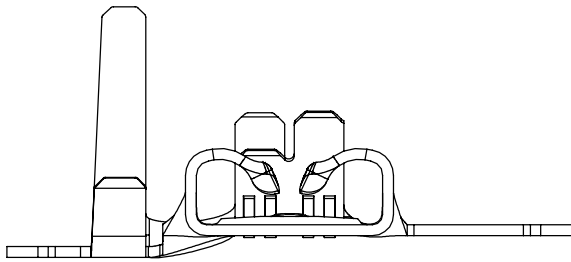
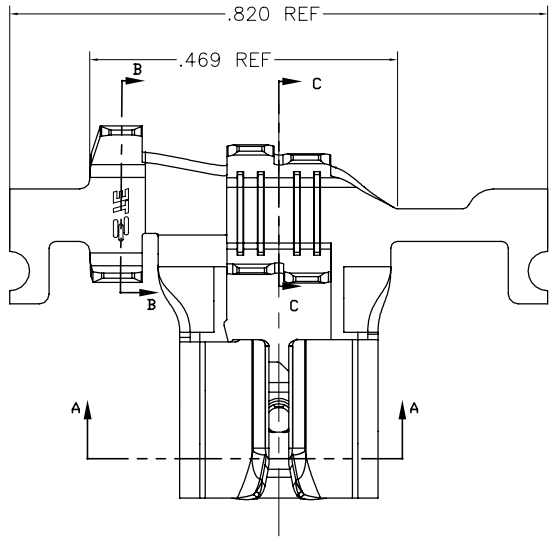
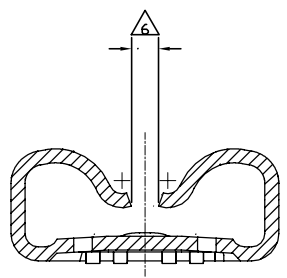
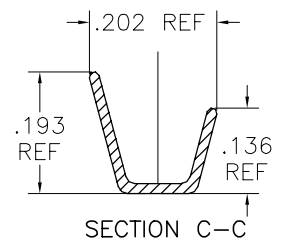
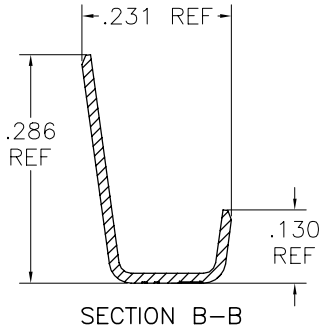
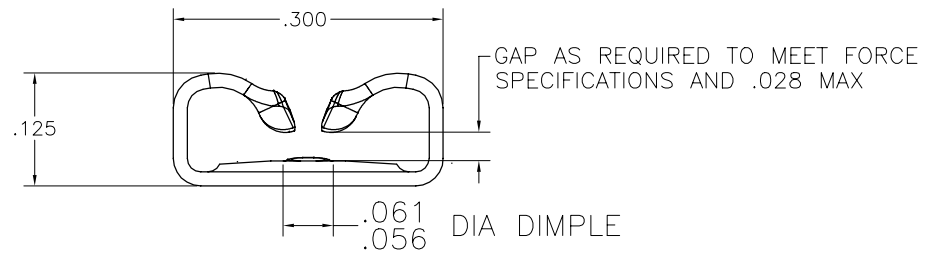


REVISIONS				
F	LW	DESCRIPTION	DATE	BY / APP'D
A1		REVISED PER ECR-18-013271	06SEP2018	EDA / DH
A2		REVISED PER ECR-20-009164	16JUL2020	MK / DH



- 1 CONTINUOUS STRIP ON REELS.
- 2 WIRE SIZE IS 22-12 AWG
- 3 INSULATION RANGE IS [.074 - .157]
- 4 MATING TAB THK IS .033 - .030
- 5 NOTE NOT USED
- 6 CONTACT ROLLS TO NOT TOUCH EACH OTHER.



SECTION A-A

TIN PLATED		BRASS	2238171-3
TIN-PLATED		BRASS	2238171-1
FINISH		MATERIAL	PART NUMBER
OBSOLETED/SUPERSEDED BY 2238171-3			
THIS DRAWING IS A CONTROLLED DOCUMENT.		THE DESIGNER IS RESPONSIBLE FOR THE DESIGN AND THE MANUFACTURER IS RESPONSIBLE FOR THE MANUFACTURE. DAVID SHUKLA DAVID HUMPHREY TIM PING	
DIMENSIONS: INCHES		TOLERANCES UNLESS OTHERWISE SPECIFIED: DIM PING PRODUCT SPEC APPLICATION SPEC SIZE CASE CODE DRAWING NO. RESTRICTED TO	
MATERIAL		FASTON .250 STD. REC. 2D FLG AWG 22-12 TPBR A1 00779 2238171 CUSTOMER DRAWING	
		SCALE 10:1 SHEET 1 of 1 REV A2	