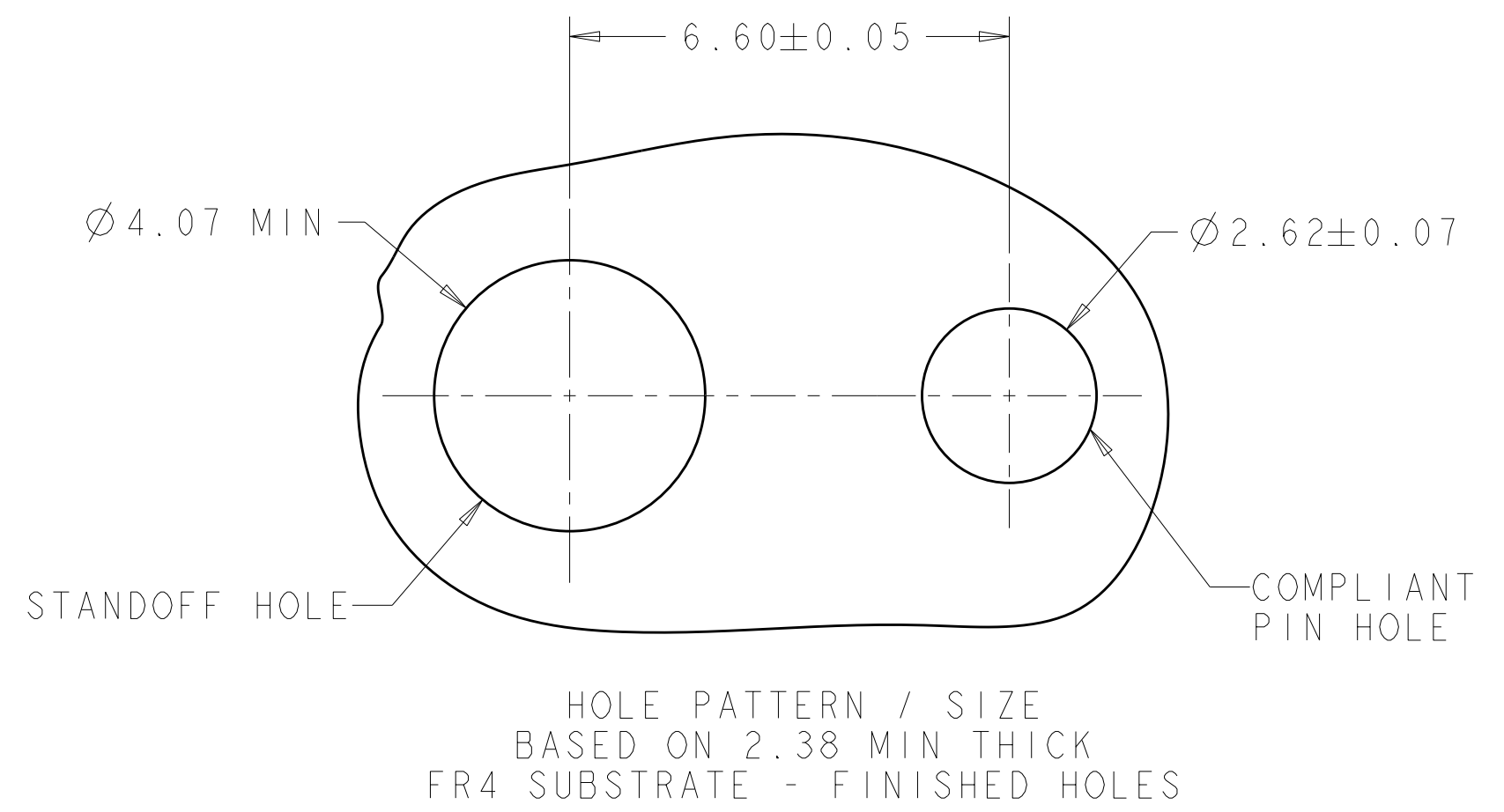
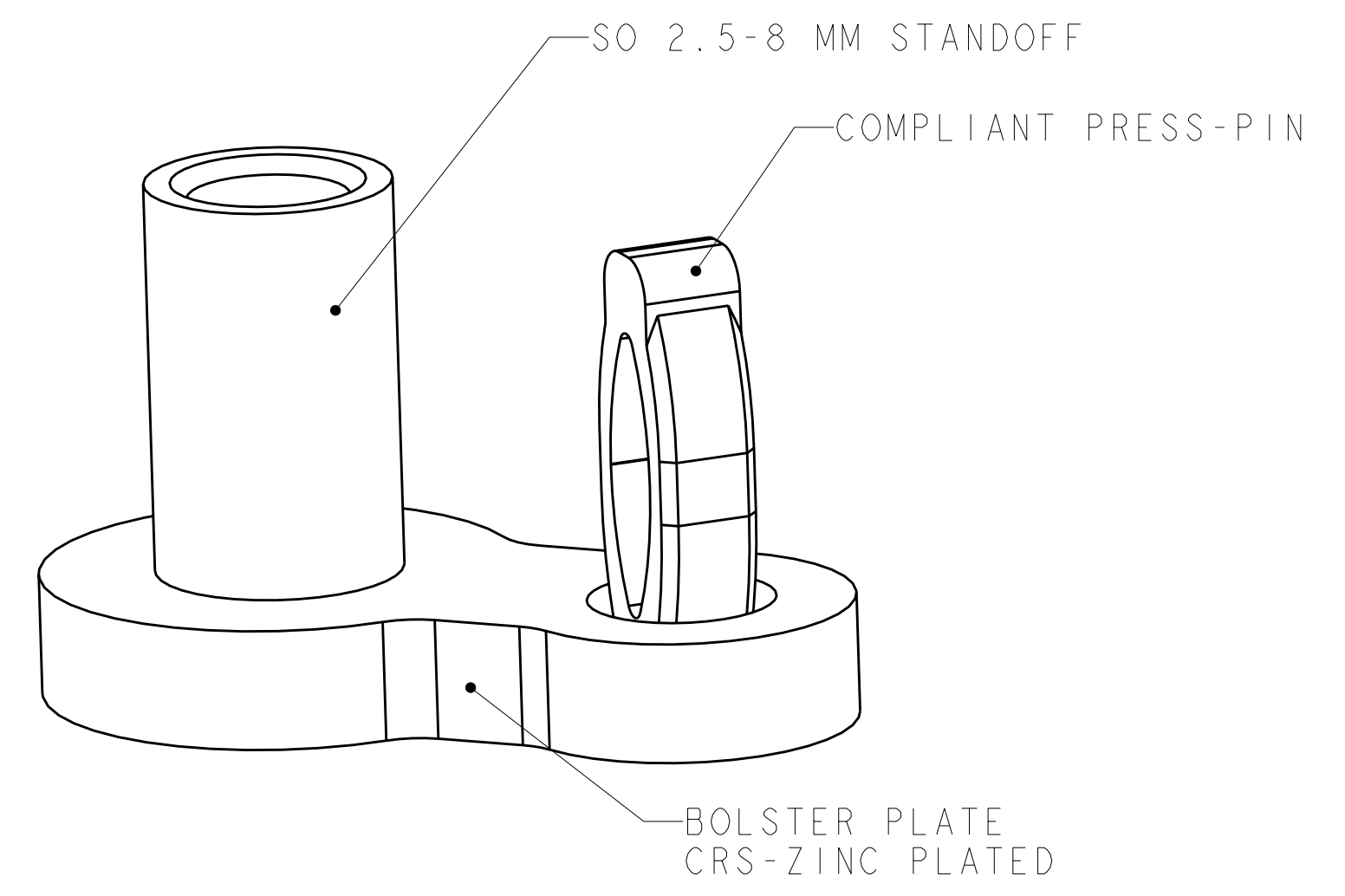
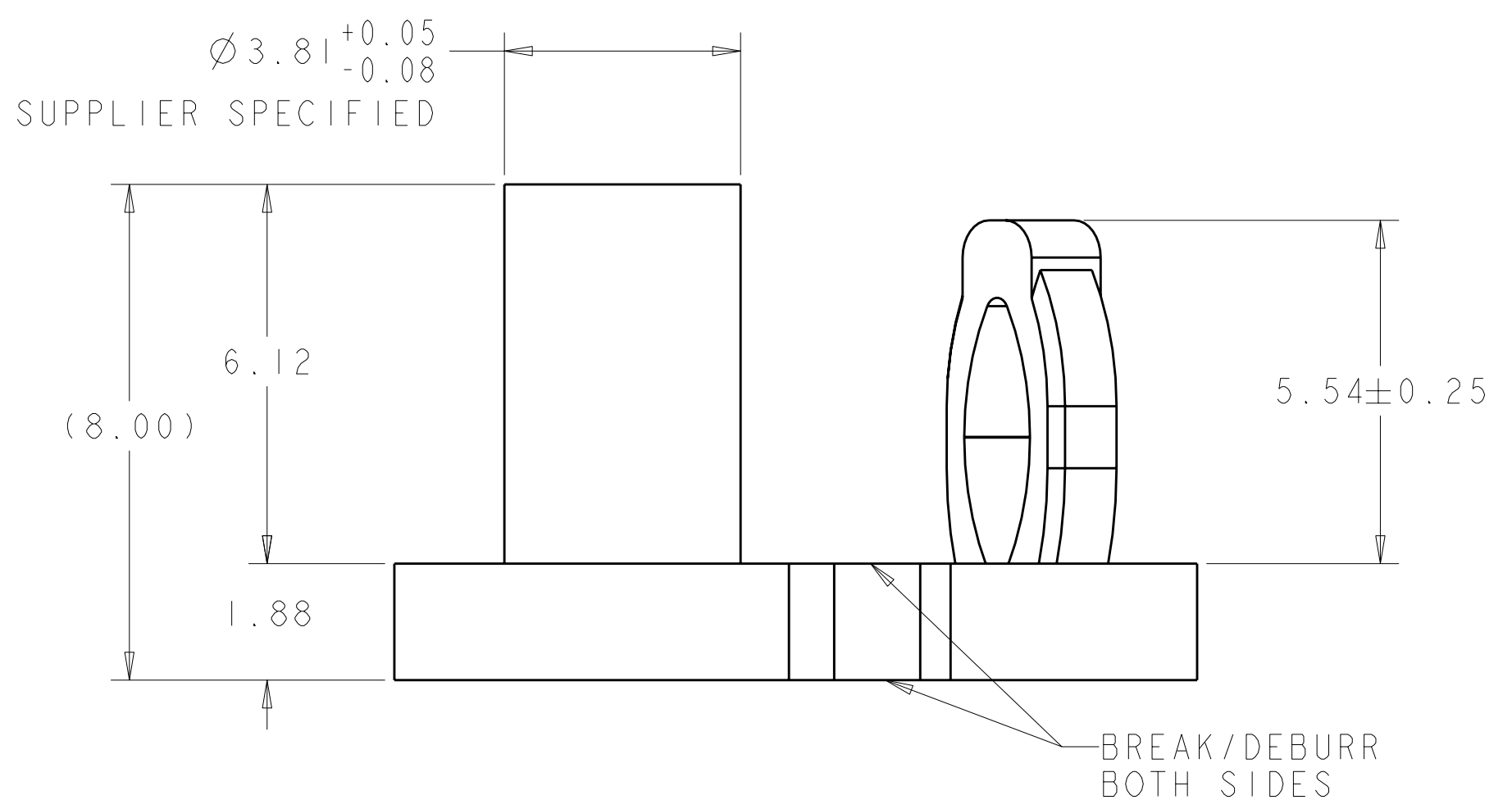
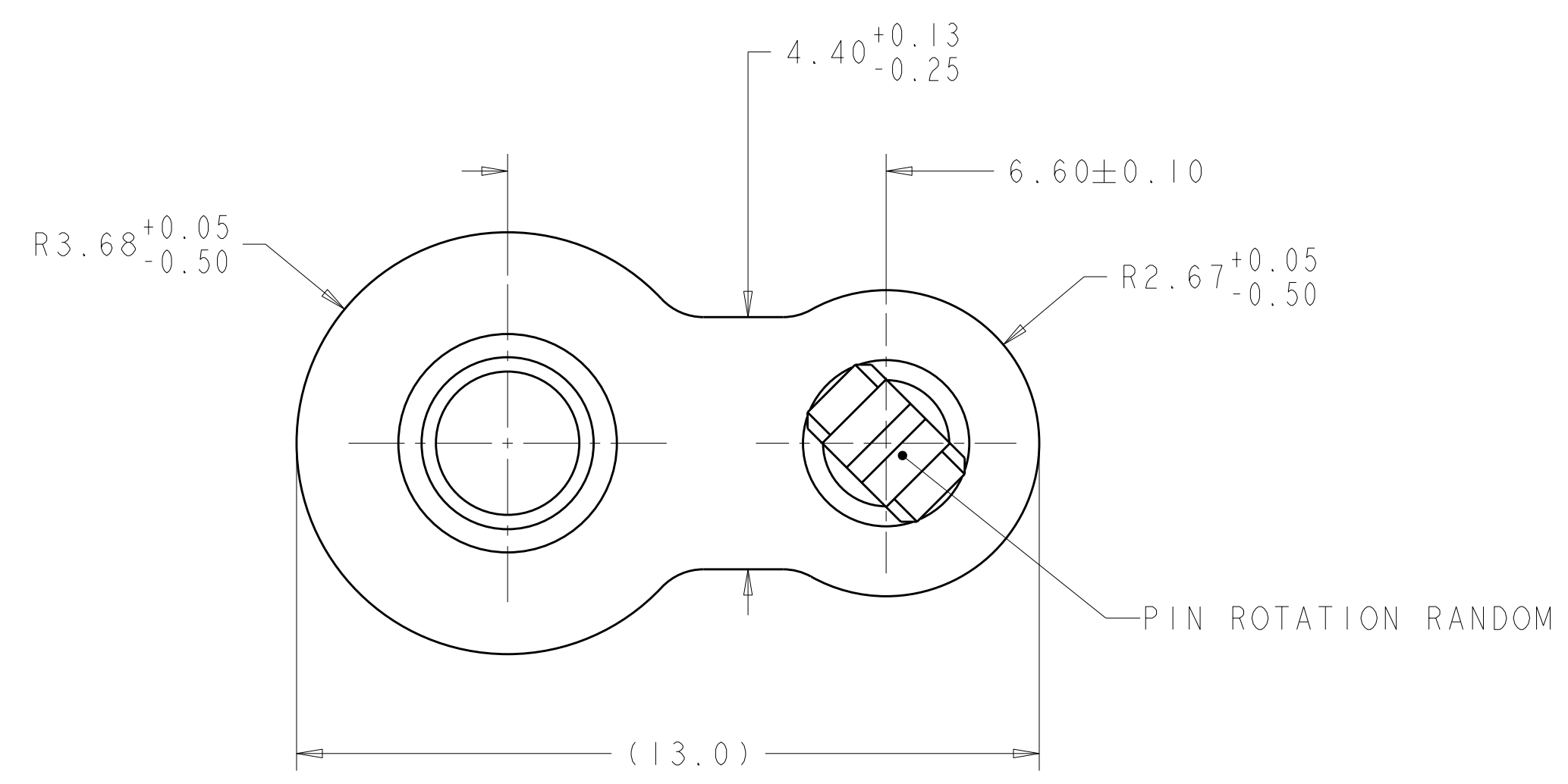


THIS DRAWING IS UNPUBLISHED. RELEASED FOR PUBLICATION 20  
 © COPYRIGHT 20 BY TYCO ELECTRONICS CORPORATION. ALL RIGHTS RESERVED.

LOC	DIST	REVISIONS					
GP	00	P	LTR	DESCRIPTION	DATE	DWN	APVD
		A		RELEASED	29FEB2008	RG	SF
		C		REV PER ECO-08-007075	20MAR2008	RG	SF



1. A REFERENCE DIMENSION (X.XX) IS WITHOUT TOLERANCE AND USED FOR INFORMATION ONLY.
2. ITEMS PROVIDED TO THIS SPECIFICATION TO BE BAGGED AND TAGGED IDENTIFIED PER THE FOLLOWING IDENTIFIER:

TYCO ELECTRONICS P/N: XXXXXXXX-X  
 DATE CODE (e.g. 0025): YEAR 1 WEEK 1  
 XXXX

AS SHOWN	1651416-1
DESCRIPTION	PART NUMBER

THIS DRAWING IS A CONTROLLED DOCUMENT FOR TYCO ELECTRONICS CORPORATION. IT IS SUBJECT TO CHANGE AND THE CONTROLLING ENGINEERING ORGANIZATION SHOULD BE CONTACTED FOR THE LATEST REVISION.		DWN: R.GRZYBOWSKI 29FEB2008	Tyco Electronics Harrisburg, PA 17105-3608	
DIMENSIONS: mm		CHK: S.FLICKINGER 29FEB2008	NAME: HARDWARE FASTENER MINI-BOLSTER PLATE	
TOLERANCES UNLESS OTHERWISE SPECIFIED:		APVD: S.FLICKINGER 29FEB2008	SIZE: A2	
0 PLC ±	1 PLC ±0.25	PRODUCT SPEC	CAGE CODE: 200779	DRAWING NO: 1651416
2 PLC ±0.13	3 PLC ±	APPLICATION SPEC	RESTRICTED TO	
4 PLC ±	ANGLES ±2	WEIGHT	SCALE: 10:1	SHEET 1 OF 1
MATERIAL	FINISH	CUSTOMER DRAWING	REV: C	