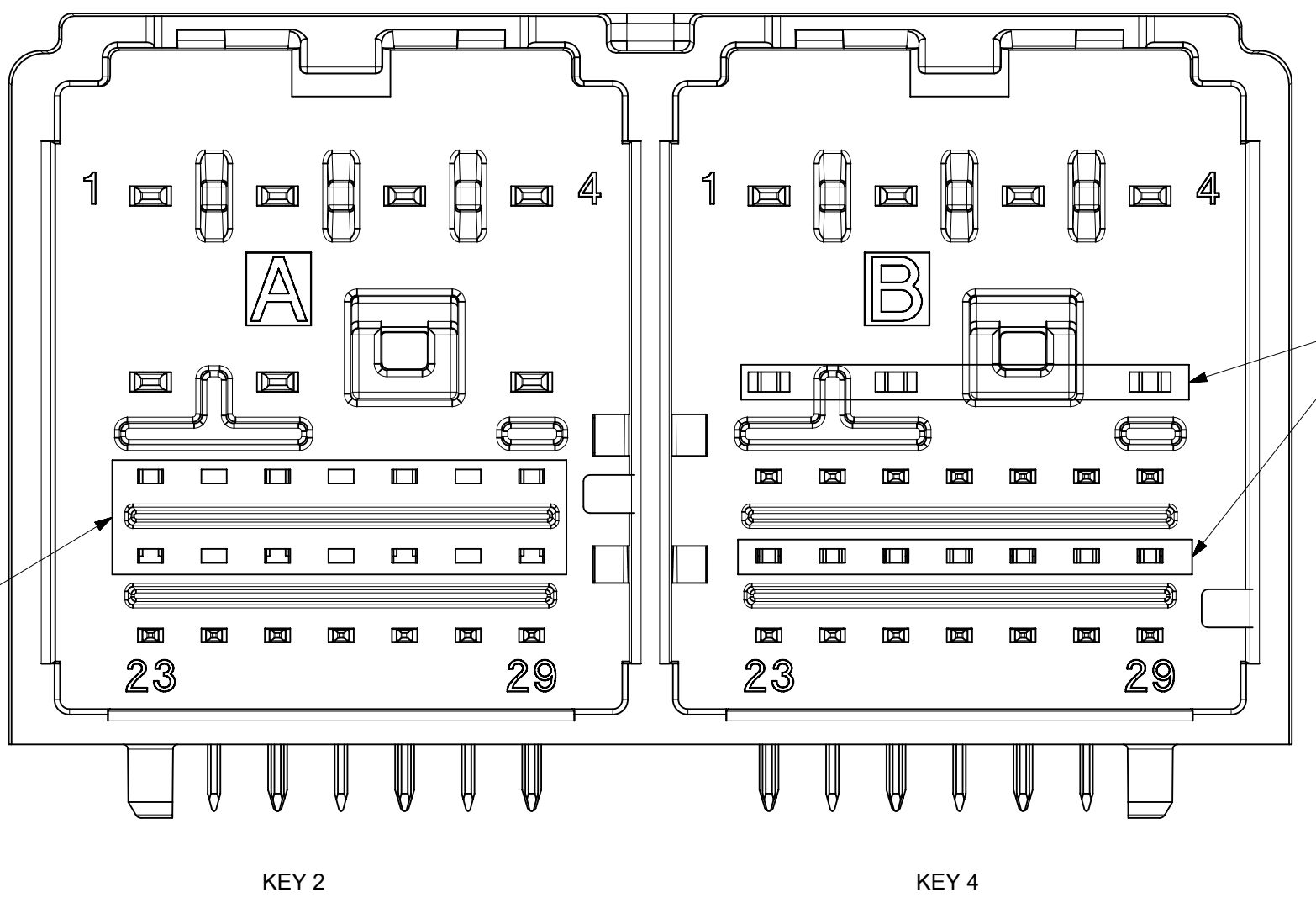
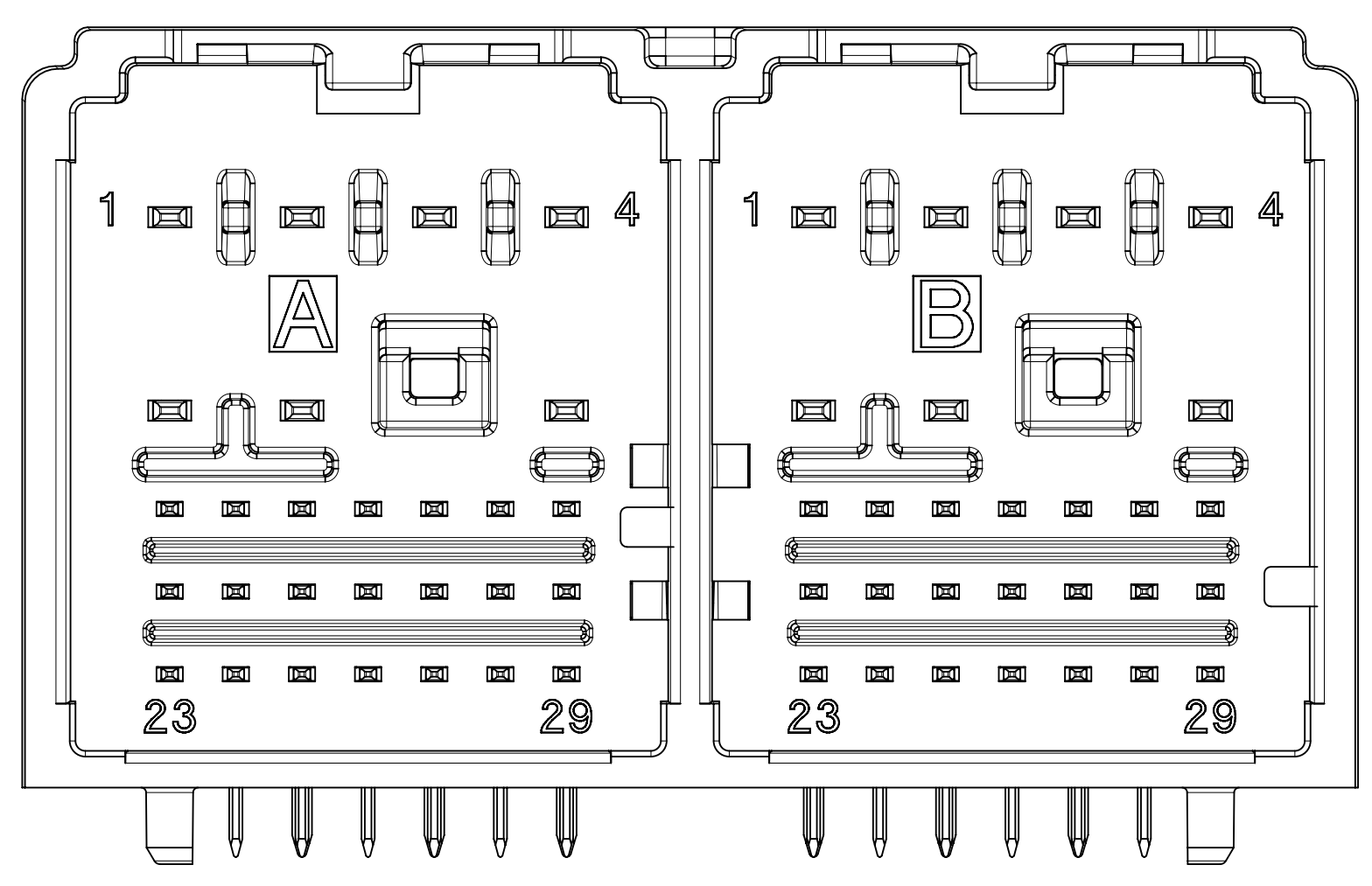


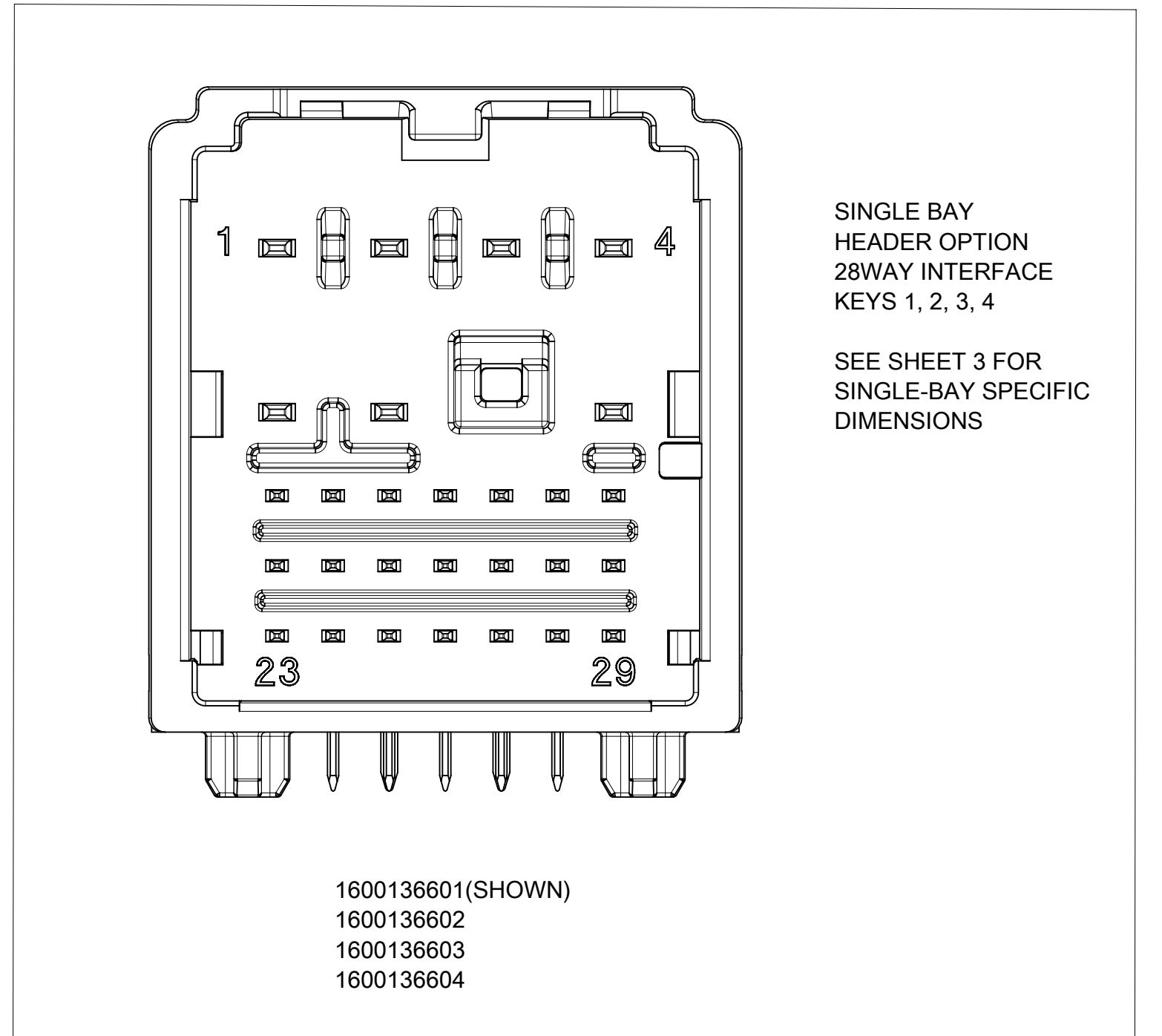
160013X641
1600133741
1600133841
1600134141
1600134641



1600131624 (DEPOPULATED AS SHOWN)
1600133624 (USES FULL POPULATION)
1600133724 (USES FULL POPULATION)
1600133824 (USES FULL POPULATION)



160013X623

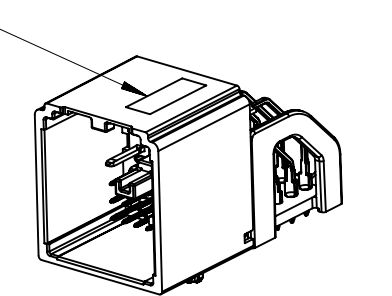


SINGLE BAY
HEADER OPTION
28WAY INTERFACE
KEYS 1, 2, 3, 4

SEE SHEET 3 FOR
SINGLE-BAY SPECIFIC
DIMENSIONS

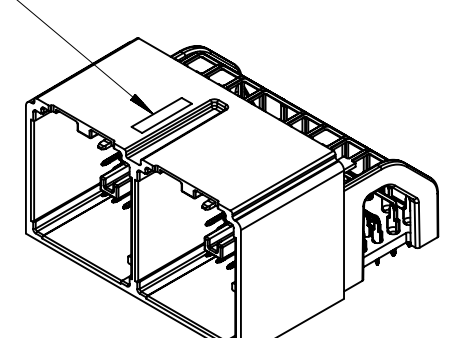
1600136601 (SHOWN)
1600136602
1600136603
1600136604

SEE NOTE 4.B.



Gen1
SCALE 1:1

SEE NOTE 4.B.

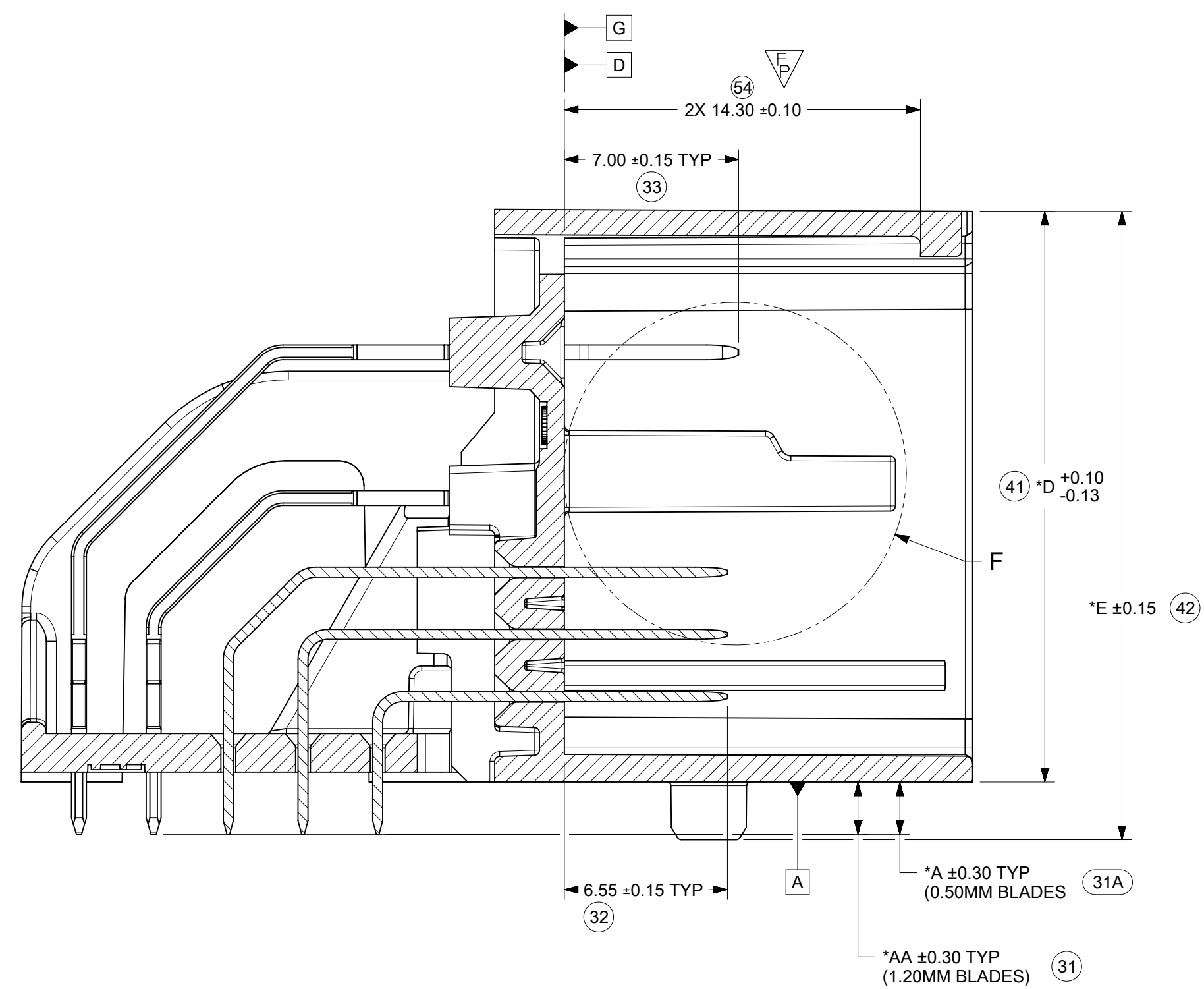


Iso1
SCALE 1:1

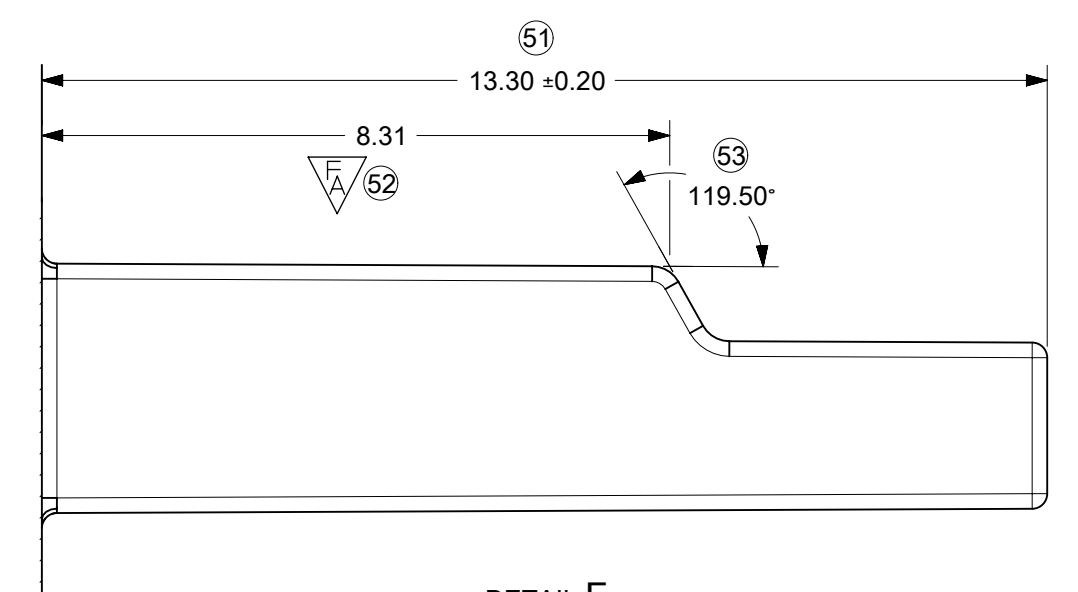
- NOTES: VALID UNLESS OTHERWISE SPECIFIED
- GENERAL:
 - APPLICATION SPECIFICATION SEE: AS-160013-001
 - PRODUCT SPECIFICATION SEE: PS-160013-001
 - PACKAGING SPECIFICATION PER BOM TABLE SHEET 4
 - DESIGN - MATERIALS:
 - SEE BOM TABLE
 - BLADE TERMINALS:
 - 0.5mm Blades
Base Material: Copper Alloy
Conductivity $\geq 28\%$ IACS @ 20°C
UNDERPLATING (OVERALL):
0.5 - 2.0 μm ELECTRO-DEPOSITED DUCTILE NICKEL SULFAMATE
OVERPLATING (OVERALL):
0.76 - 1.5 μm ELECTRO-DEPOSITED TIN (REFLOWED)
 - 1.2mm Blades
Base Material: Copper Alloy
Conductivity $\geq 28\%$ IACS @ 20°C
UNDERPLATING (OVERALL):
1.25 - 2.25 μm ELECTRO-DEPOSITED DUCTILE NICKEL SULFAMATE
TOP PLATING:
ZONE A (CONNECTOR END):
0.76 - 1.5 μm ELECTRO-DEPOSITED TIN REFLOWED
ZONE B (PCB END):
2.5 - 4.0 μm ELECTRO-DEPOSITED MATTE TIN (NO BRIGHTENERS)
 - DESIGN - GEOMETRY:
 - ALL GRAPHIC DATA IS BASIC (NO TOLERANCE) AND MUST BE TAKEN FROM THE DATA FILE AT ITS LATEST REVISION.
 - PRODUCT DESIGN MODEL NUMBER(S): SEE BOM TABLE
 - GEOMETRIC DIMENSIONS AND TOLERANCES PER ASME Y14.5-2009
 - EDGES AND UNDIMENSIONED DETAILS PER ISO13715
 - CORNERS SHOWN AS SHARP TO BE R 0.2 MAX.
 - LETTERING SHALL BE MAX POSSIBLE FOR READABILITY.
THIS INCLUDES RECYCLING CODE, CAVITY ID, VENDOR IDENTIFICATION
 - FOR BAY/POCKET DEFINITION SEE MOLEX INTERFACE DRAWING SD-160014-002, FOR ANY CONFLICTING DIMENSIONS OR TOLERANCES, SD-160013-0001 IS THE OVERRIDING DOCUMENT.
 - MATING HARNESS CONNECTORS MOLEX PN: 1600140001 (Key 1)
1600140002 (Key 2)
1600140003 (Key 3)
1600140004 (Key 4)
 - DESIGN - MANUFACTURING:
 - VISUAL DEFECTS SHALL MEET COSMETIC STANDARD PS-45499-002 (Class B)
 - HUMAN READABLE LASER MARKING
 - INFORMATION
DDDD: JULIAN DATE CODE
XXXX: 5 DIGIT SERIAL NO.
 - SIZE
HUMAN LEGIBLE
 - PIN MATE SIDE AND PCB SIDE TRUE POSITION TO BE VERIFIED ON-LINE WITH A GO/NO-GO FUNCTIONAL GAGE
 - REFLOW SOLDERABILITY PER SMES-152

A19	RELEASED 56CKT V0 KEY 2 / KEY 4 HEADERS 1600133724 AND 1600133824 ECN#: 664151 J. PATE 05/17/2021
A18	PRODUCTION RELEASE OF V0 HEADER ASSEMBLIES ECN#: 648090 J. PATE 10/23/2020
A17	- ADDED V0 HEADER ASSEMBLIES - REMOVED OBSOLETE BOMS ENGINEERING RECORD: 636592 JPATE 04/05/2020

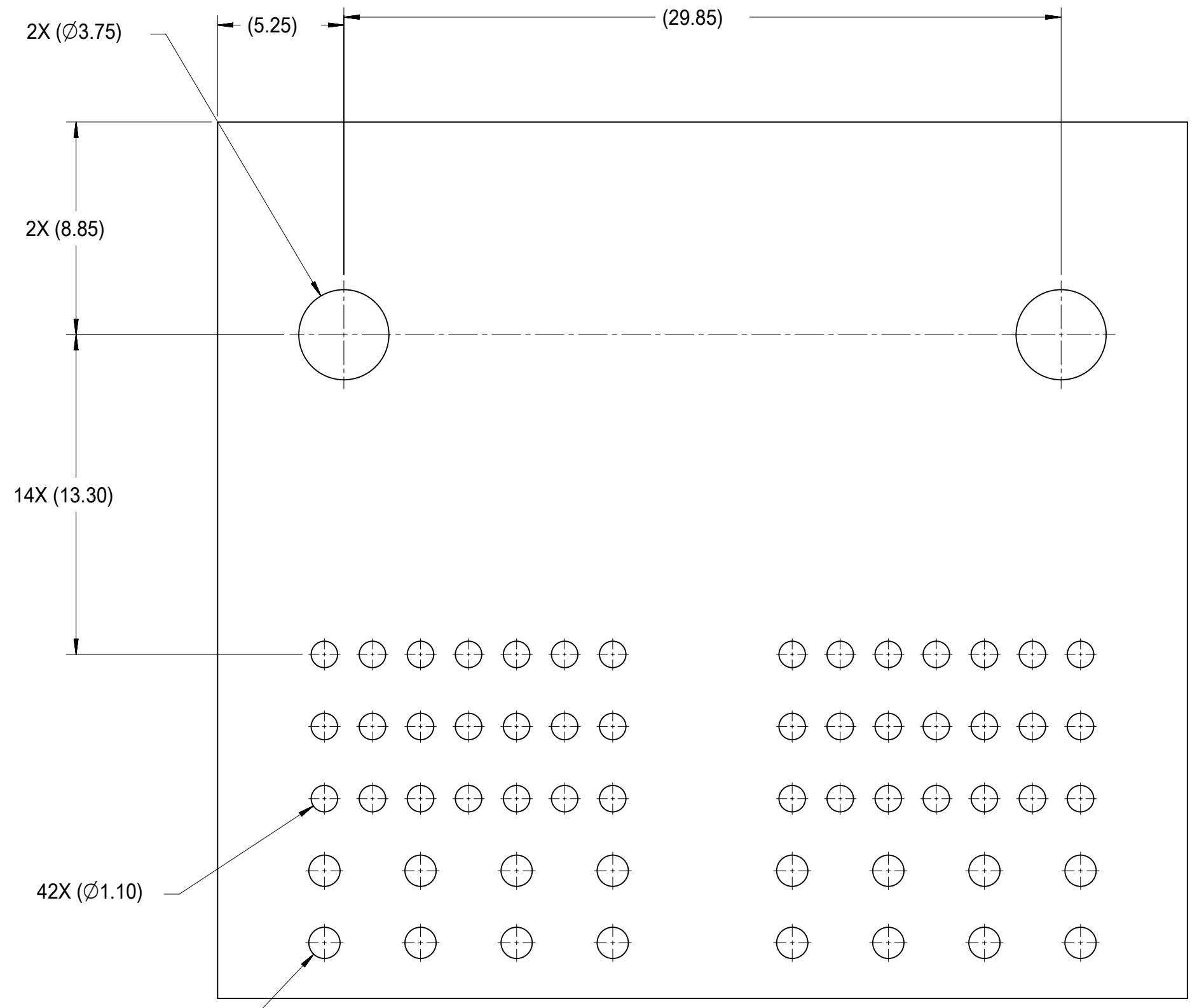
SYMBOLS	THIS DRAWING CONTAINS INFORMATION THAT IS PROPRIETARY TO MOLEX ELECTRONIC TECHNOLOGIES, LLC AND SHOULD NOT BE USED WITHOUT WRITTEN PERMISSION		CURRENT REV DESC: RELEASED PART NUMBERS 1600133724 AND 1600133824 FOR SALE				
	DIMENSION UNITS	SCALE					
$\nabla = 0$	mm	5:1	DRWN: JPATE01 2021/05/17		INFOTAINMENT HDR ASSY STAK50H SYSTEM		
$\nabla = 0$	GENERAL TOLERANCES (UNLESS SPECIFIED)		CHK'D: DLANGOLF 2021/05/18				
$\nabla = 0$	ANGULAR TOL $\pm 3.0^\circ$		APPR: JCONDON 2021/05/19		PRODUCT CUSTOMER DRAWING		
$\nabla = 0$	4 PLACES \pm		INITIAL REVISION:				
$\nabla = 0$	3 PLACES \pm		DRWN: JCONDON 2013/12/11		DOCUMENT NUMBER SD-160013-0001		
$\nabla = 0$	2 PLACES ± 0.13		APPR: KDEKOSKI 2014/06/26				
$\nabla = 0$	1 PLACE ± 0.25		DRAFT WHERE APPLICABLE MUST REMAIN WITHIN DIMENSIONS		PSD	001	A19
$\nabla = 0$	0 PLACES \pm		THIRD ANGLE PROJECTION		MATERIAL NUMBER CUSTOMER SHEET NUMBER		
$\nabla = 0$	DRAFT WHERE APPLICABLE MUST REMAIN WITHIN DIMENSIONS		DRAWING SERIES				
$\nabla = 0$	DRAFT WHERE APPLICABLE MUST REMAIN WITHIN DIMENSIONS		D-SIZE 160013				



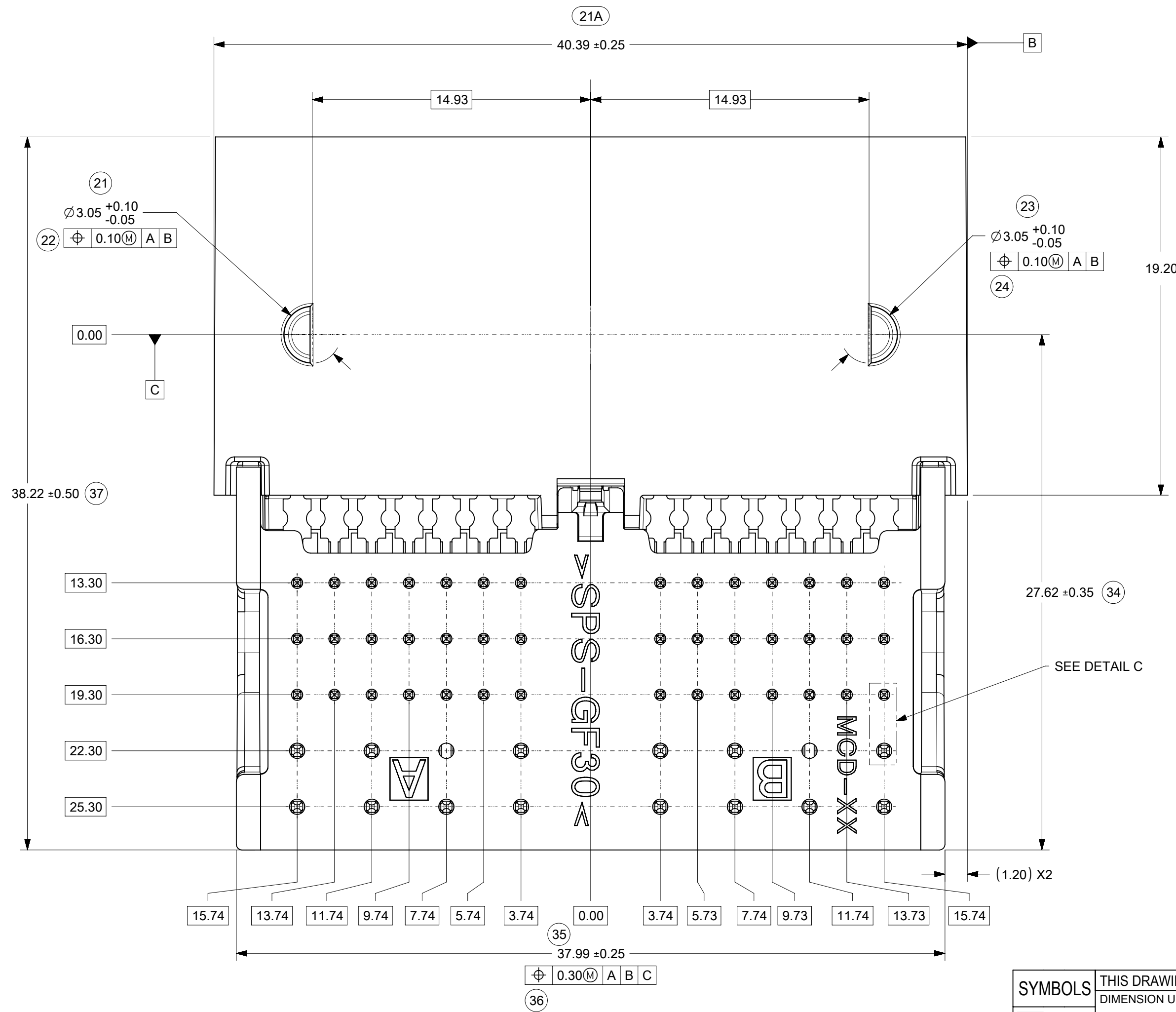
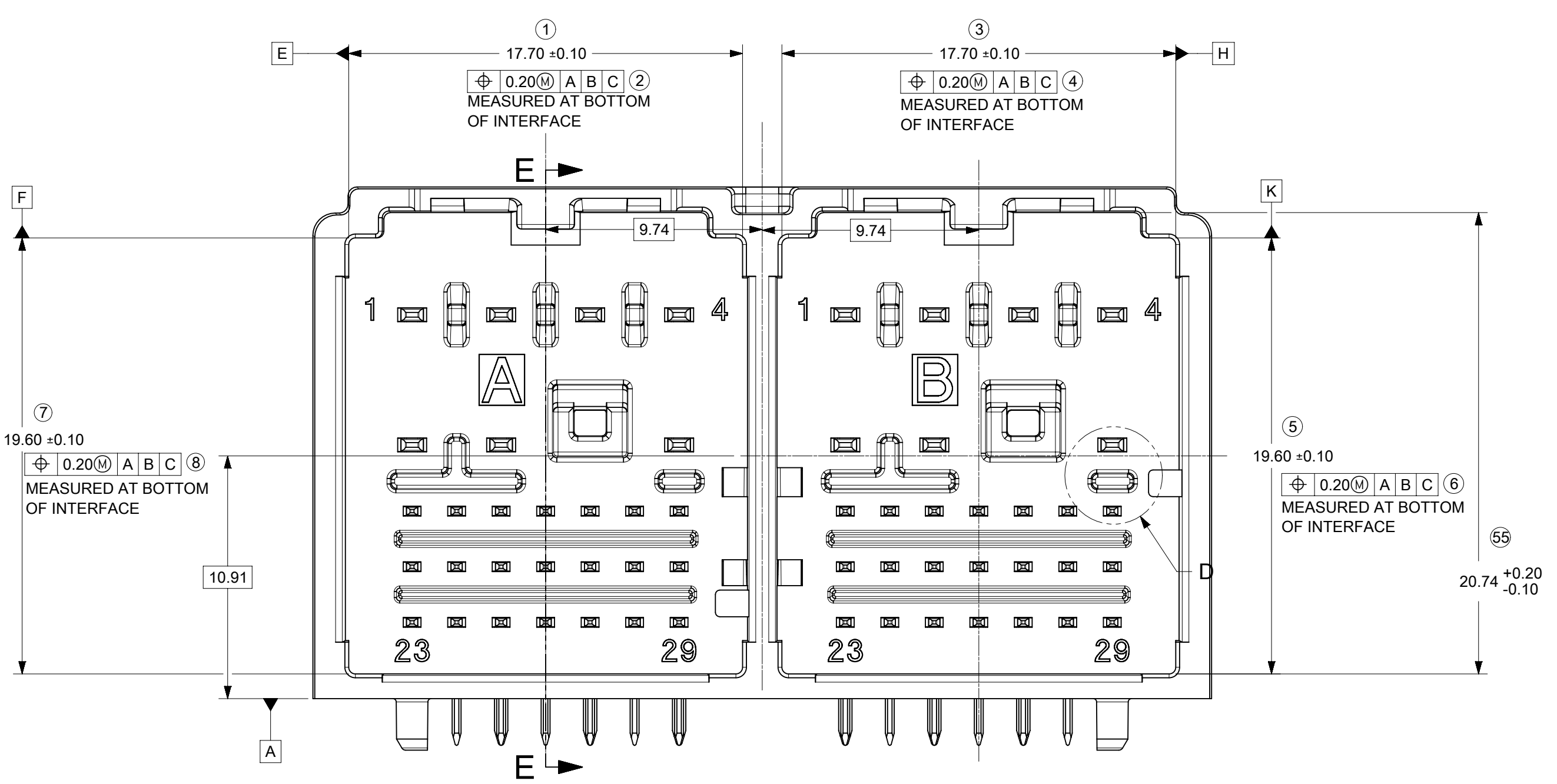
SECTION E-E



DETAIL F
SCALE 10:1



PCB LAYOUT
FOR REFERENCE



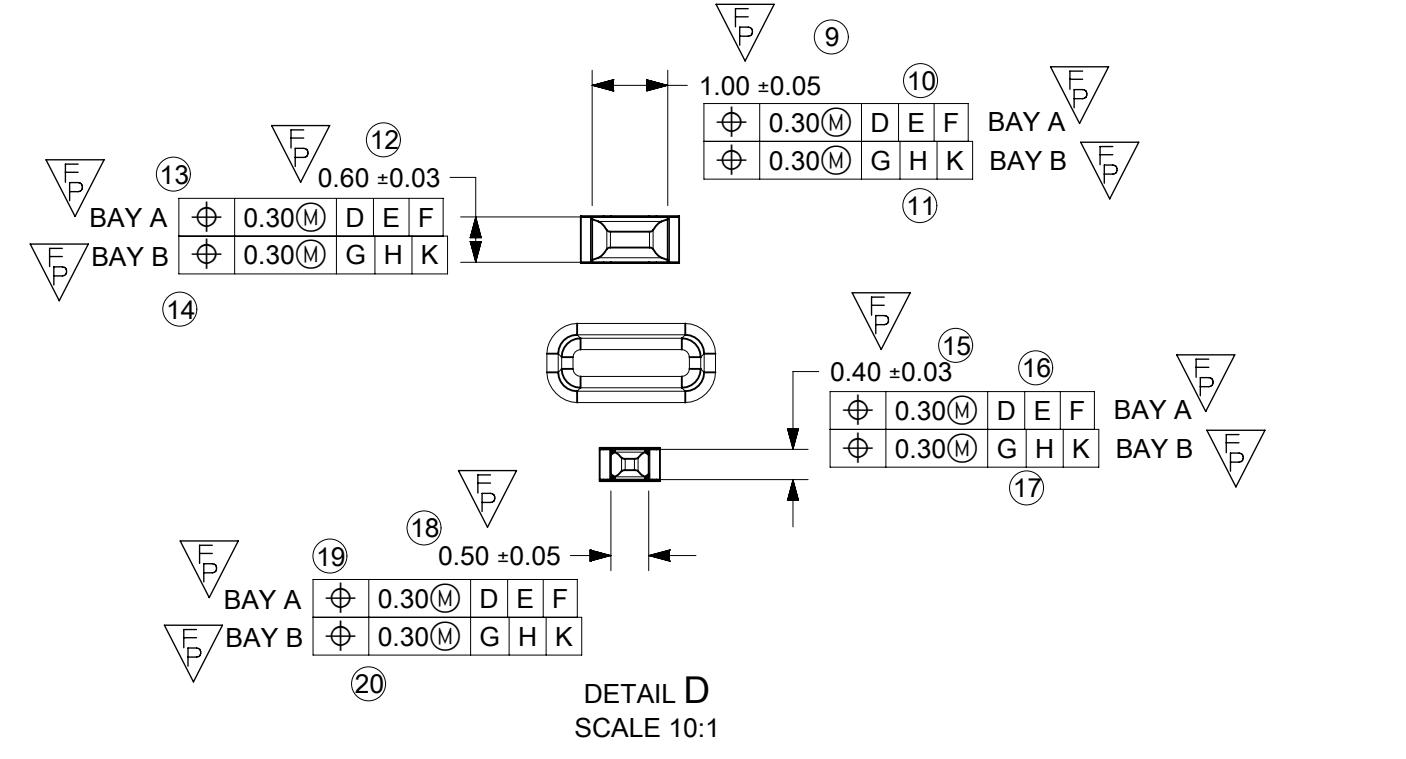
SYMBOLS		THIS DRAWING CONTAINS INFORMATION THAT IS PROPRIETARY TO MOLEX ELECTRONIC TECHNOLOGIES, LLC AND SHOULD NOT BE USED WITHOUT WRITTEN PERMISSION	
DIMENSION UNITS	SCALE	CURRENT REV DESC: RELEASED PART NUMBERS 1600133724 AND 1600133824 FOR SALE	
$\nabla = 0$	mm	5:1	
$\nabla = 4$	GENERAL TOLERANCES (UNLESS SPECIFIED)		
$\nabla = 0$	ANGULAR TOL	$\pm 3.0^\circ$	
$\nabla = 0$	4 PLACES	\pm	
$\nabla = 0$	3 PLACES	\pm	
$\nabla = 0$	2 PLACES	± 0.13	
$\nabla = 0$	1 PLACE	± 0.25	
$\nabla = 0$	0 PLACES	\pm	
$\square = 0$	DRAFT WHERE APPLICABLE MUST REMAIN WITHIN DIMENSIONS		
$\nabla = 0$	THIRD ANGLE PROJECTION	DRAWING	SERIES
$\nabla = 0$		D-SIZE	160013

EC NO: 664151	2021/05/17
DRWN: JPATE01	2021/05/17
CHK'D: DLANGOLF	2021/05/18
APPR: JCONDON	2021/05/19
INITIAL REVISION:	
DRWN: JCONDON	2013/12/11
APPR: KDEKOSKI	2014/06/26

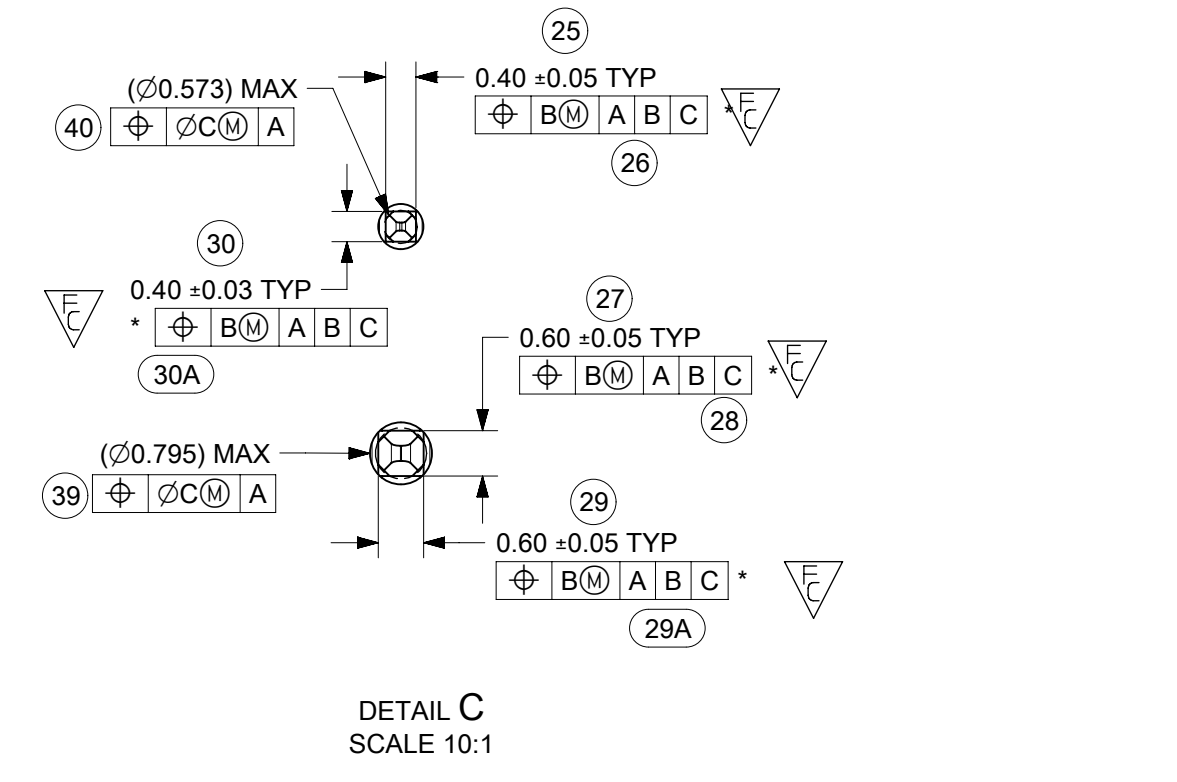
PRODUCT CUSTOMER DRAWING	
DOCUMENT NUMBER	DOC TYPE DOC PART REVISION
SD-160013-0001	PSD 001 A19
MATERIAL NUMBER	CUSTOMER
SEE CHART	GENERAL MARKET
SHEET NUMBER	
2 OF 4	

HEADER ASSEMBLY OPTIONS						
PART NUMBER	DIM A*	DIM AA*	DIM B*	DIM C*	DIM *D	DIM *E
1600130641	2.1	2.1	0.40	0.37	22.92	25.23
1600132641	2.1	2.1	0.40	0.37	22.92	25.23
1600130623	2.1	2.1	0.40	0.37	22.92	25.23
1600132623	2.1	2.1	0.40	0.37	22.92	25.23
1600131624	2.5	2.5	0.53	0.50	22.92	25.23
1600133641	2.5	2.5	0.53	0.50	22.92	25.23
1600133623	2.5	2.5	0.53	0.50	22.92	25.23
160013660X	2.5	2.5	0.53	0.50	22.92	25.23
1600134623	2.5	3.0	0.68	0.65	22.92	25.23
1600134141	2.5	3.0	0.68	0.65	22.92	25.23
1600134641	2.5	3.0	0.68	0.65	22.92	25.23
1600133624	2.5	2.5	0.53	0.50	22.92	25.23
1600133724	2.5	2.5	0.53	0.50	23.23	25.54
1600133741	2.5	2.5	0.53	0.50	22.92	25.23
1600133823	2.5	2.5	0.53	0.50	23.23	25.54
1600133824	2.5	2.5	0.53	0.50	23.23	25.54
1600133841	2.5	2.5	0.53	0.50	23.23	25.54

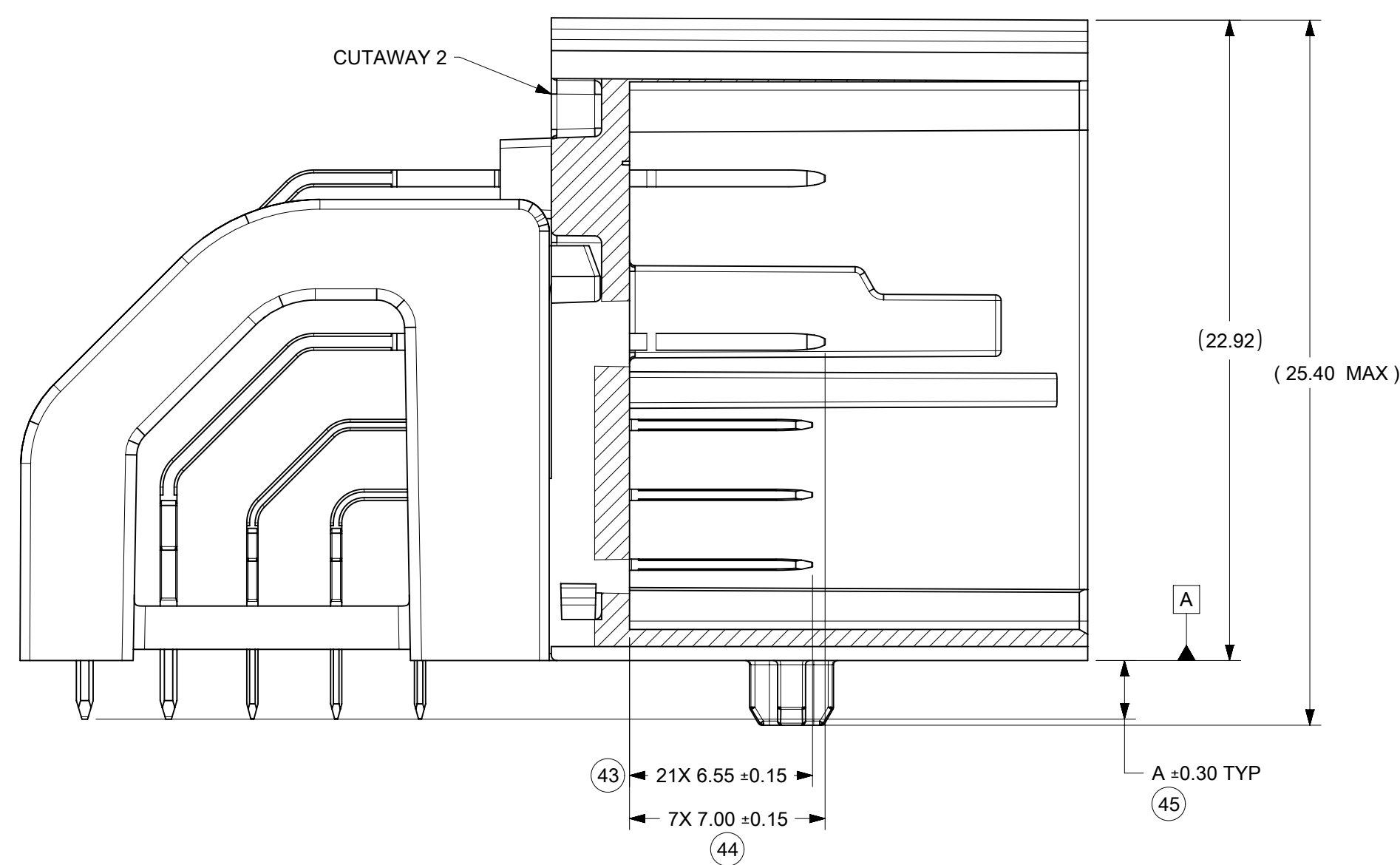
*X"=1 / 2 / 3 / 4;



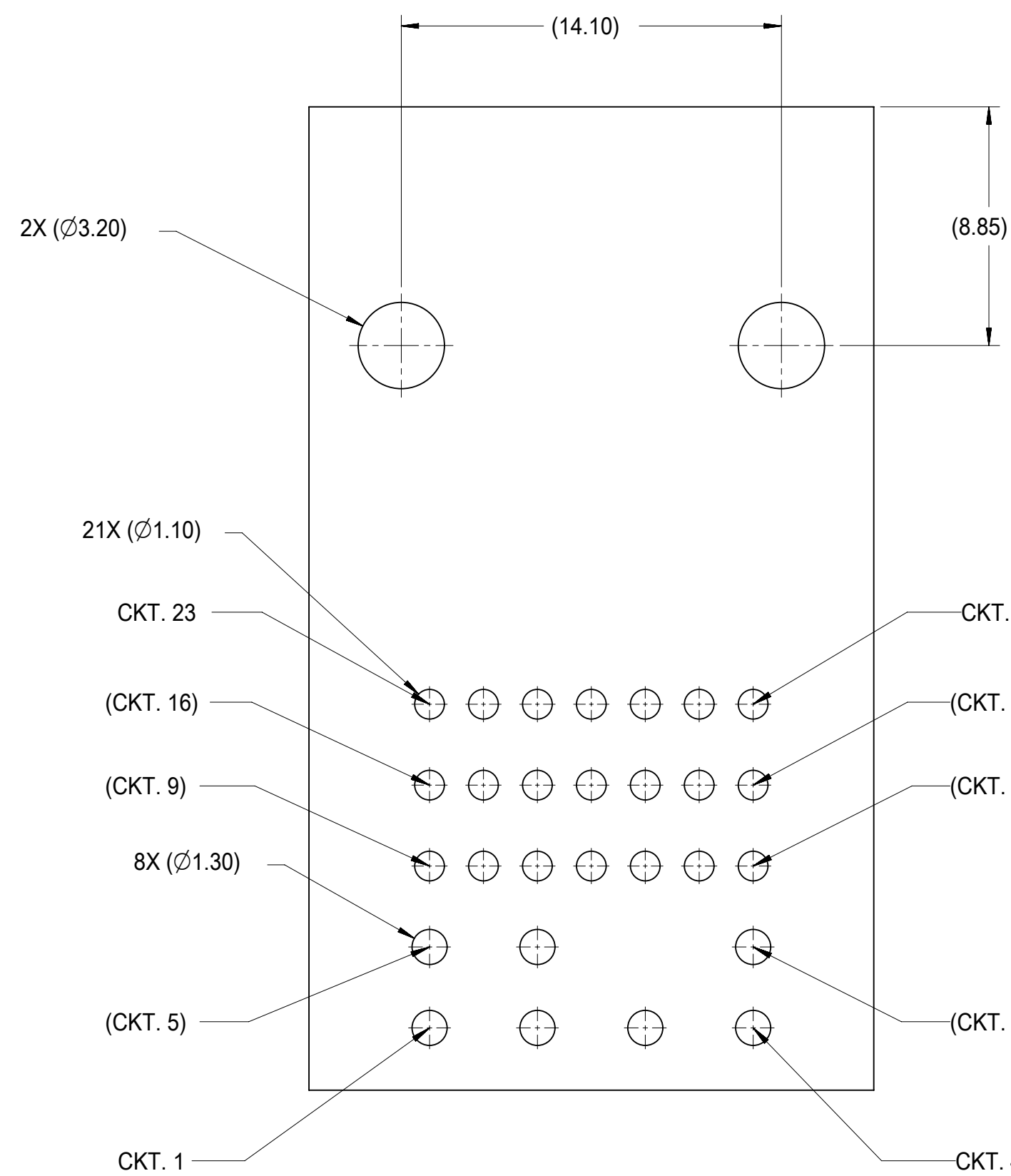
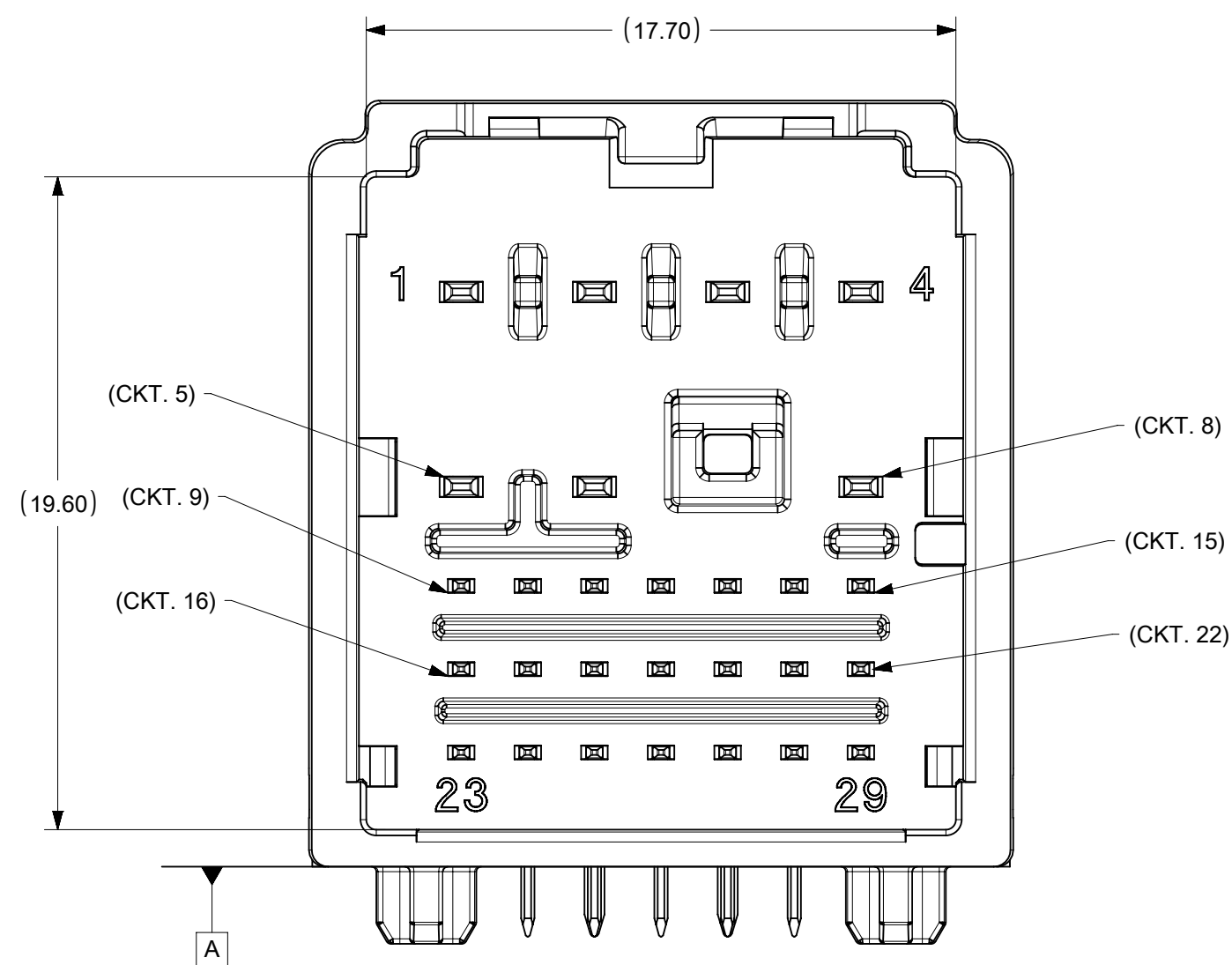
DETAIL D
SCALE 10:1



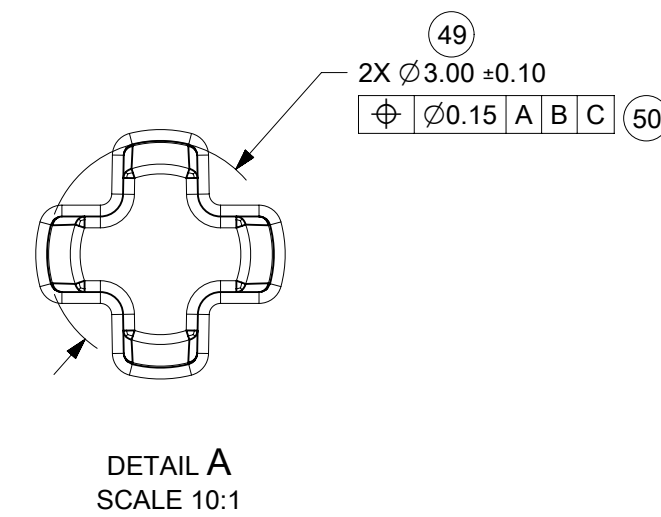
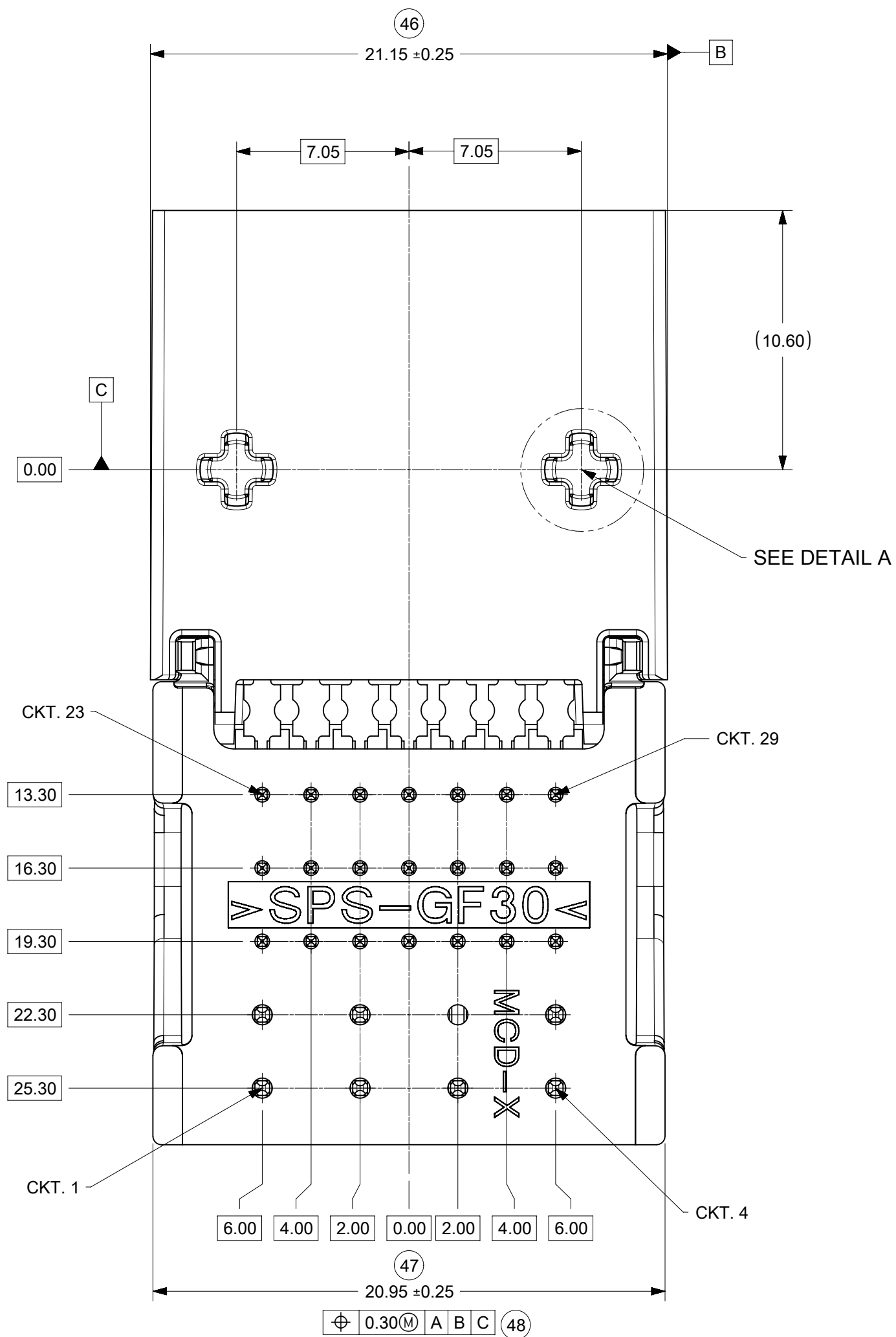
DETAIL C
SCALE 10:1



28WAY HEADER ONLY



PCB LAYOUT FOR REFERENCE ONLY



SYMBOLS	THIS DRAWING CONTAINS INFORMATION THAT IS PROPRIETARY TO MOLEX ELECTRONIC TECHNOLOGIES, LLC AND SHOULD NOT BE USED WITHOUT WRITTEN PERMISSION		
	DIMENSION UNITS	SCALE	CURRENT REV DESC: RELEASED PART NUMBERS 1600133724 AND 1600133824 FOR SALE
▽ = 0	mm	5:1	EC NO: 664151 DRWN: JPATE01 2021/05/17 CHK'D: DLANGOLF 2021/05/18 APPR: JCONDON 2021/05/19
▽ = 0	GENERAL TOLERANCES (UNLESS SPECIFIED)		
▽ = 0	ANGULAR TOL ± 3.0°		INITIAL REVISION: DRWN: JCONDON 2013/12/11 APPR: KDEKOSKI 2014/06/26
▽ = 0	4 PLACES	±	
▽ = 0	3 PLACES	±	DOCUMENT NUMBER SD-160013-0001
▽ = 0	2 PLACES	± 0.13	
▽ = 0	1 PLACE	± 0.25	DOC TYPE PSD
▽ = 0	0 PLACES	±	
▽ = 0	DRAFT WHERE APPLICABLE MUST REMAIN WITHIN DIMENSIONS		DOC PART 001
▽ = 0	THIRD ANGLE PROJECTION	DRAWING	
▽ = 0	D-SIZE	SERIES 160013	MATERIAL NUMBER SEE CHART
▽ = 0			CUSTOMER GENERAL MARKET
			SHEET NUMBER 3 OF 4

