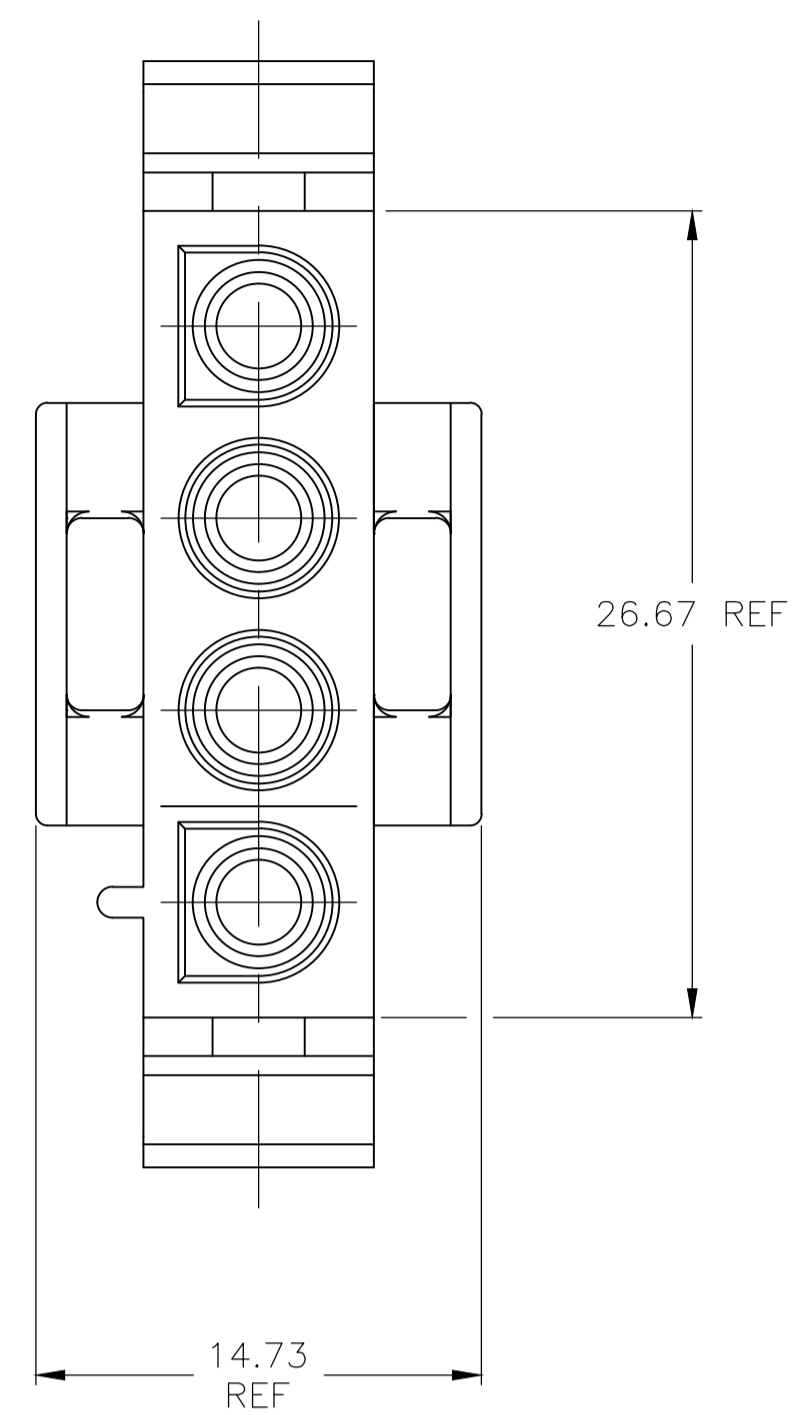
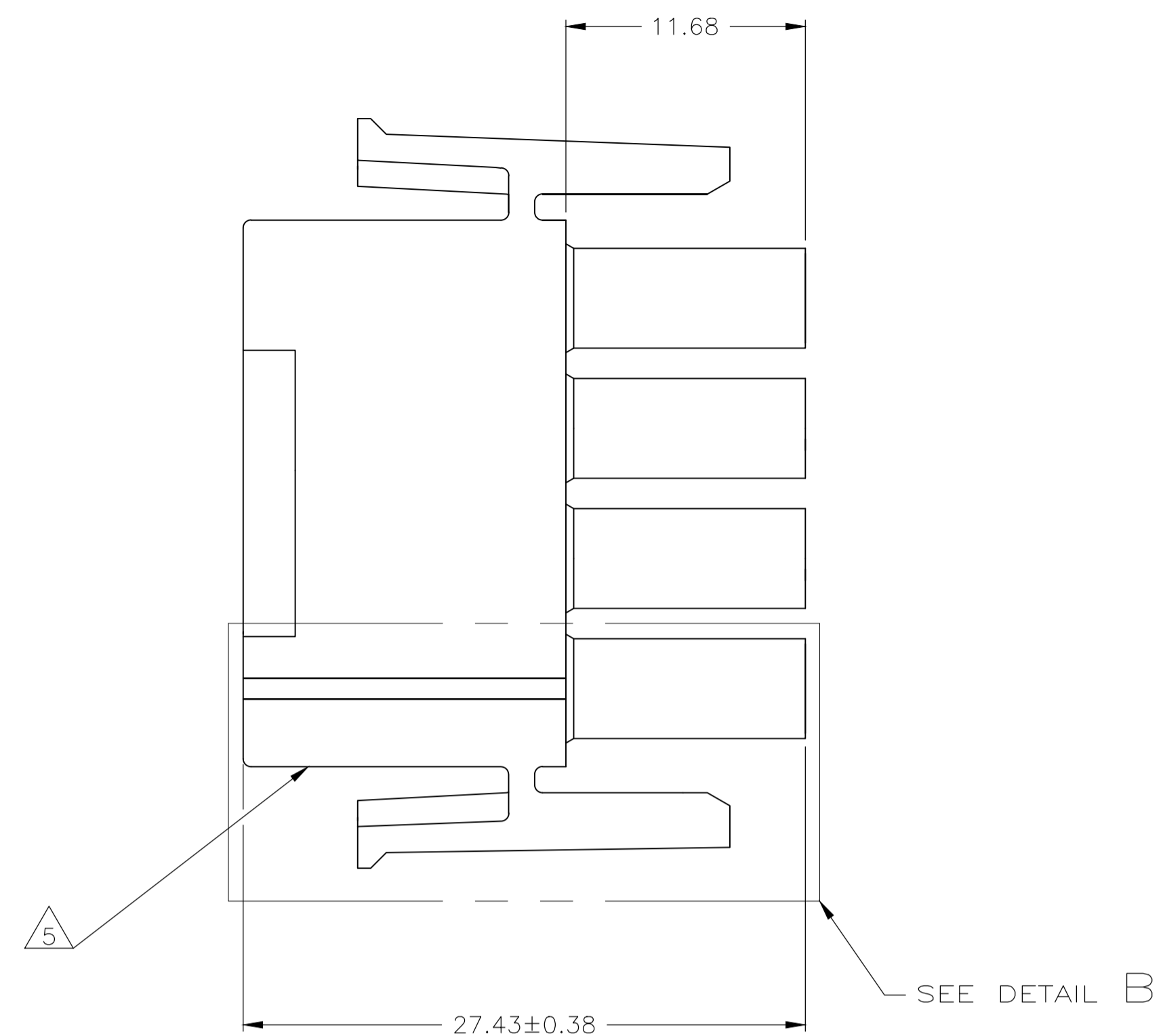
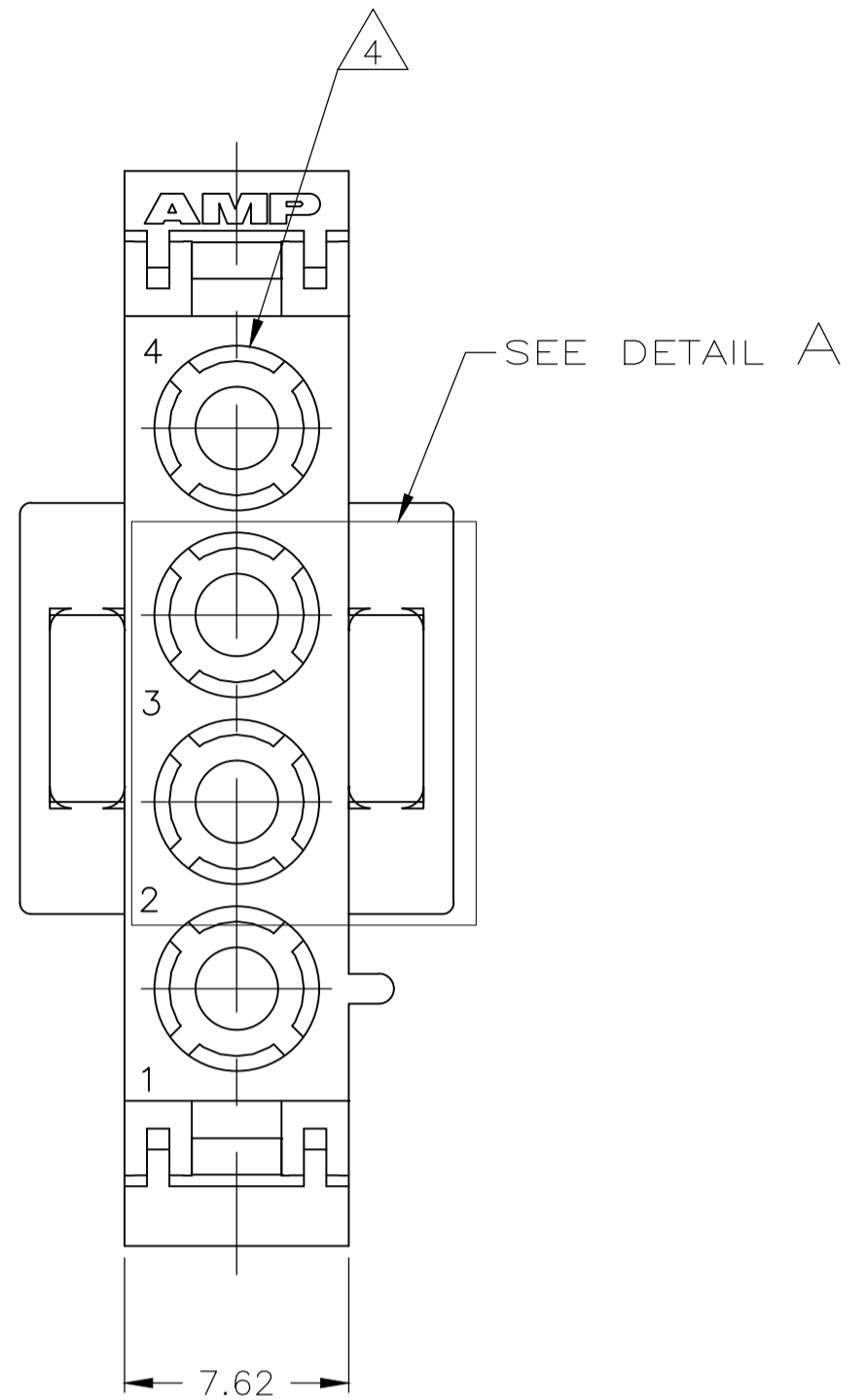
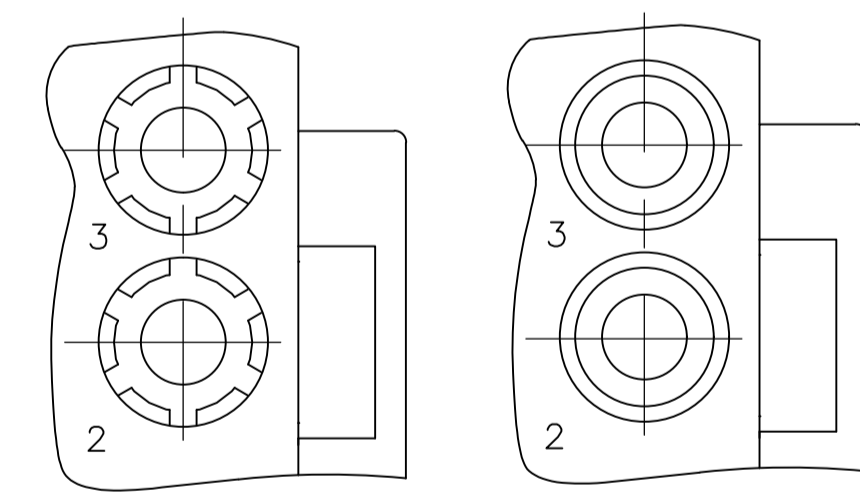
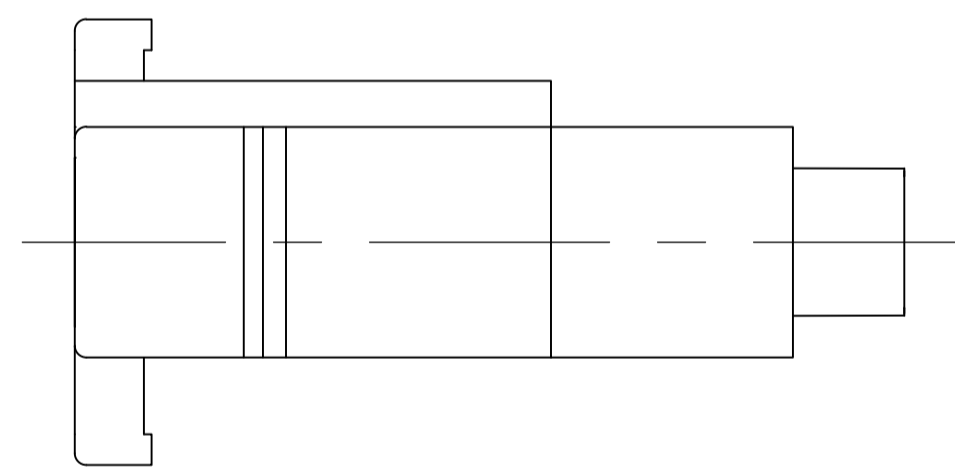


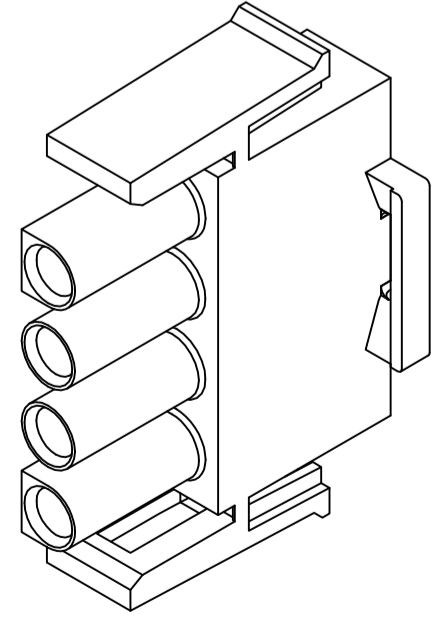
| REVISIONS | | | | | |
|-----------|-----|---------------------------|-----------|-----|------|
| P | LTR | DESCRIPTION | DATE | DMN | APVD |
| B2 | | REVISED PER ECR-20-100257 | 30JUL2020 | BDA | JS |



1. MATES WITH APPROPRIATE UNIVERSAL MATE-N-LOK™ CAP OR HEADER.
2. SMALL NICKS ARE PERMITTED ON THE CIRCUIT TOWERS WHICH COULD INCREASE THE INITIAL HOUSING MATING FORCE BY UP TO 4.4 NEWTONS [1.0 LBS]. NO INDIVIDUAL NICKED TOWER SHALL INCREASE THIS FORCE BY OVER 2.2 NEWTONS [.5 LBS].
3. DIMENSIONS SHOWN REPRESENT PRODUCT IN DRY, AS MOLDED, CONDITION. ADDITIONAL 2% GROWTH DUE TO SUBSEQUENT MOISTURE ABSORPTION MAY OCCUR AND SHOULD BE ACCOUNTED FOR.
4. FOUR RIBS EQUALLY SPACED, NO SPECIFIC ORIENTATION. NO RIBS OR SIX RIBS EQUALLY SPACED, NO SPECIFIC ORIENTATION, OPTIONAL.
5. UNDERWRITERS RECOGNIZED COMPONENT LOGO AND CSA CERTIFICATION LOGO TO BE LOCATED ONCE EACH ON SIDE OF HOUSING.
6. FLAMMABILITY V2 FOR THICKNESS 0.38mm, 1.5mm, and 3.0mm PER IEC 60695-11-10.
7. GLOW-WIRE FLAMMABILITY (GWFI) 800°C FOR THICKNESS 0.38mm AND 0.75mm PER IEC 60695-2-12.
8. GLOW-WIRE FLAMMABILITY (GWFI) 960°C FOR THICKNESS 1.5mm AND 3.0mm PER IEC 60695-2-12.
9. GLOW-WIRE IGNITION (GWIT) 825°C FOR THICKNESS 0.38mm, 0.75mm, 1.5mm AND 3.0mm PER IEC 60695-2-13.



DETAIL A
OPTIONAL CONSTRUCTION



3-DIMENSIONAL MODEL
NTS

| | |
|-------|-------|
| 27.43 | 1.080 |
| 26.67 | 1.050 |
| 14.73 | .580 |
| 11.68 | .460 |
| 7.62 | .300 |
| 3 | .118 |
| 0.4 | .016 |
| 0.38 | .015 |
| 0.13 | .005 |
| MM | IN |

CONVERSION TABLE

| | |
|---------------|--------------------|
| NATURAL COLOR | 1586852-1 PART NO. |
|---------------|--------------------|

| | | | | | |
|--|--|---------------------------|--|--|--|
| THIS DRAWING IS A CONTROLLED DOCUMENT. | | DIN K. WHITAKER 19JUL2007 | | TE Connectivity | |
| DIMENSIONS: mm | | CHK D. COLEY 19JUL2007 | | NAME PLUG, 4 CIRCUIT, UNIVERSAL MATE-N-LOK(TM) | |
| TOLERANCES UNLESS OTHERWISE SPECIFIED: | | APP'D D. COLEY 19JUL2007 | | PRODUCT SPEC | |
| 0. PLC ± - | | APPLICATION SPEC | | SIZE | |
| 1. PLC ± - | | WEIGHT | | CAGE CODE | |
| 2. PLC ± 0.13 | | DRAWING NO | | DRAWING NO | |
| 3. PLC ± - | | RESTRICTED TO | | DRAWING NO | |
| 4. PLC ± - | | SCALE | | DRAWING NO | |
| ANGLES ± 0°30' | | SCALE 4:1 | | DRAWING NO | |
| FINISH - | | SHEET 1 OF 1 | | DRAWING NO | |
| MATERIAL NYLON,UL 94V-2 | | REV B2 | | DRAWING NO | |
| CUSTOMER DRAWING | | SCALE 4:1 | | DRAWING NO | |