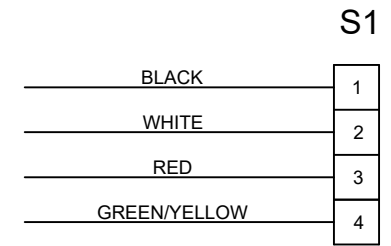
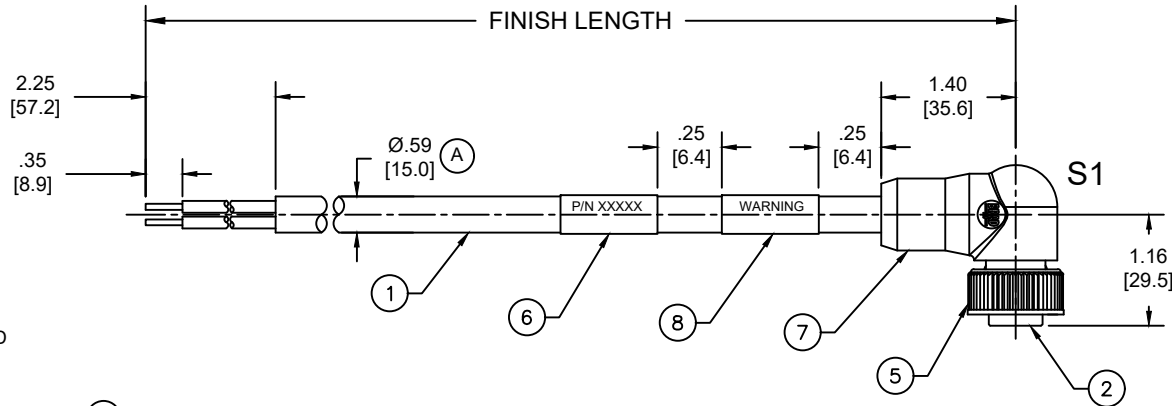
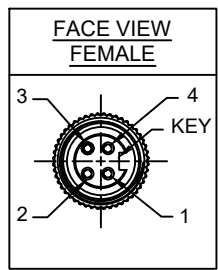


MATERIAL NUMBER	ENGINEERING NUMBER	FINISHED LENGTH
1300610110	104001A46F200	20FT [6.1M]
1300610125	104001A46M100	10M [32FT 10 IN]
1300610128	104001A46M270	27M [88FT 7 IN]

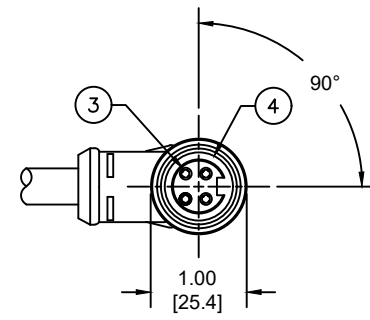
**(A) PART NUMBER LEGEND**

**104001A46F200**

LENGTH:  
 F100= 10 FEET  
 F200= 20 FEET  
 M005= 0.5 METER  
 M010= 1 METER  
 M100= 10 METER



- NOTES:**
- MATERIAL: AS NOTED
  - FINISH: AS NOTED
  - ELECTRICAL:  
 VOLTAGE: 483V PER IEC60664 (A)  
 600V PER UL2237  
 CURRENT: 15A
  - TEMP RATING: -20°TO +105°C (A)
  - PROTECTION: IP67 (WHEN MATED)
  - COUPLING THREAD: 7/8"-16UN
  - UL LISTED FILE: E258922
  - ALL DIMENSIONS ARE FOR REFERENCE UNLESS TOLERANCED OR NOTED OTHERWISE



**(A) CABLE LENGTH TOLERANCES**

<.3M [1FT]:	+19mm-0 [+ .75in-0]
.3 - .9M [1 - 3FT]:	+44.5mm-0 [+1.75in-0]
.9 - 1.8M [3 - 6FT]:	+55.6mm-0 [+2.19in-0]
1.8 - 3.7M [6 - 12FT]:	+88.9mm-0 [+3.50in-0]
3.7 - 7.3M [12 - 24FT]:	+165.1mm-0 [+6.50in-0]
7.3-14.6M [24 - 48FT]:	+317.5mm-0 [+12.50in-0]
14.6 - 30.5M [48-100FT]:	+622.3mm-0 [+24.50in-0]
OVER 30M [100FT]	+2% OF FINISHED LENGTH

ITEM	DESCRIPTION	MATERIAL	FINISH
8	WARNING LABEL	VINYL	BLACK
7	OVERMOLD	TPE	GRAY
6	WRAP LABEL	VINYL	YELLOW
5	COUPLING NUT	ZINC ALLOY	BLACK E-COAT
4	FRICTION RING	NYLON	WHITE
3	SOCKET CONTACT	BRASS	GOLD OVER NICKEL
2	INSERT	TPE	BLACK
1	#14/4 CABLE	PVC JACKET	GRAY

<b>FUNCTIONAL SYMBOLS</b>    <b>DIVISIONAL SYMBOLS</b>	THIS DRAWING CONTAINS INFORMATION THAT IS PROPRIETARY TO MOLEX ELECTRONIC TECHNOLOGIES, LLC AND SHOULD NOT BE USED WITHOUT WRITTEN PERMISSION		<b>INCH/MM</b> <b>NTS</b>		<b>CURRENT REV DESC:</b> ITEM 2 & 7 WERE PVC. SOCKET & SLEEVE SHOWN AS ITEM-3. ADDED IEC VOLTAGE, PN LEGEND, CABLE DIA & TOL CHART. MODIFIED TEMP RATING AND PN TABLE. REMOVED CSA IN NOTES  <b>EC NO:</b> 698916 <b>DRWN:</b> ABENJAMINLW    2021/06/14 <b>CHK'D:</b> RSTONE    2022/03/09 <b>APPR:</b> BWOODMAN    2022/03/11  <b>INITIAL REVISION:</b> <b>DRWN:</b> VOU    2010/01/14 <b>APPR:</b> JFMURPHY    2010/01/20																														
	<b>GENERAL TOLERANCES (UNLESS SPECIFIED)</b>		<b>SCALE</b>																																
	<table border="1"> <tr> <th></th> <th>mm</th> <th>INCH</th> </tr> <tr> <td>4 PLACES</td> <td>±----</td> <td>±----</td> </tr> <tr> <td>3 PLACES</td> <td>±----</td> <td>±----</td> </tr> <tr> <td>2 PLACES</td> <td>±----</td> <td>±----</td> </tr> <tr> <td>1 PLACE</td> <td>±----</td> <td>±----</td> </tr> <tr> <td>0 PLACES</td> <td>±----</td> <td>±----</td> </tr> </table>			mm		INCH	4 PLACES	±----	±----	3 PLACES	±----	±----	2 PLACES	±----	±----	1 PLACE	±----	±----	0 PLACES	±----	±----	<table border="1"> <tr> <th>mm</th> <th>INCH</th> </tr> <tr> <td>±----</td> <td>±----</td> </tr> <tr> <td>±----</td> <td>±----</td> </tr> <tr> <td>±----</td> <td>±----</td> </tr> <tr> <td>±----</td> <td>±----</td> </tr> <tr> <td>±----</td> <td>±----</td> </tr> </table>		mm	INCH	±----	±----	±----	±----	±----	±----	±----	±----	±----	±----
		mm	INCH																																
4 PLACES	±----	±----																																	
3 PLACES	±----	±----																																	
2 PLACES	±----	±----																																	
1 PLACE	±----	±----																																	
0 PLACES	±----	±----																																	
mm	INCH																																		
±----	±----																																		
±----	±----																																		
±----	±----																																		
±----	±----																																		
±----	±----																																		
<b>ANGULAR TOL</b> ± ---- °		<b>THIRD ANGLE PROJECTION</b>																																	
<b>DRAFT WHERE APPLICABLE MUST REMAIN WITHIN DIMENSIONS</b>		<b>DRAWING</b> A-SIZE	<b>SERIES</b> 130061	<b>MATERIAL NUMBER</b> SEE CHART	<b>CUSTOMER</b> GENERAL MARKET	<b>SHEET NUMBER</b> 1 OF 1																													

**molex**

**BRAD POWER CORDSET, A-SIZE**  
 4-POLE, FEMALE 90DEG, SINGLE KEY,  
 #14 AWG

**PRODUCT CUSTOMER DRAWING**

<b>DOCUMENT NUMBER</b>	<b>DOC TYPE</b>	<b>DOC PART</b>	<b>REVISION</b>
SD-130061-014	PSD	001	A

<b>DOCUMENT STATUS</b>	P1	<b>RELEASE DATE</b>	2022/03/11	14:29:46
------------------------	----	---------------------	------------	----------