

NOTES:

- ELECTRICAL DATA:
 VOLTAGE RATING: 125V
 CURRENT RATING: 1.5A
 INSULATION RESISTANCE: 10⁸ Ω MIN.
 MATING CYCLES: MIN. 100
 TEMP RANGE: -25°C TO +75°C
 PROTECTION: IP67 (WHEN MATED)
 UL FILE: E200650
- ALL DIMS ARE FOR REFERENCE UNLESS TOLERANCED OR NOTED OTHERWISE

WIRING DIAGRAM

M12 (4 PIN) TO RJ45 STRAIGHT THRU WIRING

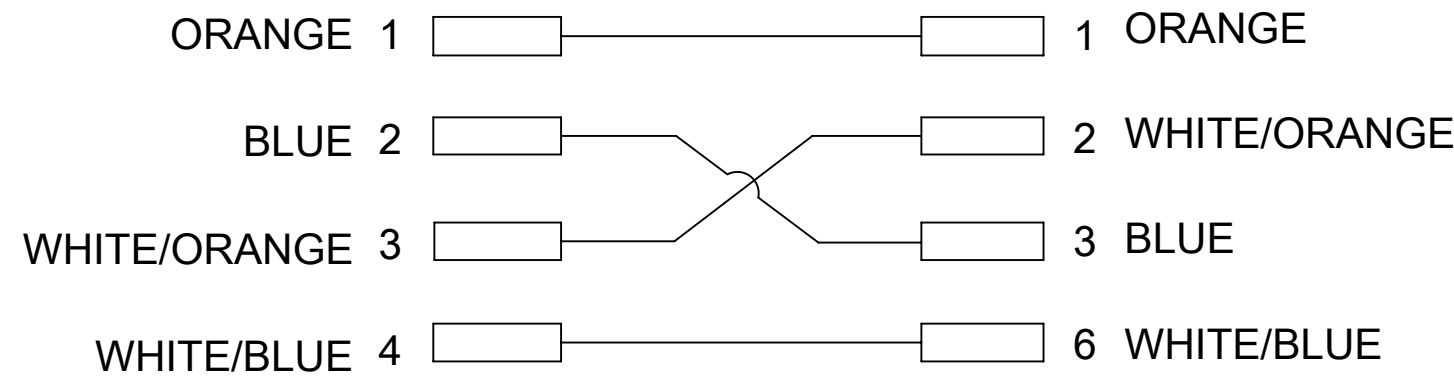
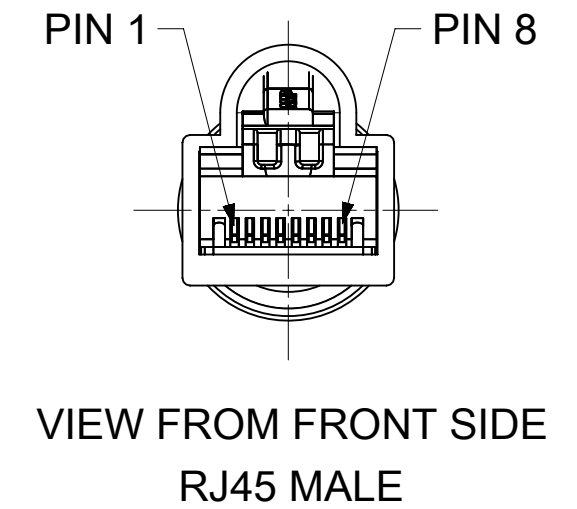
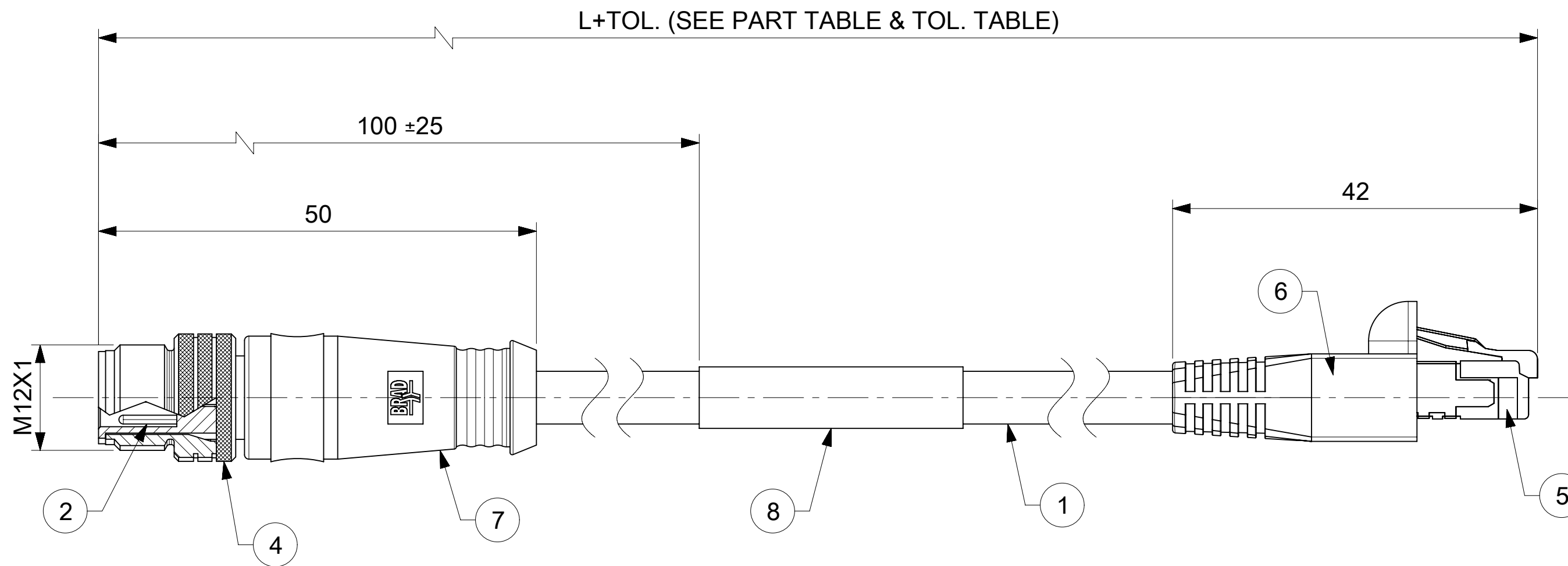
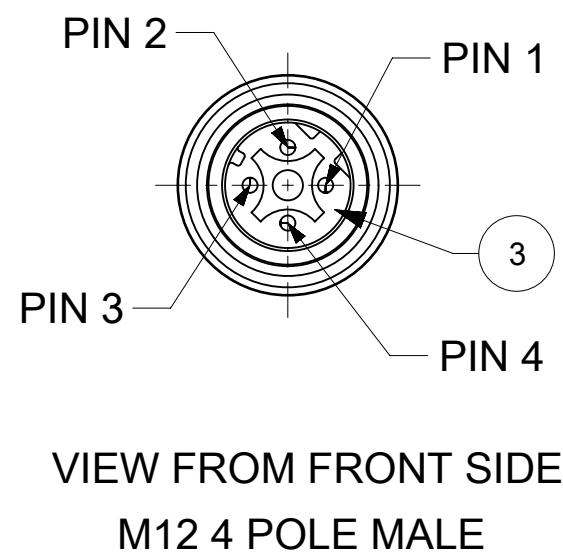


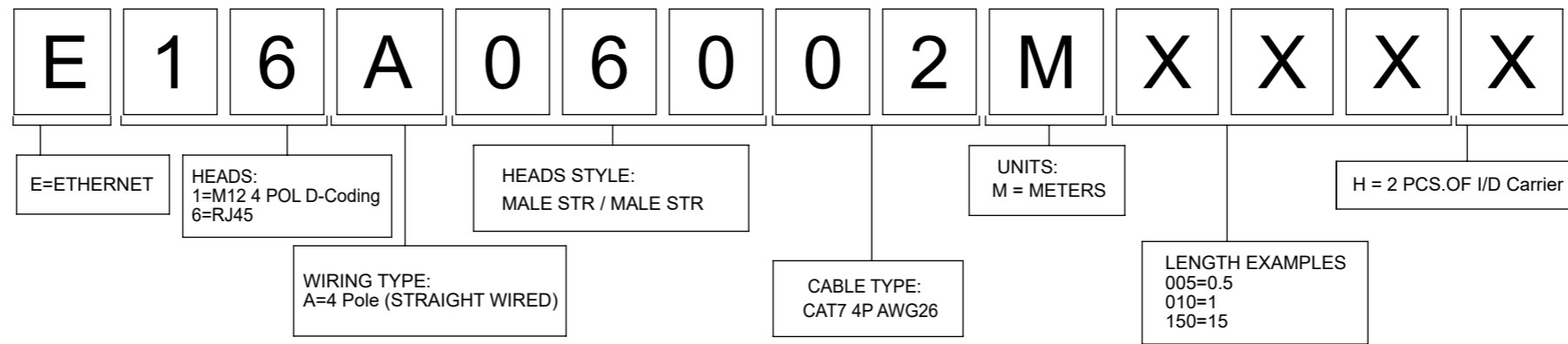
TABLE OF LENGTH TOLERANCES		
OVER	UP TO AND INCLUDING	TOLERANCE
0	305	+19
305	915	+45
915	1830	+56
1830	3660	+89
3660	7320	+165
7320	14640	+317
14640	30500	+610
30500	>	+2% OF LENGTH



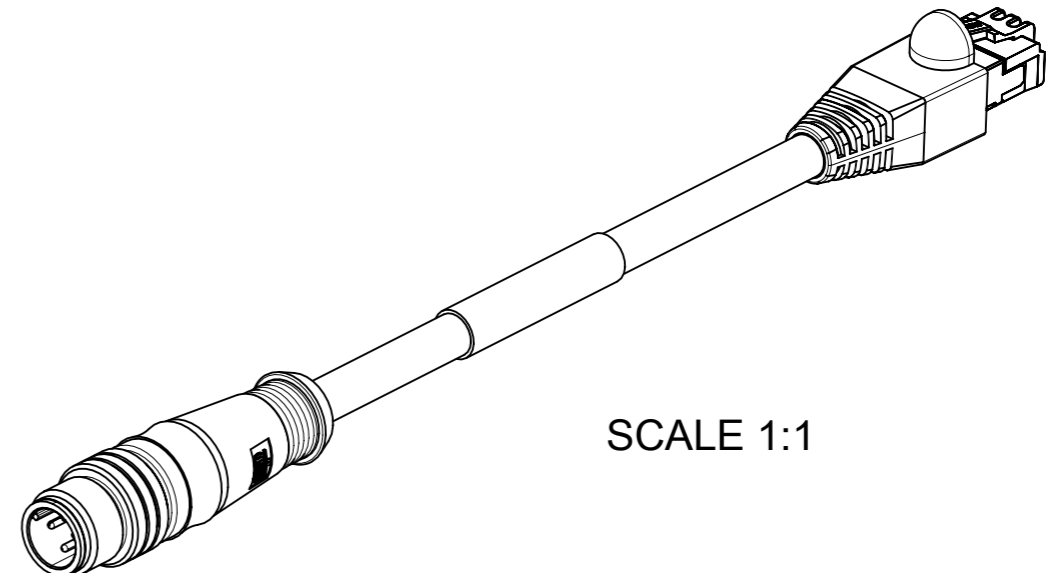
ITEM	DESCRIPTION	MATERIAL	FINISH
1	CABLE, ETHERNET, 24-4	PVC JACKET	TEAL
2	CONTACT PIN	COPPER ALLOY	GOLD PLATED
3	INSERT D-CODE 4 POLE MALE	PUR	BLACK
4	COUPLING NUT M12 MALE	BRASS	NICKEL
5	RJ45 PLUG	POLYCARBONATE	TRANSPARENT
6	RJ45 BOOT, HOODED	PVC	BLACK
7	OVERMOLD	TPU	BLACK
8	LABEL	VINYL	BLACK/WHITE

FUNCTIONAL SYMBOLS $\nabla_A = 0$ $\nabla_C = 0$ $\nabla_P = 0$	THIS DRAWING CONTAINS INFORMATION THAT IS PROPRIETARY TO MOLEX ELECTRONIC TECHNOLOGIES, LLC AND SHOULD NOT BE USED WITHOUT WRITTEN PERMISSION	DIMENSION UNITS: mm SCALE: 2:1		CURRENT REV DESC: EC NO: 750217 DRWN: VHANDI 2023/04/19 CHK'D: RSILLER 2023/05/24 APPR: RSILLER 2023/05/24		 CSE M12 RJ45 4P DC MALE STR PVC XM DE UNSH					
	GENERAL TOLERANCES (UNLESS SPECIFIED) ANGULAR TOL ± °		INITIAL REVISION: DRWN: VHANDI 2023/04/19 APPR: RSILLER 2023/05/24		PRODUCT CUSTOMER DRAWING						
	DIVISIONAL SYMBOLS 4 PLACES ± 3 PLACES ± 2 PLACES ± 1 PLACE ± 0 PLACES ±		DRAFT WHERE APPLICABLE MUST REMAIN WITHIN DIMENSIONS		THIRD ANGLE PROJECTION 		DRAWING SERIES C-SIZE 130048		DOCUMENT NUMBER 1300480015		DOC TYPE DOC PART REVISION PSD 000 A
MATERIAL NUMBER SEE TABLE		CUSTOMER GENERAL MARKET		SHEET NUMBER 1 OF 2							

PART No MATRIX:



MATERIAL NO.	ENGINEERING NO.	FINISHED LENGTH (mm)
1300480015	E16A06002M100	10000
1300480016	E16A06002M150	15000
1300480017	E16A06002M200	20000
1300480018	E16A06002M250	25000
1300480019	E16A06002M300	30000
1300480020	E16A06002M350	35000
1300480021	E16A06002M400	40000
1300480022	E16A06002M450	45000
1300480023	E16A06002M500	50000
1300480024	E16A06002M600	60000
1300480026	E16A06002M900	90000
1300480205	E16A06002M010	1000
1300480206	E16A06002M030	3000
1300480225	E16A06002M040	4000
1300480227	E16A06002M060	6000
1300480235	E16A06002M010	1000
1300480236	E16A06002M030	3000
1300480248	E16A06002M050	5000
1300488005	E16A06002M020	5000
1300488074	E16A06002M700	70000
1300488096	E16A06002T100	10000



SCALE 1:1

FUNCTIONAL SYMBOLS	THIS DRAWING CONTAINS INFORMATION THAT IS PROPRIETARY TO MOLEX ELECTRONIC TECHNOLOGIES, LLC AND SHOULD NOT BE USED WITHOUT WRITTEN PERMISSION	DIMENSION UNITS	SCALE	CURRENT REV DESC:	molex	
$\nabla_A = 0$		mm	1:1		CSE M12 RJ45 4P DC MALE STR PVC XM DE UNSH	
$\nabla_E = 0$		GENERAL TOLERANCES (UNLESS SPECIFIED)				
$\nabla_Z = 0$		ANGULAR TOL ± °				
DIVISIONAL SYMBOLS		4 PLACES	±	EC NO: 750217	PRODUCT CUSTOMER DRAWING	
		3 PLACES	±	DRWN: VHANDI 2023/04/19		
		2 PLACES	±	CHK'D: RSILLER 2023/05/24		
		1 PLACE	±	APPR: RSILLER 2023/05/24		
		0 PLACES	±	INITIAL REVISION:		
		DRAFT WHERE APPLICABLE MUST REMAIN WITHIN DIMENSIONS			DRWN: VHANDI 2023/04/19	DOCUMENT NUMBER
		THIRD ANGLE PROJECTION			APPR: RSILLER 2023/05/24	1300480015
		DRAWING				DOC TYPE
		A3-SIZE				PSD
		SERIES				DOC PART
		130048				000
		MATERIAL NUMBER				REVISION
		CUSTOMER				A
		GENERAL MARKET				SHEET NUMBER
		2 OF 2				