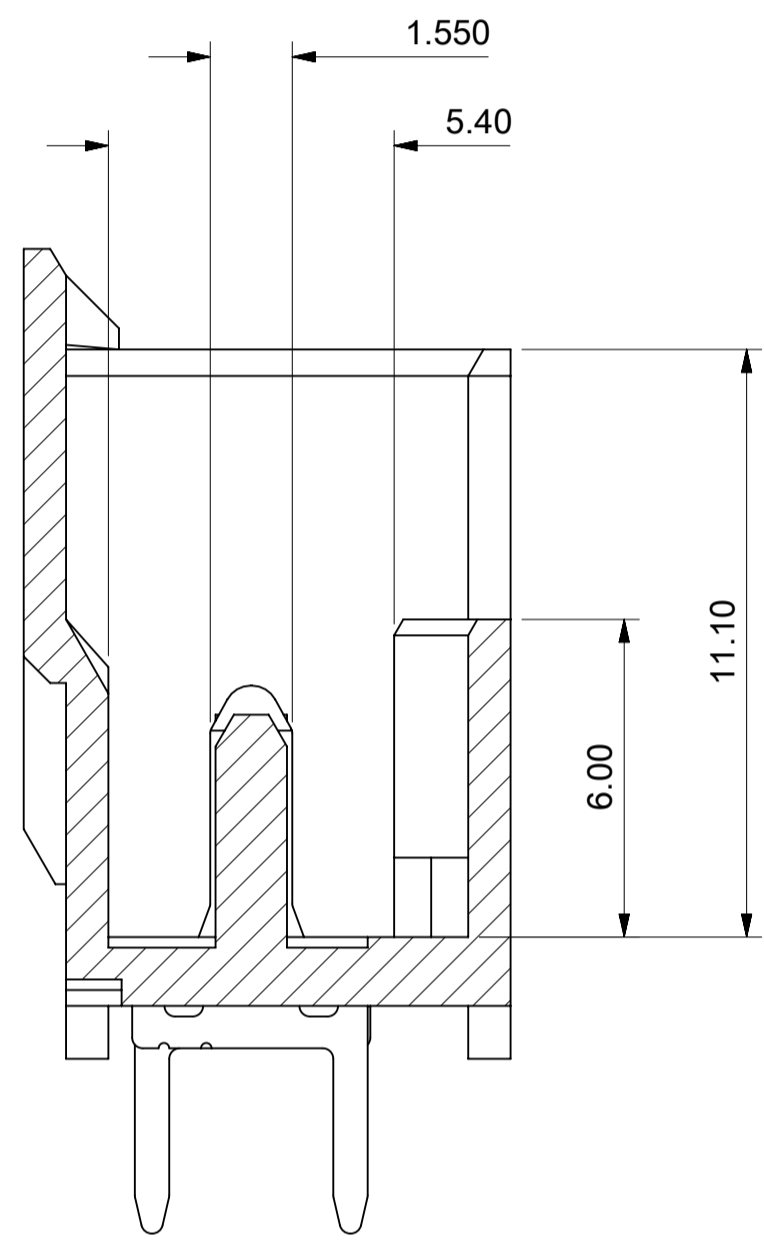
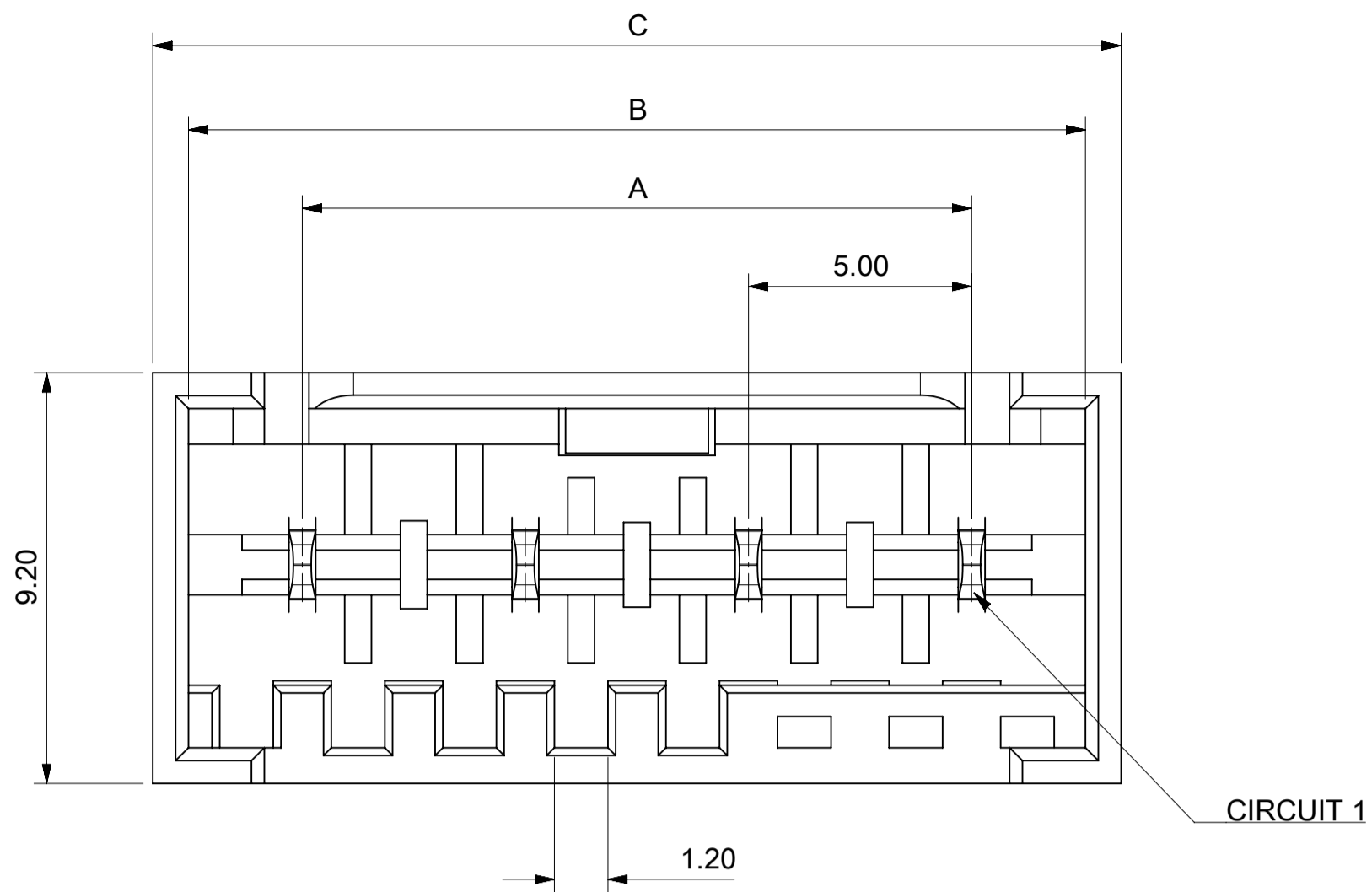
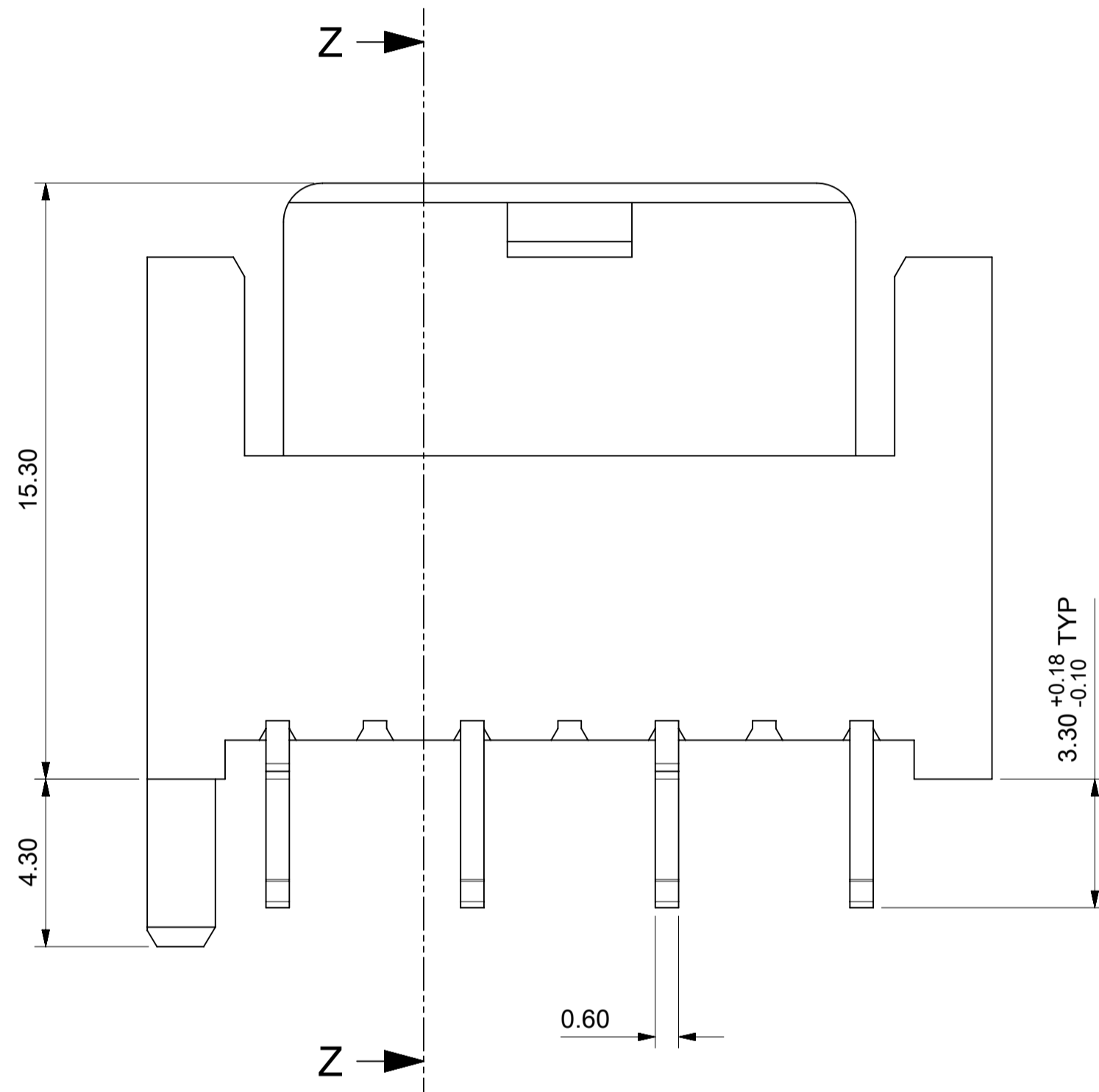


| CKT | A | B | C |
|-----|------|------|------|
| 2 | 5.0 | 10.1 | 11.7 |
| 3 | 10.0 | 15.1 | 16.7 |
| 4 | 15.0 | 20.1 | 21.7 |
| 5 | 20.0 | 25.1 | 26.7 |
| 6 | 25.0 | 30.1 | 31.7 |
| 7 | 30.0 | 35.1 | 36.7 |
| 8 | 35.0 | 40.1 | 41.7 |



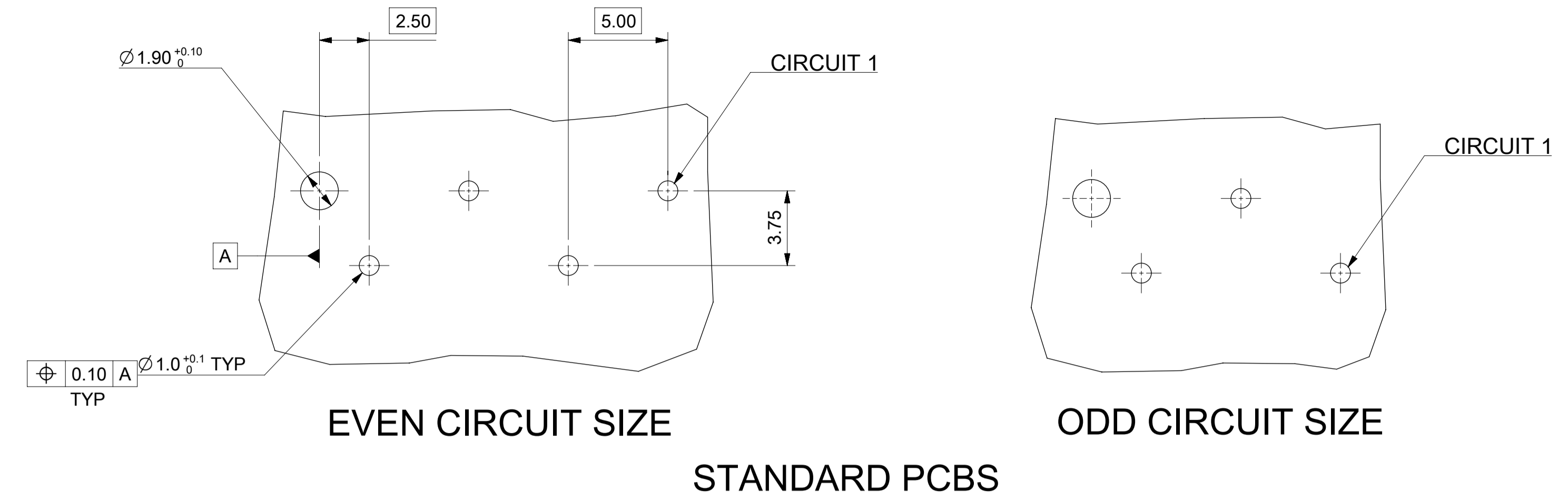
SECTION Z-Z



ASSEMBLY WITHOUT LATCH
(OPTIONAL)

NOTES:

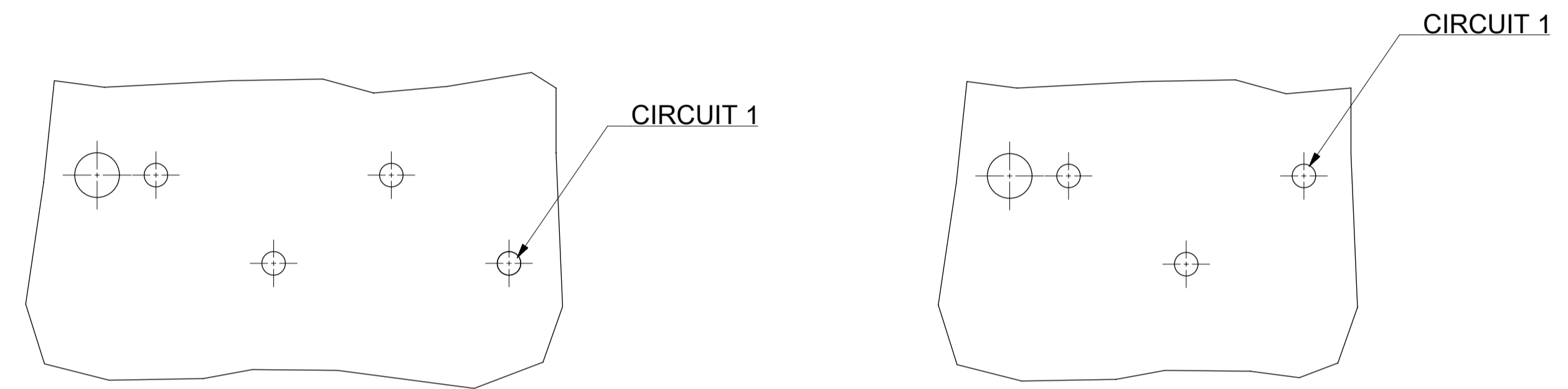
- MATERIAL: HOUSING - PA66 25% G/F, UL94 V-0
PA66 25% G/F, UL94 V-0
COLOUR: NATURAL
TERMINAL - BRASS
PLATING - 3-7µm Sn over 1.27µm Min Ni
- PARTS PACKED AS PER PK-93070-001
- PRODUCT SPECIFICATION: PS-99039-0040
- RECOMMENDED PCB THICKNESS: 1.5+/-0.14mm



EVEN CIRCUIT SIZE

ODD CIRCUIT SIZE

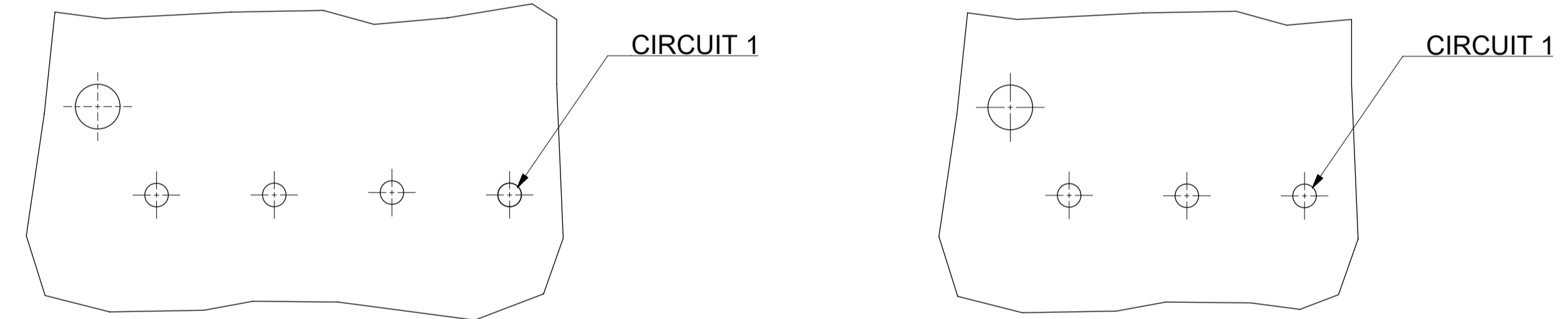
STANDARD PCBs



EVEN CIRCUIT SIZE

ODD CIRCUIT SIZE

RECOMMENDED OPPOSITE PCBs



EVEN CIRCUIT SIZE

ODD CIRCUIT SIZE

OPTION 'C' PCB LAYOUT

THIS DRAWING CONTAINS INFORMATION THAT IS PROPRIETARY TO MOLEX ELECTRONIC TECHNOLOGIES, LLC AND SHOULD NOT BE USED WITHOUT WRITTEN PERMISSION

| DIMENSION UNITS | SCALE | CURRENT REV DESC: | | | | |
|--|--------|------------------------|------------|--------------------------|----------------|--------------|
| mm | 5:1 | | | | | |
| GENERAL TOLERANCES (UNLESS SPECIFIED) | | EC NO: 736758 | | PRODUCT CUSTOMER DRAWING | | |
| ANGULAR TOL | ± 2.0° | DRWN: MBN02 | 2022/06/22 | DOCUMENT NUMBER | DOC TYPE | DOC PART |
| 4 PLACES | ± | CHK'D: RAHULH3 | 2023/02/06 | 930710001 | PSD | 000 |
| 3 PLACES | ± 0.05 | APPR: MRAMAKRISHNA | 2023/02/06 | REVISION | | |
| 2 PLACES | ± 0.1 | INITIAL REVISION: | | A1 | | |
| 1 PLACE | ± 0.2 | DRWN: CRAODOREMS | 2017/10/03 | MATERIAL NUMBER | CUSTOMER | SHEET NUMBER |
| 0 PLACES | ± | APPR: BRUTTLE | 2018/03/20 | 93071 | GENERAL MARKET | 1 OF 4 |
| DRAFT WHERE APPLICABLE MUST REMAIN WITHIN DIMENSIONS | | THIRD ANGLE PROJECTION | DRAWING | SERIES | | |
| | | | A1-SIZE | 93071 | | |

2 CIRCUIT

| MOLEX PART NO. | HOUSING PART NO. | BLOCKED POSITION KEYS | TERMINAL VOID POSITION | CONFIGURATION | LATCH | CIRCUIT 1 LOCATION | HOUSING COLOUR | |
|----------------|------------------|-----------------------|------------------------|---------------|-------|--------------------|----------------|-------|
| 93071-0001 | 91698-0001 | NONE | CCT 2 | | YES | STANDARD | NATURAL | |
| 93071-0002 | 91698-0006 | d | CCT 2 | | YES | STANDARD | | |
| 93071-0003 | 91698-0004 | b | CCT 2 | | YES | STANDARD | | |
| 93071-0004 | 91698-0007 | b d | CCT 2 | | YES | STANDARD | | |
| 93071-0005 | 91698-0008 | a c | CCT 2 | | YES | STANDARD | | |
| 93071-0006 | 91698-0002 | a d | CCT 2 | | YES | STANDARD | | |
| 93071-0007 | 91698-0003 | a | CCT 2 | | YES | STANDARD | | |
| 93071-0008 | 91698-0009 | a b | CCT 2 | | YES | STANDARD | | |
| 93071-0009 | 91698-0010 | b c | CCT 2 | | YES | STANDARD | | |
| 93071-0010 | 91698-0011 | c d | CCT 2 | | YES | STANDARD | | |
| 93071-0011 | 91698-0012 | a b c | CCT 2 | | YES | STANDARD | | |
| 93071-0012 | 91698-0016 | a c d | CCT 2 | | YES | STANDARD | | |
| 93071-0013 | 91698-0014 | b c d | CCT 2 | | YES | STANDARD | | |
| 93071-0014 | 91698-0015 | ALL | CCT 2 | | YES | STANDARD | | |
| 93071-0015 | 91698-0017 | a | CCT 2 | | YES | STANDARD | | RED |
| 93071-0016 | 91698-0021 | a | CCT 2 | | YES | STANDARD | | BLACK |
| 93071-0017 | 91698-0005 | c | CCT 2 | | YES | STANDARD | NATURAL | |

3 CIRCUIT

| MOLEX PART NO. | HOUSING PART NO. | BLOCKED POSITION KEYS | TERMINAL VOID POSITION | CONFIGURATION | LATCH | CIRCUIT 1 LOCATION | HOUSING COLOUR |
|----------------|------------------|-----------------------|------------------------|---------------|-------|--------------------|----------------|
| 93071-1001 | 91698-1001 | NONE | CCT 2, 4 | | YES | STANDARD | NATURAL |
| 93071-1002 | 91698-1010 | a c d e | CCT 2, 4 | | YES | STANDARD | |
| 93071-1003 | 91698-1011 | b c d e | CCT 2, 4 | | YES | STANDARD | |
| 93071-1004 | 91698-1012 | c | CCT 2, 4 | | YES | STANDARD | |
| 93071-1005 | 91698-1013 | d e f | CCT 2, 4 | | YES | STANDARD | |
| 93071-1006 | 91698-1003 | a c e | CCT 2, 4 | | YES | STANDARD | |
| 93071-1007 | 91698-1015 | a e | CCT 2, 4 | | YES | STANDARD | |
| 93071-1008 | 91698-1002 | ALL | CCT 2, 4 | | YES | STANDARD | |
| 93071-1009 | 91698-1001 | NONE | CCT 2, 4 | | YES | OPPOSITE | |
| 93071-1010 | 91698-1001 | NONE | CCT 2, 4 | | YES | OPTION C | |
| 93071-1011 | 91698-1025 | e f | CCT 2, 4 | | YES | STANDARD | |
| 93071-1012 | 91698-1026 | a b | CCT 2, 4 | | YES | STANDARD | |
| 93071-1013 | 91698-1027 | NONE | CCT 2, 4 | | YES | OPPOSITE | |
| 93071-1014 | 91698-1030 | a d e f | CCT 2, 4 | | YES | STANDARD | NATURAL |

(A1)

NOTES:

- 1. + DENOTES TERMINAL VOIDED POSITION
- ⊕ DENOTES TERMINAL LOADED POSITION

| | | | | | | | | | | |
|---|--------|------------------------|---------|------------|-----------------|-----------------|--------------|--|----------|----------|
| THIS DRAWING CONTAINS INFORMATION THAT IS PROPRIETARY TO MOLEX ELECTRONIC TECHNOLOGIES, LLC AND SHOULD NOT BE USED WITHOUT WRITTEN PERMISSION | | | | | | | | | | |
| DIMENSION UNITS | SCALE | CURRENT REV DESC: | | | | | | molex | | |
| mm | 1:1 | | | | | | | | | |
| GENERAL TOLERANCES (UNLESS SPECIFIED) | | EC NO: 736758 | | | | | | RAST 2.5 APPLI-MATE VERTICAL MALE HEADER | | |
| ANGULAR TOL | ± 2.0° | DRWN: MBN02 | | 2022/06/22 | | | | | | |
| 4 PLACES | ± | CHK'D: RAHULH3 | | 2023/02/06 | | | | | | |
| 3 PLACES | ± 0.05 | APPR: MRAMAKRISHNA | | 2023/02/06 | | | | | | |
| 2 PLACES | ± 0.1 | INITIAL REVISION: | | | | | | PRODUCT CUSTOMER DRAWING | | |
| 1 PLACE | ± 0.2 | DRWN: CRAODOREMS | | 2017/10/03 | | DOCUMENT NUMBER | | DOC TYPE | DOC PART | REVISION |
| 0 PLACES | ± | APPR: BRUTTLE | | 2018/03/20 | | 930710001 | | PSD | 000 | A1 |
| DRAFT WHERE APPLICABLE MUST REMAIN WITHIN DIMENSIONS | | THIRD ANGLE PROJECTION | DRAWING | SERIES | MATERIAL NUMBER | CUSTOMER | SHEET NUMBER | | | |
| | | | A1-SIZE | 93071 | SEE SHEETS 2-3 | GENERAL MARKET | 2 OF 4 | | | |

4 CIRCUIT

| MOLEX PART NO. | HOUSING PART NO. | BLOCKED POSITION KEYS | TERMINAL VOID POSITION | CONFIGURATION | LATCH | CIRCUIT 1 LOCATION | HOUSING COLOUR |
|----------------|------------------|-----------------------|------------------------|---------------|-------|--------------------|----------------|
| 93071-2001 | 91698-2001 | NONE | CCT 2, 4, 6 | | YES | STANDARD | NATURAL |
| 93071-2002 | 91698-2011 | b c d e f h | CCT 2, 4, 6 | | YES | STANDARD | |
| 93071-2003 | 91698-2012 | b c d e f g | CCT 2, 4, 6 | | YES | STANDARD | |
| 93071-2004 | 91698-2013 | b c d f | CCT 2, 4, 6 | | YES | STANDARD | |
| 93071-2005 | 91698-2017 | a b c d e f | CCT 2, 4, 6 | | YES | STANDARD | |
| 93071-2006 | 91698-2018 | d e f g h | CCT 2, 4, 6 | | YES | STANDARD | |
| 93071-2007 | 91698-2019 | b d e | CCT 2, 4, 6 | | YES | STANDARD | |
| 93071-2008 | 91698-2020 | c e | CCT 2, 4, 6 | | YES | STANDARD | |

6 CIRCUIT

| MOLEX PART NO. | HOUSING PART NO. | BLOCKED POSITION KEYS | TERMINAL VOID POSITION | CONFIGURATION | LATCH | CIRCUIT 1 LOCATION | HOUSING COLOUR |
|----------------|------------------|-----------------------|------------------------|---------------|-------|--------------------|----------------|
| 93071-4001 | 91698-4001 | NONE | CCT 2, 4, 6, 8, 10 | | YES | STANDARD | NATURAL |
| 93071-4002 | 91698-4002 | a d | CCT 2, 4, 6, 8, 10 | | YES | STANDARD | NATURAL |

7 CIRCUIT

| MOLEX PART NO. | HOUSING PART NO. | BLOCKED POSITION KEYS | TERMINAL VOID POSITION | CONFIGURATION | LATCH | CIRCUIT 1 LOCATION | HOUSING COLOUR |
|----------------|------------------|--------------------------------|------------------------|---------------|-------|--------------------|----------------|
| 93071-5001 | 91698-5001 | NONE | CCT 2, 4, 6, 8, 10, 12 | | YES | STANDARD | NATURAL |
| 93071-5002 | 91698-5003 | c d e f g h i j k l m n | CCT 2, 4, 6, 8, 10, 12 | | YES | STANDARD | NATURAL |
| 93071-5003 | 91698-5004 | a b c d e f g h i j k l m n | CCT 2, 4, 6, 8, 10, 12 | | YES | STANDARD | NATURAL |

5 CIRCUIT

| MOLEX PART NO. | HOUSING PART NO. | BLOCKED POSITION KEYS | TERMINAL VOID POSITION | CONFIGURATION | LATCH | CIRCUIT 1 LOCATION | HOUSING COLOUR |
|----------------|------------------|-----------------------|------------------------|---------------|-------|--------------------|----------------|
| 93071-3001 | 91698-3001 | NONE | CCT 2, 4, 6, 8 | | YES | STANDARD | NATURAL |
| 93071-3002 | 91698-3005 | b c d g h j | CCT 2, 4, 6, 8 | | YES | STANDARD | NATURAL |
| 93071-3003 | 91698-3007 | a b c d f g h i j | CCT 2, 4, 6, 8 | | YES | STANDARD | NATURAL |
| 93071-3004 | 91698-3008 | b c d g h i j | CCT 2, 4, 6, 8 | | YES | STANDARD | RED |
| 93071-3005 | 91698-3009 | c e j | CCT 2, 4, 6, 8 | | YES | STANDARD | NATURAL |

8 CIRCUIT

| MOLEX PART NO. | HOUSING PART NO. | BLOCKED POSITION KEYS | TERMINAL VOID POSITION | CONFIGURATION | LATCH | CIRCUIT 1 LOCATION | HOUSING COLOUR |
|----------------|------------------|-----------------------|----------------------------|---------------|-------|--------------------|----------------|
| 93071-6001 | 91698-6001 | NONE | CCT 2, 4, 6, 8, 10, 12, 14 | | YES | STANDARD | NATURAL |

NOTES:
 1. + DENOTES TERMINAL VOIDED POSITION
 ⊕ DENOTES TERMINAL LOADED POSITION

| | | | | | | | | | | |
|---|--------|------------------------|---------|------------|-----------------|--|--------------|----------|----------|----------|
| THIS DRAWING CONTAINS INFORMATION THAT IS PROPRIETARY TO MOLEX ELECTRONIC TECHNOLOGIES, LLC AND SHOULD NOT BE USED WITHOUT WRITTEN PERMISSION | | | | | | | | | | |
| DIMENSION UNITS | SCALE | CURRENT REV DESC: | | | | molex | | | | |
| mm | 1:1 | | | | | | | | | |
| GENERAL TOLERANCES (UNLESS SPECIFIED) | | EC NO: 736758 | | | | RAST 2.5 APPLI-MATE VERTICAL MALE HEADER | | | | |
| ANGULAR TOL | ± 2.0° | DRWN: MBN02 | | 2022/06/22 | | | | | | |
| 4 PLACES | ± | CHK'D: RAHULH3 | | 2023/02/06 | | | | | | |
| 3 PLACES | ± 0.05 | APPR: MRAMAKRISHNA | | 2023/02/06 | | | | | | |
| 2 PLACES | ± 0.1 | INITIAL REVISION: | | | | PRODUCT CUSTOMER DRAWING | | | | |
| 1 PLACE | ± 0.2 | DRWN: CRAODOREMS | | 2017/10/03 | | DOCUMENT NUMBER | | DOC TYPE | DOC PART | REVISION |
| 0 PLACES | ± | APPR: BRUTTLE | | 2018/03/20 | | 930710001 | | PSD | 000 | A1 |
| DRAFT WHERE APPLICABLE MUST REMAIN WITHIN DIMENSIONS | | THIRD ANGLE PROJECTION | DRAWING | SERIES | MATERIAL NUMBER | CUSTOMER | SHEET NUMBER | | | |
| | | | A1-SIZE | 93071 | SEE SHEETS 2-3 | GENERAL MARKET | 3 OF 4 | | | |

| 9 CIRCUIT | | | | | | | |
|----------------|------------------|-----------------------|--------------------------------|---------------|-------|--------------------|----------------|
| MOLEX PART NO. | HOUSING PART NO. | BLOCKED POSITION KEYS | TERMINAL VOID POSITION | CONFIGURATION | LATCH | CIRCUIT 1 LOCATION | HOUSING COLOUR |
| 93071-7001 | 91698-7001 | NONE | CCT 2, 4, 6, 8, 10, 12, 14, 16 | | YES | STANDARD | NATURAL |

A1

| 10 CIRCUIT | | | | | | | |
|----------------|------------------|-----------------------|------------------------------------|---------------|-------|--------------------|----------------|
| MOLEX PART NO. | HOUSING PART NO. | BLOCKED POSITION KEYS | TERMINAL VOID POSITION | CONFIGURATION | LATCH | CIRCUIT 1 LOCATION | HOUSING COLOUR |
| 93071-8001 | 91698-8001 | NONE | CCT 2, 4, 6, 8, 10, 12, 14, 16, 18 | | YES | STANDARD | NATURAL |

A1

| | | | | | | | | | | |
|---|--------|---|---------|--------|----------------|--|--------------|----------------|----------|--------------|
| THIS DRAWING CONTAINS INFORMATION THAT IS PROPRIETARY TO MOLEX ELECTRONIC TECHNOLOGIES, LLC AND SHOULD NOT BE USED WITHOUT WRITTEN PERMISSION | | | | | | | | | | |
| DIMENSION UNITS | SCALE | CURRENT REV DESC: | | | | | | | | |
| mm | 1:1 | | | | | | | | | |
| GENERAL TOLERANCES (UNLESS SPECIFIED) | | EC NO: 736758 DRWN: MBN02 2022/06/22 CHK'D: RAHULH3 2023/02/06 APPR: MRAMAKRISHNA 2023/02/06 INITIAL REVISION: DRWN: CRAODOREMS 2017/10/03 APPR: BRUTTLE 2018/03/20 | | | | RAST 2.5 APPLI-MATE VERTICAL MALE HEADER | | | | |
| ANGULAR TOL | ± 2.0° | | | | | PRODUCT CUSTOMER DRAWING | | | | |
| 4 PLACES | ± | | | | | DOCUMENT NUMBER | | DOC TYPE | DOC PART | REVISION |
| 3 PLACES | ± 0.05 | | | | | 930710001 | | PSD | 000 | A1 |
| 2 PLACES | ± 0.1 | | | | | MATERIAL NUMBER | | CUSTOMER | | SHEET NUMBER |
| 1 PLACE | ± 0.2 | | | | | | | GENERAL MARKET | | 4 OF 4 |
| 0 PLACES | ± | | | | | | | | | |
| DRAFT WHERE APPLICABLE MUST REMAIN WITHIN DIMENSIONS | | THIRD ANGLE PROJECTION | DRAWING | SERIES | CUSTOMER | | SHEET NUMBER | | | |
| | | | A1-SIZE | 93071 | GENERAL MARKET | | 4 OF 4 | | | |

| | | | |
|-----------------|----|--------------|---------------------|
| DOCUMENT STATUS | P1 | RELEASE DATE | 2023/02/06 11:17:30 |
|-----------------|----|--------------|---------------------|