

THE INFORMATION CONTAINED HEREIN IS CONSIDERED "PROPRIETARY" TO BEL FUSE INC. AND SHALL NOT BE COPIED, REPRODUCED OR DISCLOSED WITHOUT THE WRITTEN APPROVAL OF BEL FUSE INC.

RoHS



LED 2 & 4 POLARITY			LED 1 & 3 POLARITY		
PIN 11	PIN 12	COLOR	PIN 13	PIN 14	COLOR
-	+	YELLOW	-	+	YELLOW
+	-	GREEN	+	-	GREEN

ELECTRICAL CHARACTERISTICS @ 25°C

URNS RATIO

TP1	1CT : 1CT ±2%
TP2	1CT : 1CT ±2%
TP3	1CT : 1CT ±2%
TP4	1CT : 1CT ±2%

OCL @ 100kHz/100mVRMS

8mA DC BIAS 350µH MIN.

INS. LOSS

0.1MHz TO 1MHz	-1.1 dB MAX
1MHz TO 65MHz	-0.5 dB MAX
65MHz TO 100MHz	-0.8 dB MAX
100MHz TO 125MHz	-1.2 dB MAX

RET. LOSS (MIN)

0.5MHz-40MHz	-18 dB
40MHz-100MHz	-12+20LOG(f/80MHz) dB

CM TO CM REJ

100kHz - 100MHz -30 dB MIN

CM TO DM REJ

100kHz - 100MHz -35 dB MIN

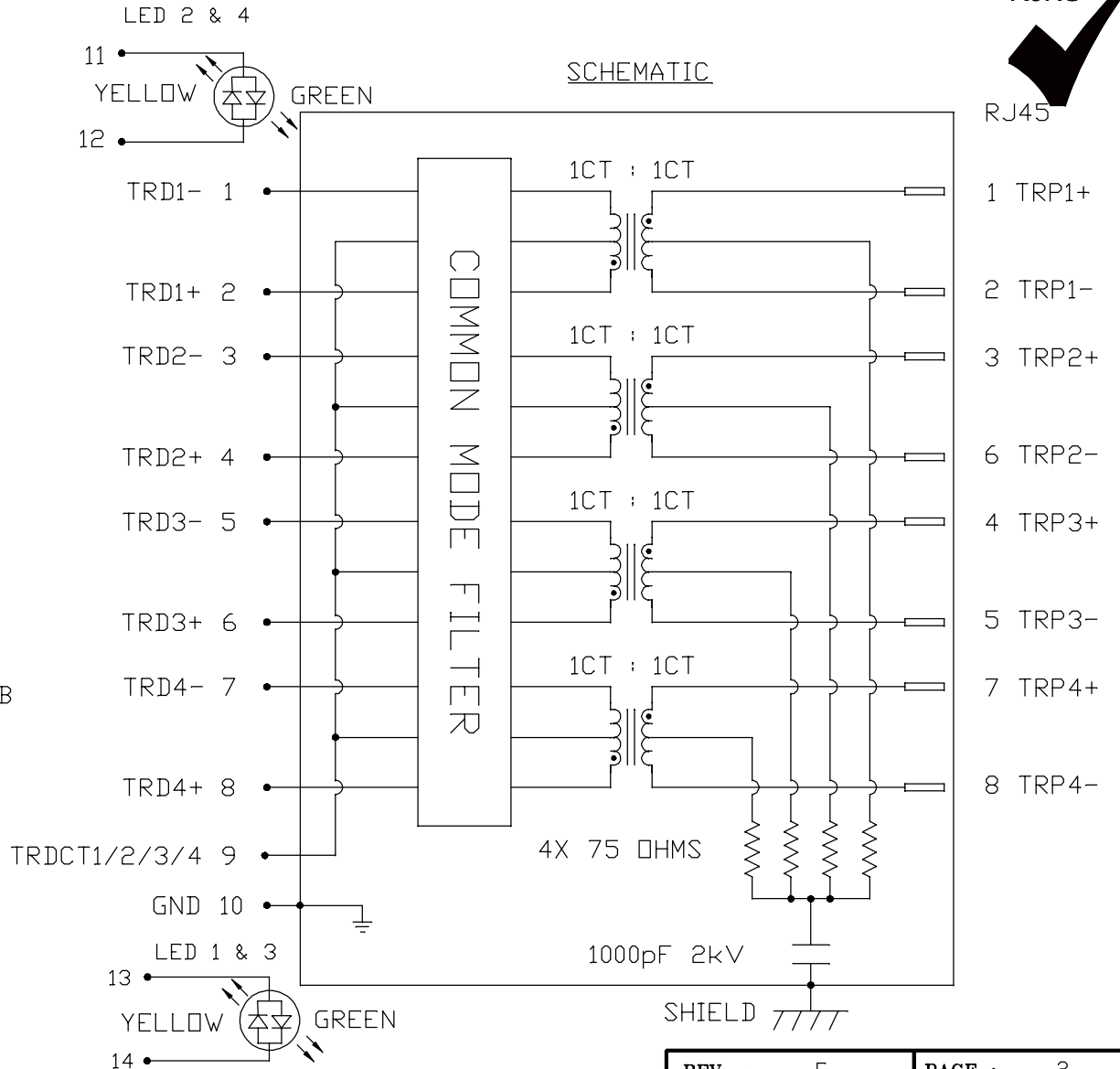
HIPOT (Isolation Voltage):

1500 Vrms

100% OF PRODUCTION TESTED TO COMPLY WITH IEEE 802.3 ISOLATION REQUIREMENT

LEDS 1, 2, 3 AND 4

VF (FORWARD VOLTAGE)	IF=20mA	GREEN	2.2V TYP.
	IF=20mA	YELLOW	2.1V TYP.
λD (DOMINANT WAVELENGTH)	IF=20mA	GREEN	570nm TYP.
	IF=20mA	YELLOW	590nm TYP.



REV. : E PAGE : 2

ORIGINATED BY
CHOW WANCHUNG
DATE 2016-04-15

DRAWN BY
MURPHY LEE
DATE 2016-04-15

TITLE
2X6 gigabit MagJack®
WITH UPPER AND LOWER LED
(8 Cores)
PATENTED

PART NO. / DRAWING NO.
0879-2C6R-54

FILE NAME
0879-2C6R-54_E.DWG

STANDARD DIM.
TOL. IN INCH

X
XX
XXX

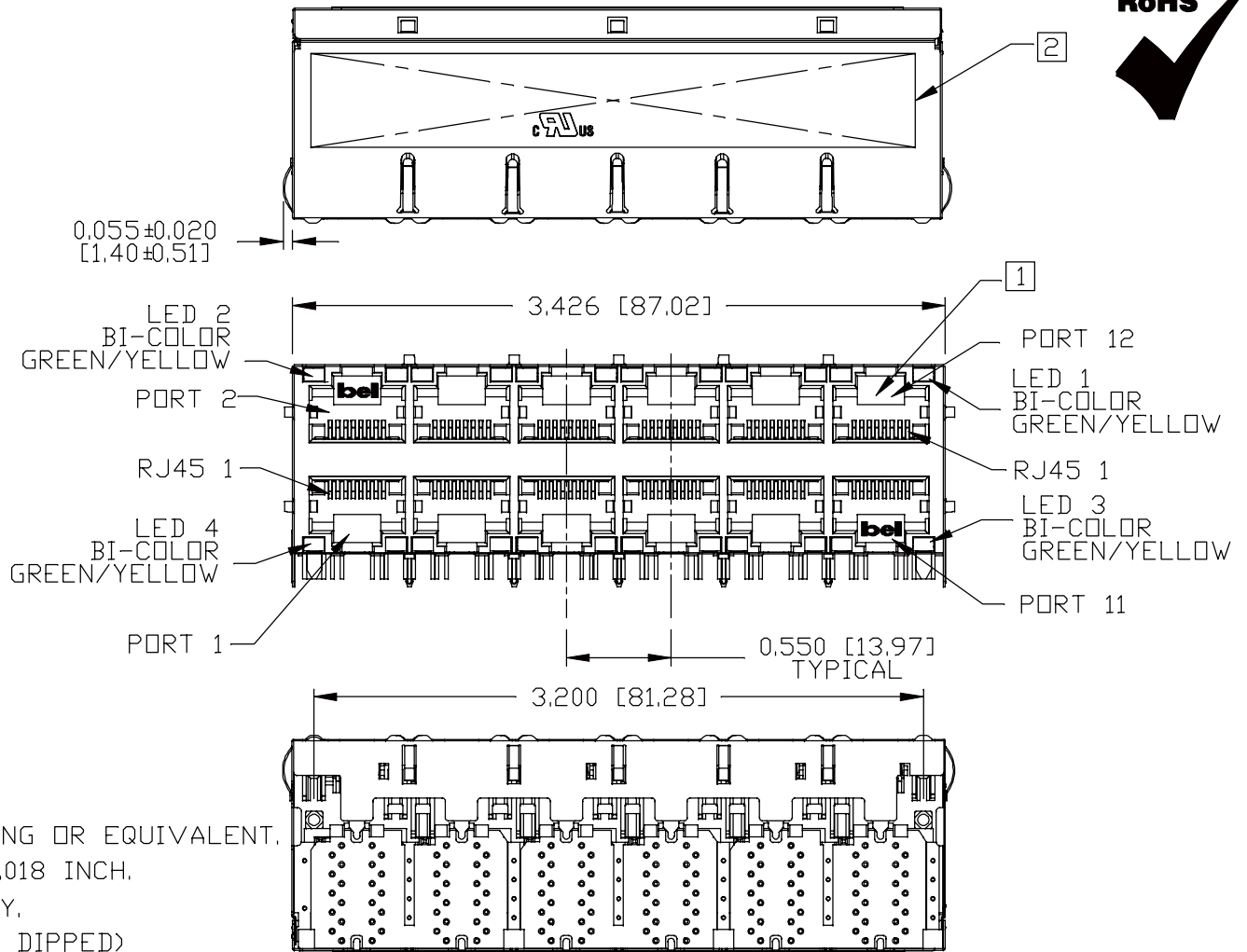
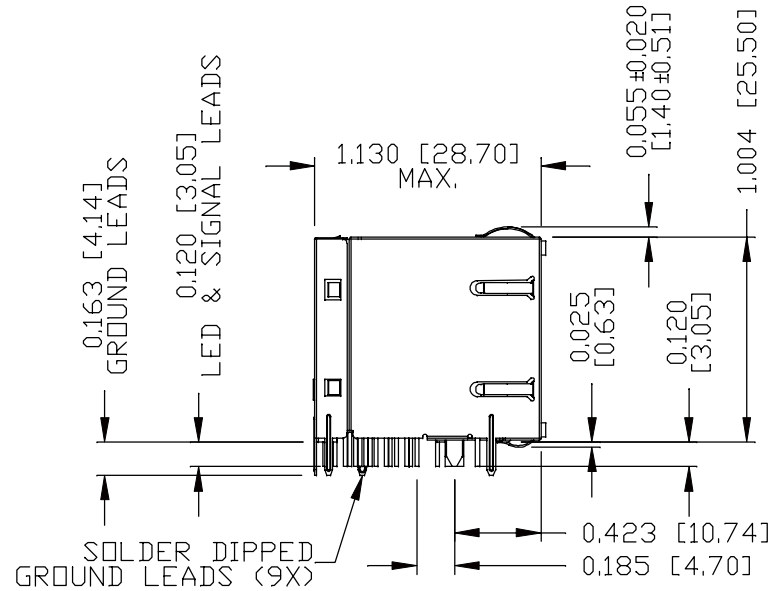
[] METRIC DIM.
AS REF.

UNIT : INCH [mm]
SCALE : N/A
SIZE : A4



THE INFORMATION CONTAINED HEREIN IS CONSIDERED 'PROPRIETARY' TO BEL FUSE INC. AND SHALL NOT BE COPIED, REPRODUCED OR DISCLOSED WITHOUT THE WRITTEN APPROVAL OF BEL FUSE INC.

RoHS



NOTES:

- PLASTIC HOUSING: THERMOPLASTIC PBT
FLAMMABILITY RATING UL 94V-0
- CONTACT PLATING: 50 MICRO-INCH HARD GOLD PLATING OR EQUIVALENT.
- OUTPUT PINS: TIN-COATED COPPER WIRE, DIA 0.018 INCH.
- METAL SHIELD: NICKEL PLATED ON COPPER ALLOY.
(ALL GROUND LEADS ARE SOLDER DIPPED)

- JACK CAVITY CONFORMS TO FCC RULES AND REGULATIONS, PART 68 SUBPART F.
- MARK PART WITH MFG LOGO, MFG NAME, PART NUMBER, DATE CODE AND PATENTED.
- THE PRODUCT IS RoHS COMPLIANT.

c RL us UL RECOGNIZED - FILE #E196366 AND E169987.

4. THE PRODUCT IS PATENTED, THE PATENT NUMBER ARE U.S. PAT. 6,840,817 AND U.S. PAT. 7,123,117.

ORIGINATED BY
SANDY LIN
DATE 2016-04-15
DRAWN BY
XUE RIPING
DATE 2016-04-15

TITLE
2X6 gigabit MagJack®
WITH UPPER AND LOWER LED
(8 Cores)
PATENTED

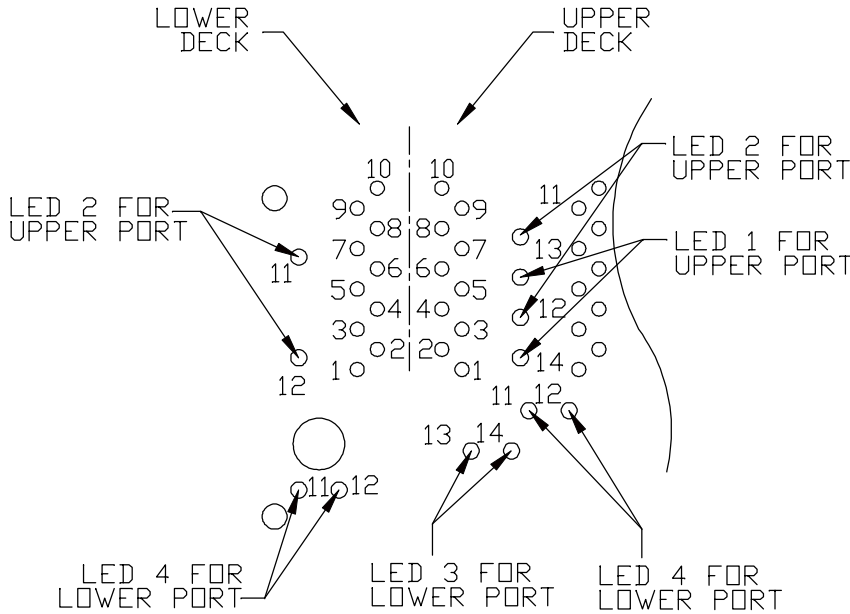
PART NO. / DRAWING NO.
0879-2C6R-54
FILE NAME
0879-2C6R-54_E.DWG

STANDARD DIM. TOL. IN INCH	[] METRIC DIM. AS REF.
.X	UNIT : INCH [mm]
.XX	SCALE : N/A
.XXX	SIZE : A4

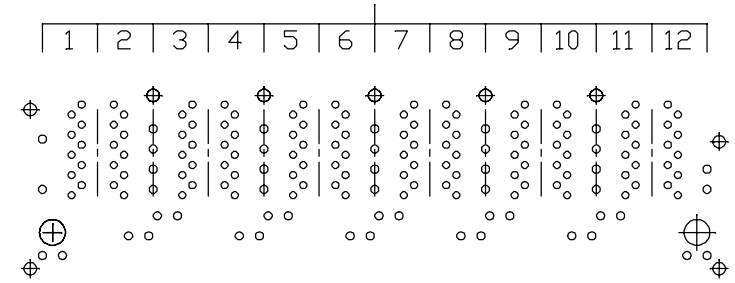
REV. : E	PAGE : 3
<p>a bel group</p>	

THE INFORMATION CONTAINED HEREIN IS CONSIDERED "PROPRIETARY" TO BEL FUSE INC. AND SHALL NOT BE COPIED, REPRODUCED OR DISCLOSED WITHOUT THE WRITTEN APPROVAL OF BEL FUSE INC.

RoHS

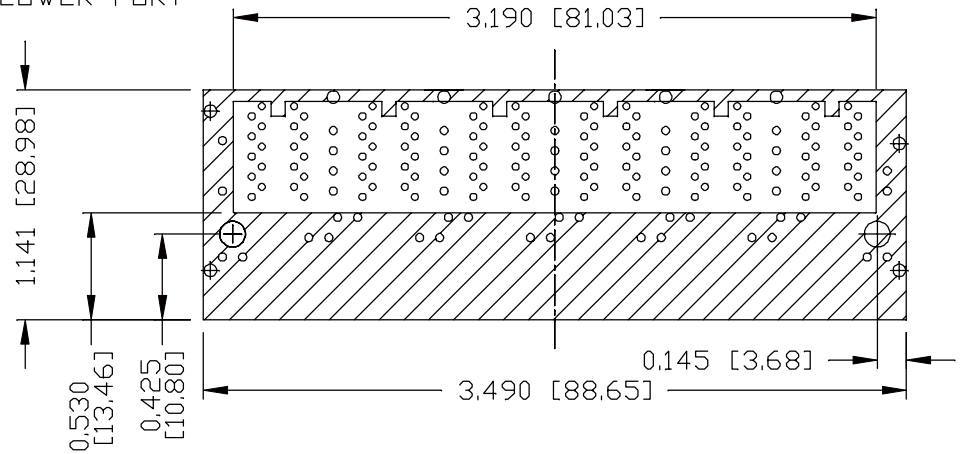


PORT ASSIGNMENT
(COMPONENT SIDE VIEW)



PIN-OUT INFORMATION
(COMPONENT SIDE VIEW)

10	GND		
9	TRDCT1/2/3/4		
8	TRD 4+		
7	TRD 4-		
6	TRD 3+		
5	TRD 3-		
4	TRD 2+	14	GREEN (-) YELLOW (+)
3	TRD 2-	13	GREEN (+) YELLOW (-)
2	TRD 1+	12	GREEN (-) YELLOW (+)
1	TRD 1-	11	GREEN (+) YELLOW (-)



THE SHADED AREA ON THE CUSTOMER BOARD ARE RECOMMENDED TO BE CLEAR OFF ANY VIA HOLE OR COMPONENT PAD.

REV. :	E	PAGE :	4
--------	---	--------	---

ORIGINATED BY
SANDY LIN
DATE 2016-04-15
DRAWN BY
XUE RIPING
DATE 2016-04-15

TITLE
2X6 gigabit MagJack®
WITH UPPER AND LOWER LED
(8 Cores)
PATENTED

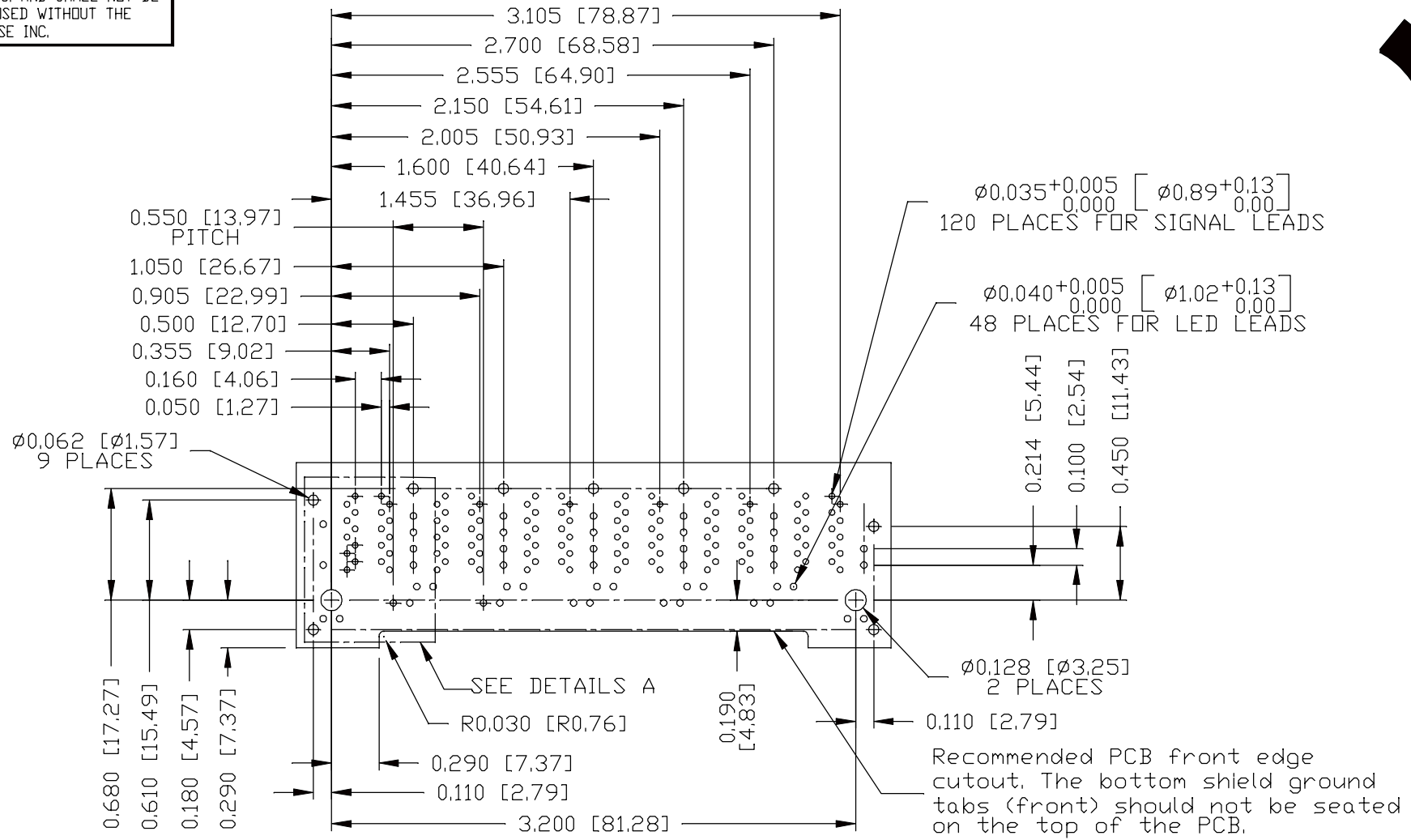
PART NO. / DRAWING NO.
0879-2C6R-54
FILE NAME
0879-2C6R-54_E.DWG

STANDARD DIM. TOL. IN INCH	[] METRIC DIM. AS REF.
.X	UNIT : INCH [mm]
.XX	SCALE : N/A
.XXX ±0.004	SIZE : A4



THE INFORMATION CONTAINED HEREIN IS CONSIDERED "PROPRIETARY" TO BEL FUSE INC. AND SHALL NOT BE COPIED, REPRODUCED OR DISCLOSED WITHOUT THE WRITTEN APPROVAL OF BEL FUSE INC.

RoHS



SUGGESTED FOOTPRINT
(COMPONENT SIDE VIEW)

REV. :	E	PAGE :	5
--------	---	--------	---

ORIGINATED BY SANDY LIN
DATE 2016-04-15
DRAWN BY XUE RIPING
DATE 2016-04-15

TITLE 2X6 gigabit MagJack® WITH UPPER AND LOWER LED (8 Cores) PATENTED
--

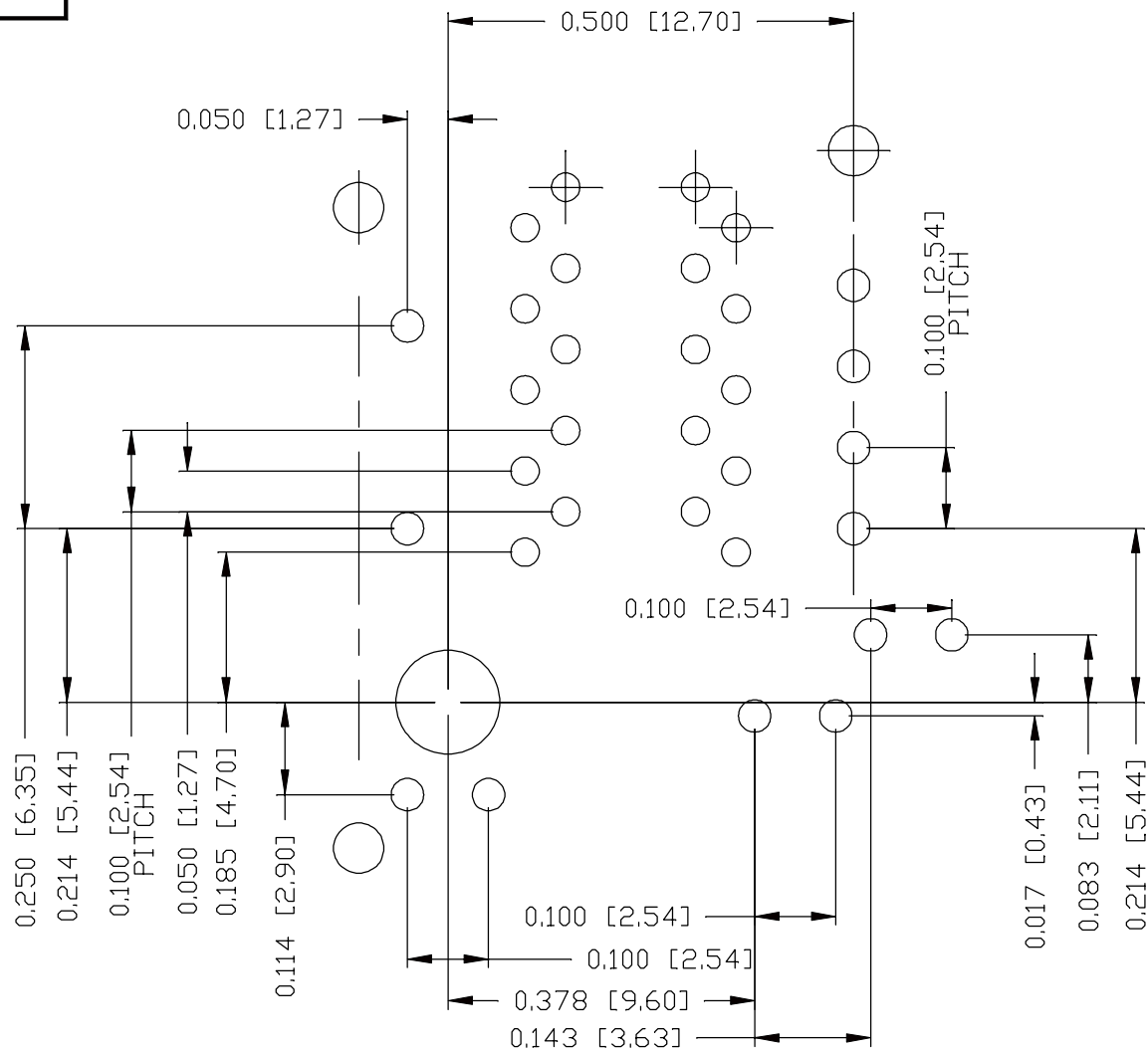
PART NO. / DRAWING NO. 0879-2C6R-54
FILE NAME 0879-2C6R-54_E.DWG

STANDARD DIM. TOL. IN INCH	[] METRIC DIM. AS REF.
.X	UNIT : INCH [mm]
.XX	SCALE : N/A
.XXX ±0.004	SIZE : A4



THE INFORMATION CONTAINED HEREIN IS CONSIDERED "PROPRIETARY" TO BEL FUSE INC. AND SHALL NOT BE COPIED, REPRODUCED OR DISCLOSED WITHOUT THE WRITTEN APPROVAL OF BEL FUSE INC.

RoHS



DETAILS A

ORIGINATED BY
SANDY LIN
DATE 2016-04-15
DRAWN BY
XUE RIPING
DATE 2016-04-15

TITLE
2X6 gigabit MagJack®
WITH UPPER AND LOWER LED
(8 Cores)
PATENTED

PART NO. / DRAWING NO.
0879-2C6R-54
FILE NAME
0879-2C6R-54_E.DWG

STANDARD DIM. TOL. IN INCH		[] METRIC DIM. AS REF.
.X		UNIT : INCH [mm]
.XX		SCALE : N/A
.XXX	±0.004	SIZE : A4

REV. : E PAGE : 6

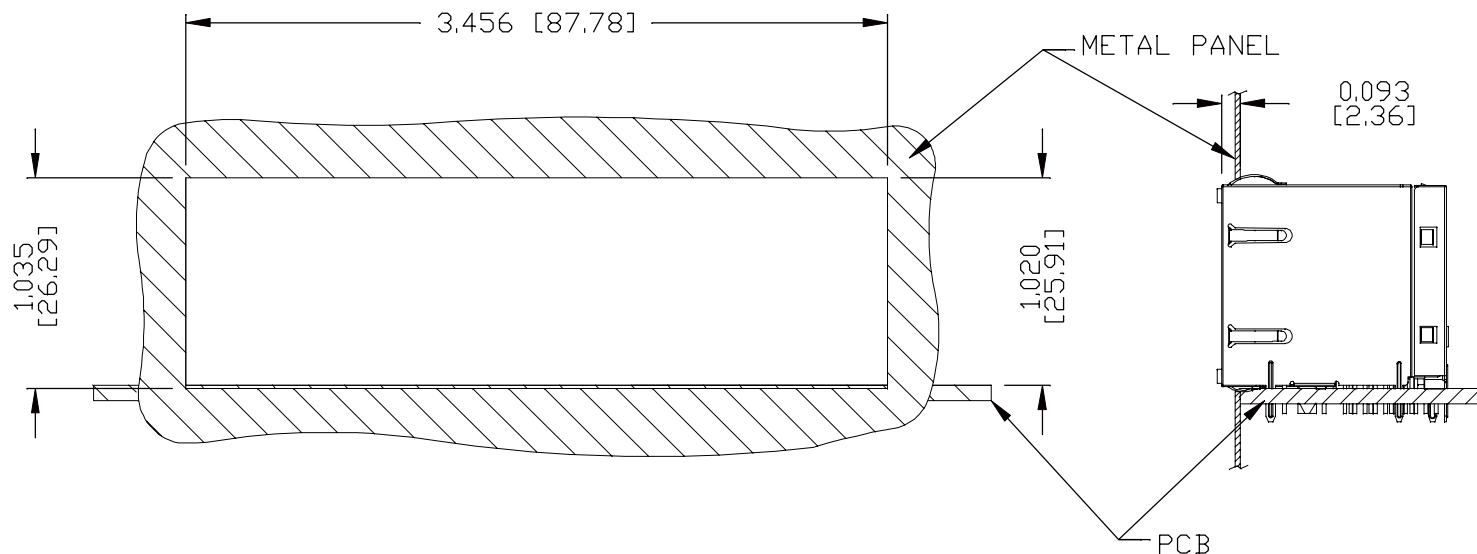


THE INFORMATION CONTAINED HEREIN IS CONSIDERED "PROPRIETARY" TO BEL FUSE INC. AND SHALL NOT BE COPIED, REPRODUCED OR DISCLOSED WITHOUT THE WRITTEN APPROVAL OF BEL FUSE INC.

RoHS



SUGGESTED PANEL OPENING



NOTE:

THE DISTANCE OF PANEL INSIDE SURFACE RELATIVE TO FRONT SURFACE OF PART IS ONLY A SUGGESTION. IN CASE THIS DISTANCE IS DIFFERENT, THE REQUIRED PANEL OPENING DIMENSIONS CHANGE ACCORDINGLY.

PACKING INFORMATION

PACKING TRAY : 0200-9999-P3 (TOP)
0200-9999-P4 (BOTTOM)

PACKING QUANTITY : 14 PCS FINISHED GOODS PER TRAY
7 TRAYS (98 PCS FINISHED GOODS) PER CARTON BOX

NOTE : CARDBOARDS ARE PLACED BETWEEN LAYERS OF PACKING TRAY INSIDE CARTON BOX (INCLUDE THE UPPERMOST AND LOWERMOST TRAY)

REV. :	E	PAGE :	7
--------	---	--------	---

ORIGINATED BY SANDY LIN DATE 2016-04-15	TITLE 2X6 gigabit MagJack® WITH UPPER AND LOWER LED (8 Cores) PATENTED	PART NO. / DRAWING NO. 0879-2C6R-54	STANDARD DIM. TOL. IN INCH	[] METRIC DIM. AS REF.
			.X	UNIT : INCH [mm]
			.XX	SCALE : N/A
DRAWN BY XUE RIPING DATE 2016-04-15		FILE NAME 0879-2C6R-54_E.DWG	.XXX	±0.004
			SIZE : A4	

