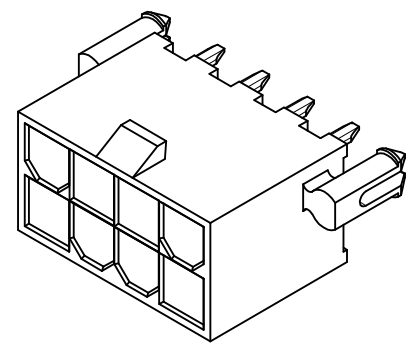


RECOMMENDED HOLE LAYOUT FOR .070(1.78) MAX. THICK P. C. BOARD  
VIEWED FROM COMPONENT SIDE



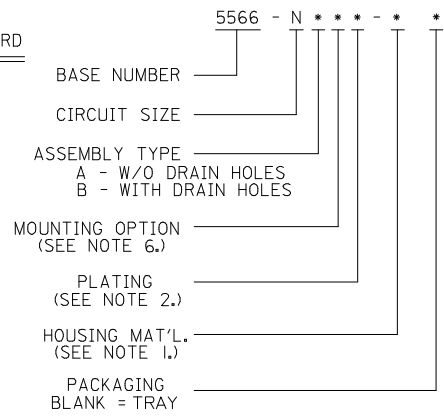
8 CKT SHOWN

CIRCUIT SIZE	DIM. "A"	DIM. "B"	DIM. "C"
2	—	.21 (5.4)	.370 (9.40)
4	.17 (4.2)	.38 (9.6)	.535 (13.60)
6	.33 (8.4)	.54 (13.8)	.701 (17.80)
8	.50 (12.6)	.71 (18.0)	.866 (22.00)
10	.66 (16.8)	.87 (22.2)	1.031 (26.20)
12	.83 (21.0)	1.04 (26.4)	1.197 (30.40)
14	.99 (25.2)	1.20 (30.6)	1.362 (34.60)
16	1.16 (29.4)	1.37 (34.8)	1.528 (38.80)
18	1.32 (33.6)	1.54 (39.0)	1.693 (43.00)
20	1.49 (37.8)	1.70 (43.2)	1.858 (47.20)
22	1.65 (42.0)	1.87 (47.4)	2.024 (51.40)
24	1.82 (46.2)	2.03 (51.6)	2.189 (55.60)

**NOTES:**

- HOUSING MATERIAL:
  - "BLANK" - NYLON, UNFILLED U.L. 94V-2, COLOR: NATURAL.
  - 210 - NYLON, UNFILLED U.L. 94V-0, COLOR: NATURAL.
  - BL - NYLON, UNFILLED U.L. 94V-2, COLOR: BLACK.
  - 400 - NYLON, UNFILLED U.L. 94V-0, COLOR: BLACK.
- TERMINAL MATERIAL: BRASS
- TERMINAL PLATING:
  - "BLANK" - .000035/(.00090) MIN. REFLOWED MATTE TIN OVER .000020/(.00050) MIN. COPPER, (PREPLATE) (FINISH IS BRIGHT IN APPEARANCE, THICKNESS AS APPLIED PRIOR TO REFLOW)
  - GS - .000030/(.00076) MIN. SELECT GOLD .000100/(.00254) MIN. SELECT MATTE TIN OVER .000050/(.00127) MIN. NICKEL OVERALL.
  - GS2 - .000015/(.00038) MIN. SELECT GOLD AND .000100/(.00254) MIN. SELECT MATTE TIN OVER .000050/(.00127) MIN. NICKEL OVERALL.
  - S - .000100/(.00254) MIN. BRIGHT TIN OVER .000050/(.00127) MIN. NICKEL OVERALL.
  - MS - .000100/(.00254) MIN. MATTE TIN OVER .000050/(.00127) MIN. NICKEL OVERALL.
- PRODUCT SPECIFICATION: PS-5556-001
- PACKAGING: SEE CHARTS
- PART MATES WITH MINI-FIT JR. RECEPTACLE #5557.
- MOUNTING OPTIONS:
  - "BLANK" - NO MOUNTING (SEE SD-5566-002 DWG.)
  - 2 - PEG MOUNT
- PART CONFORMS TO CLASS "B" REQUIREMENTS OF COSMETIC SPECIFICATION PS-45499-002
- ANTI-SHINGLING RIB MAY OR MAY NOT APPEAR ON HOUSINGS.
- CONNECTORS ARE NOT TO BE MATED OR UNMATED WHILE CIRCUITS ARE LIVE.
- PARTS ARE NOT DESIGNED FOR CURRENT SHARING.

**LEGEND:**



ADD MATTE P/N'S	QUALITY SYMBOLS
EC NO: UCP2018-0208	▽=0
DRW:ZRHARPER 2017/08/16	▽=0
CHKD:	▽=0
APPR:FSMITH 2017/08/18	▽=0
REV	
R8	

GENERAL TOLERANCES (UNLESS SPECIFIED)	
mm	INCH
4 PLACES ± --- ± ---	RJF
3 PLACES ± --- ± .015	CHECKED BY DATE
2 PLACES ± 0.38 ± .020	GT 8/19/87
1 PLACE ± 0.50 ± ---	APPROVED BY DATE
ANGULAR ±1/2°	FSMITH 2012/01/10
DRAFT WHERE APPLICABLE MUST REMAIN WITHIN DIMENSIONS	

DIMENSION STYLE	
IN/MM	
DRAWN BY	DATE
RJF	8/19/87
CHECKED BY	DATE
GT	8/19/87
APPROVED BY	DATE
FSMITH	2012/01/10
MATERIAL NO.	
SEE SHTS 2-4	
SIZE	
C	

SCALE	DESIGN UNITS	THIRD ANGLE PROJECTION
4:1	METRIC	☉
TITLE		
MINI-FIT JR. VERTICAL HEADER ASSEMBLIES WITH MOUNTING PEGS		
MOLEX MOLEX INCORPORATED		
DOCUMENT NO.	SHEET NO.	
SDA-5566-N*2*-*	1 OF 4	
THIS DRAWING CONTAINS INFORMATION THAT IS PROPRIETARY TO MOLEX INCORPORATED AND SHOULD NOT BE USED WITHOUT WRITTEN PERMISSION		

	13	12	11	10	9	8	7	6	5	4	3	2	1
J	PLATING: 35 M.I. TIN			PLATING: 35 M.I. TIN			PLATING: 30 M.I. GOLD			PLATING: 30 M.I. GOLD			
	DRAIN HOLES: WITHOUT DRAIN HOLES			DRAIN HOLES: WITHOUT DRAIN HOLES			DRAIN HOLES: WITHOUT DRAIN HOLES			DRAIN HOLES: WITHOUT DRAIN HOLES			
	MTG. OPTION: WITH PEGS			MTG. OPTION: WITH PEGS			MTG. OPTION: WITH PEGS			MTG. OPTION: WITH PEGS			
	HOUSING MAT'L: NYLON 6/6 94V-2 NATURAL			HOUSING MAT'L: NYLON 6/6 94V-0 NATURAL			HOUSING MAT'L: NYLON 6/6 94V-2 NATURAL			HOUSING MAT'L: NYLON 6/6 94V-0 NATURAL			
	PACKAGING: PK-5566-001			PACKAGING: PK-5566-001			PACKAGING: PK-5566-001			PACKAGING: PK-5566-001			
I	PART NO.	ENG NO.	CKTS	PART NO.	ENG NO.	CKTS	PART NO.	ENG NO.	CKTS	PART NO.	ENG NO.	CKTS	
	39-29-9023	5566 -02A2	2	39-29-9027	5566 -02A2-210	2	39-29-9025	5566 -02A2GS	2	39-29-9029	5566 -02A2GS-210	2	
	39-29-9043	5566 -04A2	4	39-29-9047	5566 -04A2-210	4	39-29-9045	5566 -04A2GS	4	39-29-9049	5566 -04A2GS-210	4	
	39-29-9063	5566 -06A2	6	39-29-9067	5566 -06A2-210	6	39-29-9065	5566 -06A2GS	6	39-29-9069	5566 -06A2GS-210	6	
	39-29-9083	5566 -08A2	8	39-29-9087	5566 -08A2-210	8	39-29-9085	5566 -08A2GS	8	39-29-9089	5566 -08A2GS-210	8	
	39-29-9103	5566 -10A2	10	39-29-9107	5566 -10A2-210	10	39-29-9105	5566 -10A2GS	10	39-29-9109	5566 -10A2GS-210	10	
	39-29-9123	5566 -12A2	12	39-29-9127	5566 -12A2-210	12	39-29-9125	5566 -12A2GS	12	39-29-9129	5566 -12A2GS-210	12	
	39-29-9143	5566 -14A2	14	39-29-9147	5566 -14A2-210	14	39-29-9145	5566 -14A2GS	14	39-29-9149	5566 -14A2GS-210	14	
	39-29-9163	5566 -16A2	16	39-29-9167	5566 -16A2-210	16	39-29-9165	5566 -16A2GS	16	39-29-9169	5566 -16A2GS-210	16	
	39-29-9183	5566 -18A2	18	39-29-9187	5566 -18A2-210	18	39-29-9185	5566 -18A2GS	18	39-29-9189	5566 -18A2GS-210	18	
	39-29-9203	5566 -20A2	20	39-29-9207	5566 -20A2-210	20	39-29-9205	5566 -20A2GS	20	39-29-9209	5566 -20A2GS-210	20	
	39-29-9223	5566 -22A2	22	39-29-9227	5566 -22A2-210	22	39-29-9225	5566 -22A2GS	22	39-29-9229	5566 -22A2GS-210	22	
	39-29-9243	5566 -24A2	24	39-29-9247	5566 -24A2-210	24	39-29-9245	5566 -24A2GS	24	39-29-9249	5566 -24A2GS-210	24	
	-	-	-	-	-	-	-	-	-	-	-	-	

G	PLATING: 35 M.I. TIN			PLATING: 35 M.I. TIN			PLATING: 30 M.I. GOLD			PLATING: 30 M.I. GOLD		
	DRAIN HOLES: WITH DRAIN HOLES			DRAIN HOLES: WITH DRAIN HOLES			DRAIN HOLES: WITH DRAIN HOLES			DRAIN HOLES: WITH DRAIN HOLES		
	MTG. OPTION: WITH PEGS			MTG. OPTION: WITH PEGS			MTG. OPTION: WITH PEGS			MTG. OPTION: WITH PEGS		
	HOUSING MAT'L: NYLON 6/6 94V-2 NATURAL			HOUSING MAT'L: NYLON 6/6 94V-0 NATURAL			HOUSING MAT'L: NYLON 6/6 94V-2 NATURAL			HOUSING MAT'L: NYLON 6/6 94V-0 NATURAL		
	PACKAGING: PK-5566-001			PACKAGING: PK-5566-001			PACKAGING: PK-5566-001			PACKAGING: PK-5566-001		
F	PART NO.	ENG NO.	CKTS	PART NO.	ENG NO.	CKTS	PART NO.	ENG NO.	CKTS	PART NO.	ENG NO.	CKTS
	39-29-9042	5566 -02B2	2	39-29-9046	5566 -02B2-210	2	39-29-9044	5566 -02B2GS	2	39-28-9048	5566 -02B2GS-210	2
	39-29-9062	5566 -06B2	6	39-29-9066	5566 -06B2-210	6	39-29-9064	5566 -06B2GS	6	39-28-9068	5566 -06B2GS-210	6
	39-29-9082	5566 -08B2	8	39-29-9086	5566 -08B2-210	8	39-29-9084	5566 -08B2GS	8	39-28-9088	5566 -08B2GS-210	8
	39-29-9102	5566 -10B2	10	39-29-9106	5566 -10B2-210	10	39-29-9104	5566 -10B2GS	10	39-28-9108	5566 -10B2GS-210	10
	39-29-9122	5566 -12B2	12	39-29-9126	5566 -12B2-210	12	39-29-9124	5566 -12B2GS	12	39-28-9128	5566 -12B2GS-210	12
	39-29-9142	5566 -14B2	14	39-29-9146	5566 -14B2-210	14	39-29-9144	5566 -14B2GS	14	39-28-9148	5566 -14B2GS-210	14
	39-29-9162	5566 -16B2	16	39-29-9166	5566 -16B2-210	16	39-29-9164	5566 -16B2GS	16	39-28-9168	5566 -16B2GS-210	16
	39-29-9182	5566 -18B2	18	39-29-9186	5566 -18B2-210	18	39-29-9184	5566 -18B2GS	18	39-28-9188	5566 -18B2GS-210	18
	39-29-9202	5566 -20B2	20	39-29-9206	5566 -20B2-210	20	39-29-9204	5566 -20B2GS	20	39-28-9208	5566 -20B2GS-210	20
	39-29-9222	5566 -22B2	22	39-29-9226	5566 -22B2-210	22	39-29-9224	5566 -22B2GS	22	39-28-9228	5566 -22B2GS-210	22
	39-29-9242	5566 -24B2	24	39-29-9246	5566 -24B2-210	24	39-29-9244	5566 -24B2GS	24	39-28-9248	5566 -24B2GS-210	24
	-	-	-	-	-	-	-	-	-	-	-	-

A	SEE SHEET 1 EC NO: UCP2018-0208 DRAWN: ZHARPER 2017/08/16 CHKD: APPR: FSMITH 2017/08/18 REV	QUALITY SYMBOLS ▽=0 ▽=0 ▽=0	GENERAL TOLERANCES (UNLESS SPECIFIED) mm INCH 4 PLACES ± --- ± --- 3 PLACES ± --- ± .015 2 PLACES ± 0.38 ± .020 1 PLACE ± 0.50 ± --- ANGULAR ± 1/2°	DIMENSION STYLE IN/MM DRAWN BY DATE RJF 8/19/87 CHECKED BY DATE GT 8/19/87 APPROVED BY DATE FSMITH 2012/01/10	SCALE 1:1	DESIGN UNITS METRIC	THIRD ANGLE PROJECTION	TITLE MINI-FIT JR. VERTICAL HEADER ASSEMBLIES WITH MOUNTING PEGS	MATERIAL NO. SEE CHART	DOCUMENT NO. SDA-5566-N*2*-*	SHEET NO. 2 OF 4

	13	12	11	10	9	8	7	6	5	4	3	2	1
J	PLATING: 100 M.I. BRIGHT TIN			PLATING: 100 M.I. BRIGHT TIN			PLATING: 15 M.I. SELECT GOLD			PLATING: 15 M.I. SELECT GOLD			
	DRAIN HOLES: WITHOUT DRAIN HOLES			DRAIN HOLES: WITHOUT DRAIN HOLES			DRAIN HOLES: WITHOUT DRAIN HOLES			DRAIN HOLES: WITHOUT DRAIN HOLES			
	MTG. OPTION: WITH PEGS			MTG. OPTION: WITH PEGS			MTG. OPTION: WITH PEGS			MTG. OPTION: WITH PEGS			
	HOUSING MAT'L: NYLON 6/6 94V-2 NATURAL			HOUSING MAT'L: NYLON 6/6 94V-0 NATURAL			HOUSING MAT'L: NYLON 6/6 94V-2 NATURAL			HOUSING MAT'L: NYLON 6/6 94V-0 NATURAL			
	PACKAGING: PK-5566-001			PACKAGING: PK-5566-001			PACKAGING: PK-5566-001			PACKAGING: PK-5566-001			
I	PART NO.	ENG NO.	CKTS	PART NO.	ENG NO.	CKTS	PART NO.	ENG NO.	CKTS	PART NO.	ENG NO.	CKTS	
	39-30-6025	5566 -02A2S	2	39-30-6026	5566 -02A2S-210	2	39-30-0026	5566 -02A2GS2	2	39-30-0027	5566 -02A2GS2-210	2	
	39-30-6045	5566 -04A2S	4	39-30-6046	5566 -04A2S-210	4	39-30-0046	5566 -04A2GS2	4	39-30-0047	5566 -04A2GS2-210	4	
	39-30-6065	5566 -06A2S	6	39-30-6066	5566 -06A2S-210	6	39-30-0066	5566 -06A2GS2	6	39-30-0067	5566 -06A2GS2-210	6	
	39-30-6085	5566 -08A2S	8	39-30-6086	5566 -08A2S-210	8	39-30-0086	5566 -08A2GS2	8	39-30-0087	5566 -08A2GS2-210	8	
	39-30-6105	5566 -10A2S	10	39-30-6106	5566 -10A2S-210	10	39-30-0106	5566 -10A2GS2	10	39-30-0107	5566 -10A2GS2-210	10	
	39-30-6125	5566 -12A2S	12	39-30-6126	5566 -12A2S-210	12	39-30-0126	5566 -12A2GS2	12	39-30-0127	5566 -12A2GS2-210	12	
	39-30-6145	5566 -14A2S	14	39-30-6146	5566 -14A2S-210	14	39-30-0146	5566 -14A2GS2	14	39-30-0147	5566 -14A2GS2-210	14	
	39-30-6165	5566 -16A2S	16	39-30-6166	5566 -16A2S-210	16	39-30-0166	5566 -16A2GS2	16	39-30-0167	5566 -16A2GS2-210	16	
	39-30-6185	5566 -18A2S	18	39-30-6186	5566 -18A2S-210	18	39-30-0186	5566 -18A2GS2	18	39-30-0187	5566 -18A2GS2-210	18	
	39-30-6205	5566 -20A2S	20	39-30-6206	5566 -20A2S-210	20	39-30-0206	5566 -20A2GS2	20	39-30-0207	5566 -20A2GS2-210	20	
	39-30-6225	5566 -22A2S	22	39-30-6226	5566 -22A2S-210	22	39-30-0226	5566 -22A2GS2	22	39-30-0227	5566 -22A2GS2-210	22	
	39-30-6245	5566 -24A2S	24	39-30-6246	5566 -24A2S-210	24	39-30-0246	5566 -24A2GS2	24	39-30-0247	5566 -24A2GS2-210	24	
	-	-	-	-	-	-	-	-	-	-	-	-	

G	PLATING: 100 M.I. BRIGHT TIN			PLATING: 100 M.I. BRIGHT TIN			PLATING: 100 M.I. MATTE TIN			PLATING: 100 M.I. MATTE TIN		
	DRAIN HOLES: WITH DRAIN HOLES			DRAIN HOLES: WITH DRAIN HOLES			DRAIN HOLES: WITHOUT DRAIN HOLES			DRAIN HOLES: WITHOUT DRAIN HOLES		
	MTG. OPTION: WITH PEGS			MTG. OPTION: WITH PEGS			MTG. OPTION: WITH PEGS			MTG. OPTION: WITH PEGS		
	HOUSING MAT'L: NYLON 6/6 94V-2 NATURAL			HOUSING MAT'L: NYLON 6/6 94V-0 NATURAL			HOUSING MAT'L: NYLON 6/6 94V-2 NATURAL			HOUSING MAT'L: NYLON 6/6 94V-0 NATURAL		
	PACKAGING: PK-5566-001			PACKAGING: PK-5566-001			PACKAGING: PK-5566-001			PACKAGING: PK-5566-001		
F	PART NO.	ENG NO.	CKTS	PART NO.	ENG NO.	CKTS	PART NO.	ENG NO.	CKTS	PART NO.	ENG NO.	CKTS
	39-30-6047	5566 -02B2S	2	39-30-6048	5566 -04B2S-210	4	46999-0612	5566 -02A2MS	2	46999-0621	5566 -02A2MS-210	2
	39-30-6067	5566 -06B2S	6	39-30-6068	5566 -06B2S-210	6	46999-0501	5566 -04A2MS	4	46999-0502	5566 -04A2MS-210	4
	39-30-6087	5566 -08B2S	8	39-30-6088	5566 -08B2S-210	8	50-34-8559	5566 -06A2MS	6	50-34-8562	5566 -06A2MS-210	6
	39-30-6107	5566 -10B2S	10	39-30-6108	5566 -10B2S-210	10	46999-0613	5566 -08A2MS	8	50-34-8563	5566 -08A2MS-210	8
	39-30-6127	5566 -12B2S	12	39-30-6128	5566 -12B2S-210	12	46999-0614	5566 -10A2MS	10	46999-0622	5566 -10A2MS-210	10
	39-30-6147	5566 -14B2S	14	39-30-6148	5566 -14B2S-210	14	46999-0615	5566 -12A2MS	12	46999-0623	5566 -12A2MS-210	12
	39-30-6167	5566 -16B2S	16	39-30-6168	5566 -16B2S-210	16	46999-0616	5566 -14A2MS	14	50-34-8561	5566 -14A2MS-210	14
	39-30-6187	5566 -18B2S	18	39-30-6188	5566 -18B2S-210	18	46999-0617	5566 -16A2MS	16	46999-0624	5566 -16A2MS-210	16
	39-30-6207	5566 -20B2S	20	39-30-6208	5566 -20B2S-210	20	46999-0618	5566 -18A2MS	18	50-34-8564	5566 -18A2MS-210	18
	39-30-6227	5566 -22B2S	22	39-30-6228	5566 -22B2S-210	22	50-34-8560	5566 -20A2MS	20	50-34-2357	5566 -20A2MS-210	20
	39-30-6247	5566 -24B2S	24	39-30-6248	5566 -24B2S-210	24	46999-0619	5566 -22A2MS	22	46999-0625	5566 -22A2MS-210	22
	-	-	-	-	-	-	46999-0620	5566 -24A2MS	24	50-34-8566	5566 -24A2MS-210	24

SEE SHEET 1 EC NO: UCP2018-0208 DRAWN: ZHARPER 2017/08/16 CHKD: APPR: FSMITH 2017/08/18 REV	QUALITY SYMBOLS	GENERAL TOLERANCES (UNLESS SPECIFIED)	DIMENSION STYLE	SCALE	DESIGN UNITS	THIRD ANGLE PROJECTION
	▽=0 ▽=0 ▽=0	4 PLACES ± --- ± --- 3 PLACES ± --- ± .015 2 PLACES ± 0.38 ± .020 1 PLACE ± 0.50 ± --- ANGULAR ± 1/2°	IN/MM DRAWN BY DATE R/JF 8/19/87 CHECKED BY DATE GT 8/19/87 APPROVED BY DATE FSMITH 2012/01/10	1:1	METRIC	
R8	DRAFT WHERE APPLICABLE MUST REMAIN WITHIN DIMENSIONS	SEE CHART	TITLE		MOLEX INCORPORATED	
			MATERIAL NO. DOCUMENT NO.		SHEET NO.	
			SDA-5566-N*2*-*		3 OF 4	
			THIS DRAWING CONTAINS INFORMATION THAT IS PROPRIETARY TO MOLEX INCORPORATED AND SHOULD NOT BE USED WITHOUT WRITTEN PERMISSION			

13			12			11			10			9			8			7			6			5			4			3			2			1		
PLATING:			35 M.I. TIN			PLATING:						PLATING:						PLATING:						PLATING:						PLATING:								
DRAIN HOLES:			WITHOUT DRAIN HOLES			DRAIN HOLES:						DRAIN HOLES:						DRAIN HOLES:						DRAIN HOLES:						DRAIN HOLES:								
MTG. OPTION:			WITH PEGS			MTG. OPTION:						MTG. OPTION:						MTG. OPTION:						MTG. OPTION:						MTG. OPTION:								
HOUSING MAT'L:			NYLON 6/6 94V-2 (BLACK)			HOUSING MAT'L:						HOUSING MAT'L:						HOUSING MAT'L:						HOUSING MAT'L:						HOUSING MAT'L:								
PACKAGING:			PK-5566-001			PACKAGING:						PACKAGING:						PACKAGING:						PACKAGING:						PACKAGING:								
PART NO.	ENG NO.		CKTS		PART NO.	ENG NO.		CKTS		PART NO.	ENG NO.		CKTS		PART NO.	ENG NO.		CKTS		PART NO.	ENG NO.		CKTS		PART NO.	ENG NO.		CKTS										
39-31-9048	5566	-04A2-BL	4			-					-					-					-					-												
39-31-9088	5566	-08A2-BL	8			-					-					-					-					-												

PLATING:						PLATING:			100 M.I. MATTE TIN			PLATING:						PLATING:						PLATING:						PLATING:					
DRAIN HOLES:						DRAIN HOLES:			WITHOUT DRAIN HOLES			DRAIN HOLES:						DRAIN HOLES:						DRAIN HOLES:						DRAIN HOLES:					
MTG. OPTION:						MTG. OPTION:			WITH PEGS			MTG. OPTION:						MTG. OPTION:						MTG. OPTION:						MTG. OPTION:					
HOUSING MAT'L:						HOUSING MAT'L:			NYLON 6/6 94V-0 BLACK			HOUSING MAT'L:						HOUSING MAT'L:						HOUSING MAT'L:						HOUSING MAT'L:					
PACKAGING:						PACKAGING:			PK-5566-001			PACKAGING:						PACKAGING:						PACKAGING:						PACKAGING:					
PART NO.	ENG NO.		CKTS		PART NO.	ENG NO.		CKTS		PART NO.	ENG NO.		CKTS		PART NO.	ENG NO.		CKTS		PART NO.	ENG NO.		CKTS		PART NO.	ENG NO.		CKTS							
	-				46999-0335	5566-02A2MS-400		2			-					-					-				-										
	-				46999-0336	5566-04A2MS-400		4			-					-					-				-										
	-				46999-0337	5566-06A2MS-400		6			-					-					-				-										
	-				46999-0338	5566-08A2MS-400		8			-					-					-				-										
	-				46999-0339	5566-10A2MS-400		10			-					-					-				-										
	-				46999-0340	5566-12A2MS-400		12			-					-					-				-										
	-				46999-0341	5566-14A2MS-400		14			-					-					-				-										
	-				46999-0342	5566-16A2MS-400		16			-					-					-				-										
	-				46999-0343	5566-18A2MS-400		18			-					-					-				-										
	-				46999-0344	5566-20A2MS-400		20			-					-					-				-										
	-				46999-0345	5566-22A2MS-400		22			-					-					-				-										
	-				46999-0346	5566-24A2MS-400		24			-					-					-				-										

<b>SEE SHEET 1</b> EC NO: UCP2018-0208 DRWN:ZHARPER 2017/08/16 CHKD: APPR:FSMITH 2017/08/18 REV: R8	QUALITY SYMBOLS	GENERAL TOLERANCES (UNLESS SPECIFIED)	DIMENSION STYLE	SCALE	DESIGN UNITS	THIRD ANGLE PROJECTION
	▽=0	mm INCH	IN/MM	1:1	METRIC	
	▽=0	4 PLACES ± --- ± ---	DRAWN BY DATE	TITLE		
	▽=0	3 PLACES ± --- ±.015	RJF 8/19/87	MINI-FIT JR. VERTICAL HEADER ASSEMBLIES WITH MOUNTING PEGS		
	2 PLACES ±0.38 ±.020	CHECKED BY DATE	MOLEX INCORPORATED			
	1 PLACE ±0.50 ±---	GT 8/19/87	SDA-5566-N*2*-*			
	ANGULAR ±1/2°	APPROVED BY DATE	SHEET NO.			
	DRAFT WHERE APPLICABLE MUST REMAIN WITHIN DIMENSIONS	FSMITH 2012/01/10	4 OF 4			
		MATERIAL NO.	THIS DRAWING CONTAINS INFORMATION THAT IS PROPRIETARY TO MOLEX INCORPORATED AND SHOULD NOT BE USED WITHOUT WRITTEN PERMISSION			
		SIZE				

12			11			10			9			8			7			6			5			4			3			2			1		
----	--	--	----	--	--	----	--	--	---	--	--	---	--	--	---	--	--	---	--	--	---	--	--	---	--	--	---	--	--	---	--	--	---	--	--