

Accessories for STM 295 / Ex STM 295

Straight actuator STM 295-B1

Material number: 1183481 (Material number old: 04.95.1233)

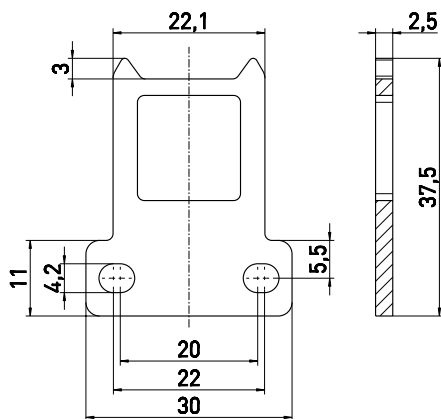
Features/Options:

- Stainless steel 1.4301
- Actuating radius on hinged guards a = 350 mm and b = 700 mm
- Axial misalignment x = 11 mm

Notes

- 3 slot sealing plugs are included in delivery

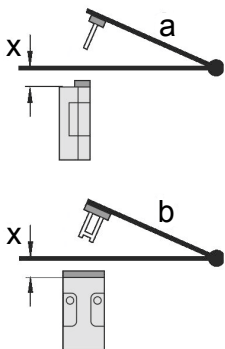
Dimensions



Technical data

Weight	14 g
--------	------

Actuating radii



The axis of the hinge should be x mm above the top edge of the safety switch and in the same plane.

a = Actuating radius to the plane of the actuator

b = Actuating radius in line with the plane of the actuator

x = Axial misalignment

Attention! x must be referred to the surface of the enclosure and not to the inserted actuator!

Errors and omissions excepted.