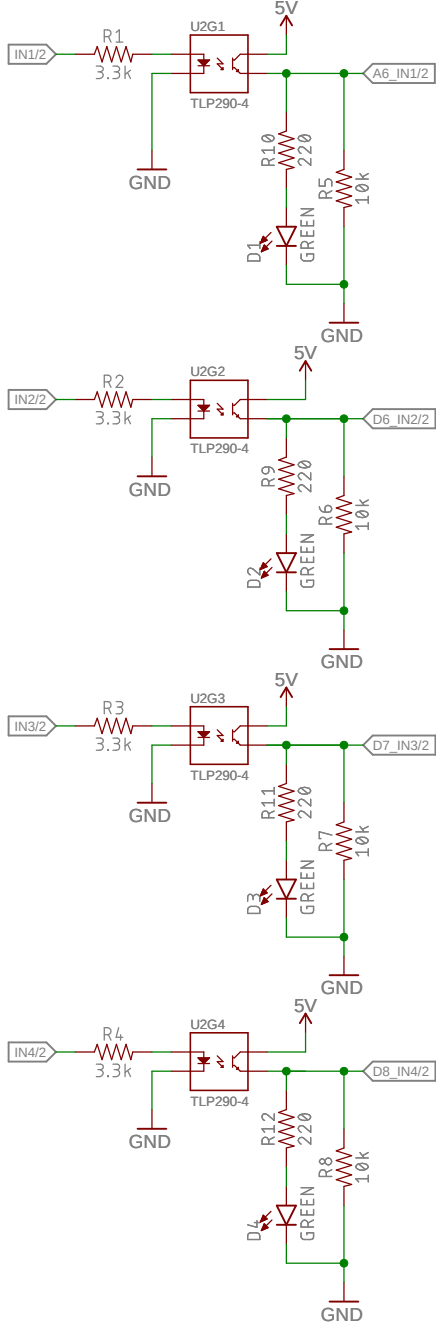
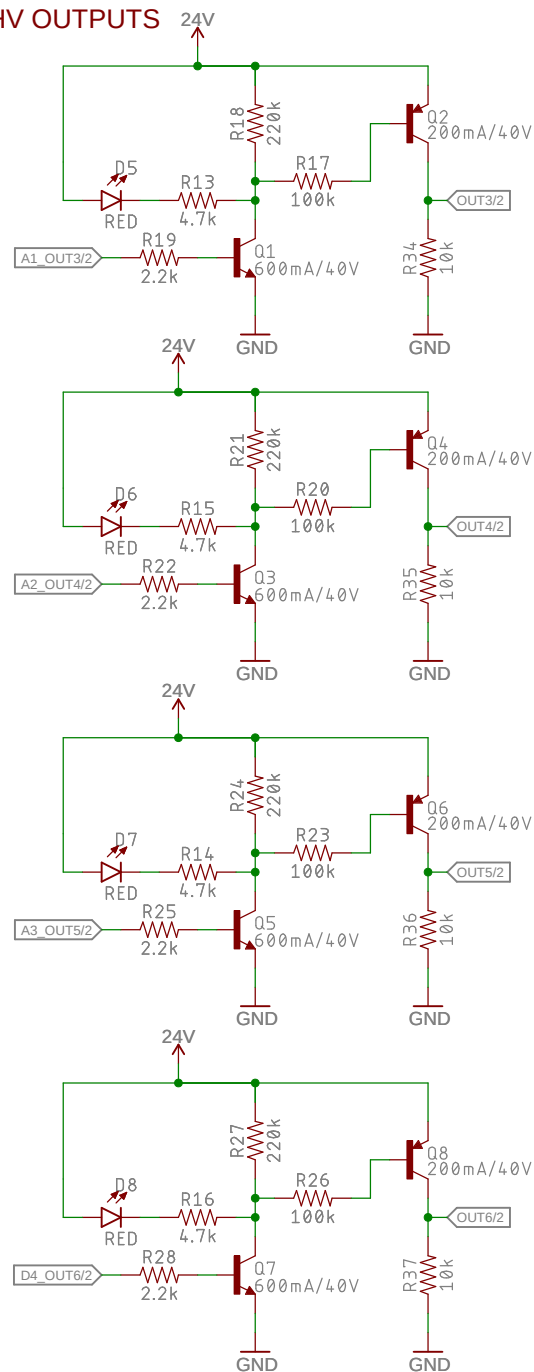


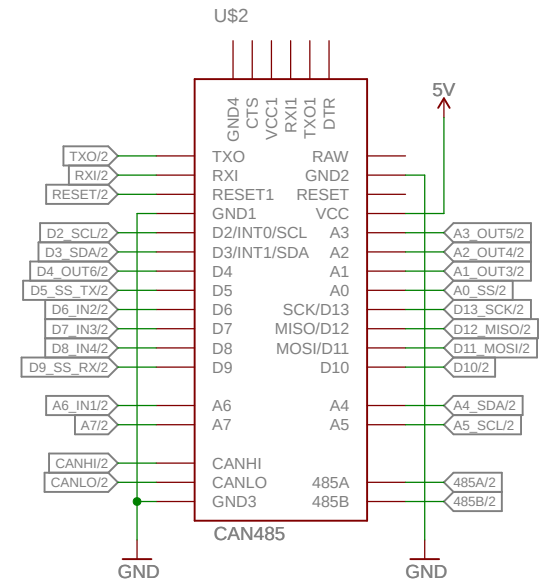
### HV INPUT



### HV OUTPUTS



### AST-CAN485 SOCKET



Released under the Creative Commons Attribution Share-Alike 4.0 License  
<https://creativecommons.org/licenses/by-sa/4.0/>

TITLE: SparkFun\_AST-CAN485\_IO\_Shield

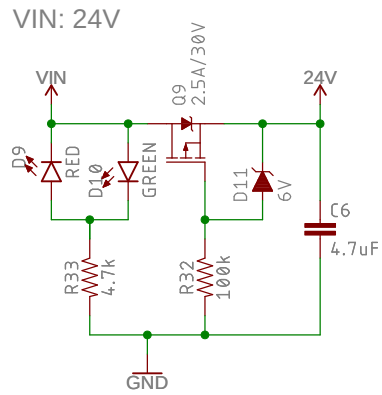
Design by: C. Malan  
 Revised by: Alex Wende

REV:  
v10

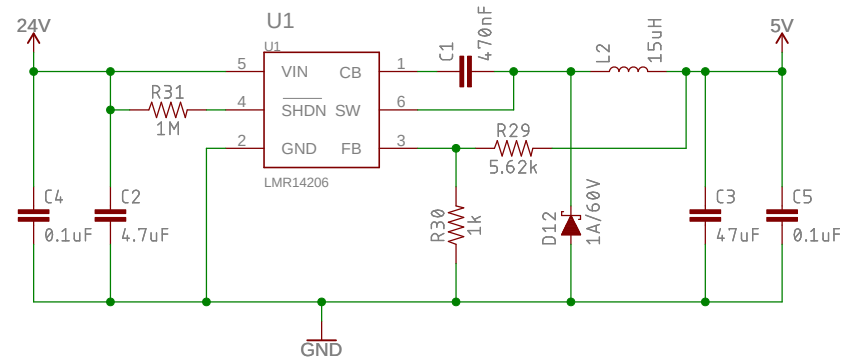
Date: 2/15/2019 9:38 AM

Sheet: 1/2

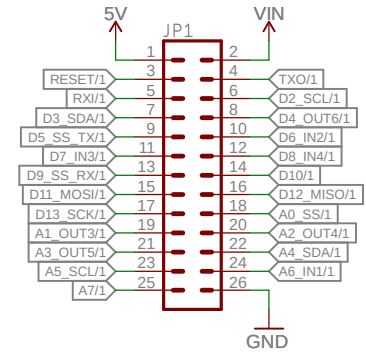
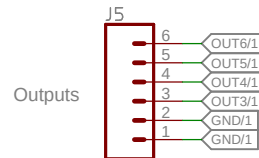
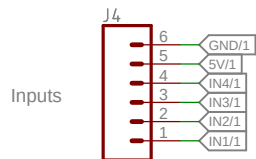
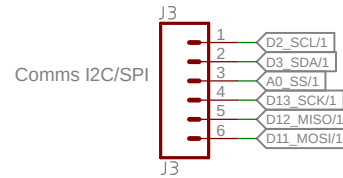
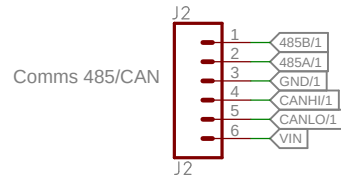
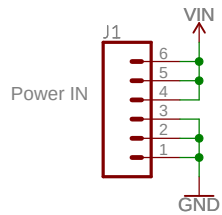
## Reverse Voltage Protection



## Buck Converter



## Connectors



Released under the Creative Commons  
Attribution Share-Alike 4.0 License  
<https://creativecommons.org/licenses/by-sa/4.0/>

TITLE: SparkFun\_AST-CAN485\_IO\_Shield

Design by: C. Malan  
Revised by: Alex Wende

REV:  
v10

Date: 2/15/2019 9:38 AM

Sheet: 2/2