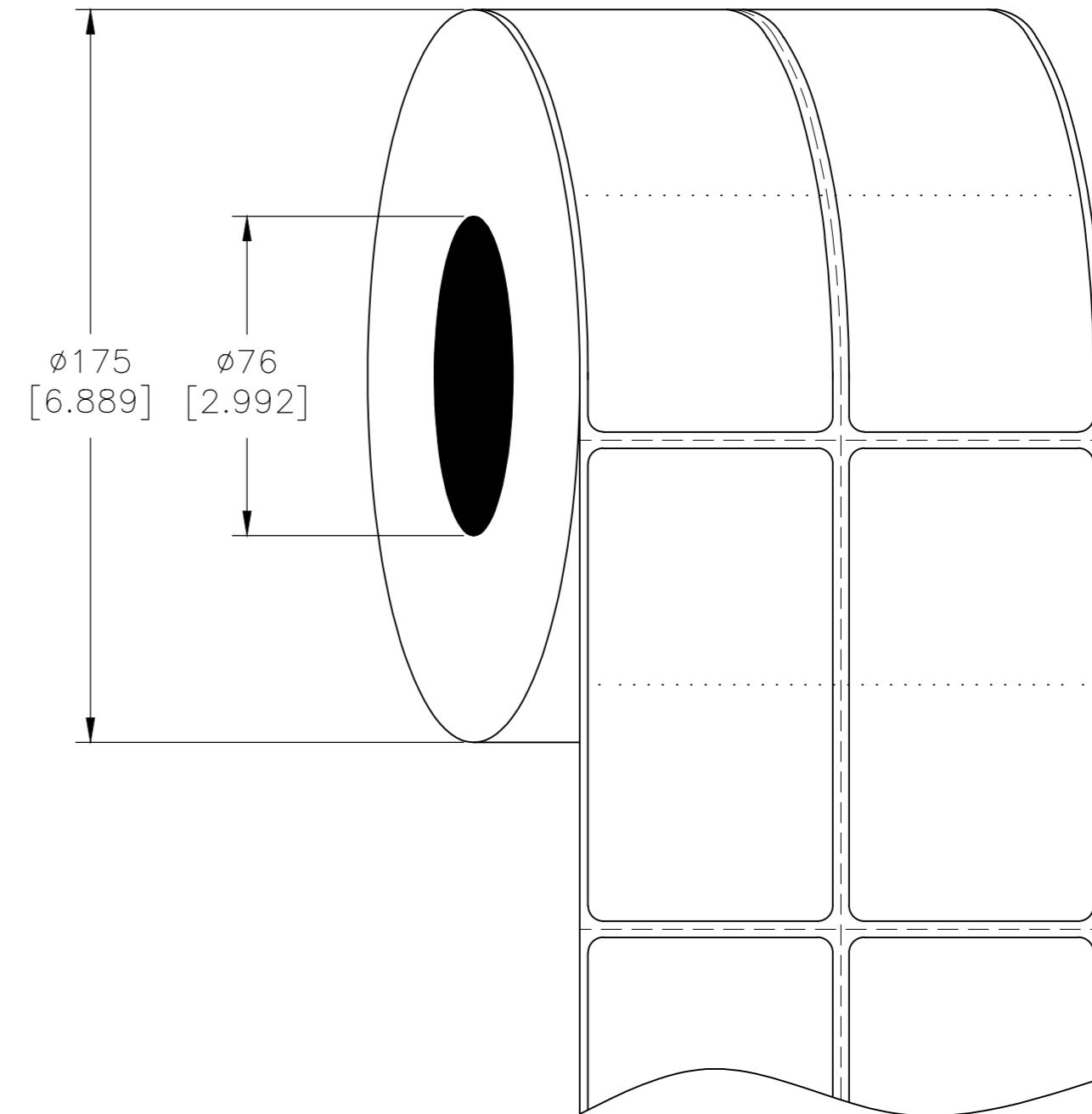
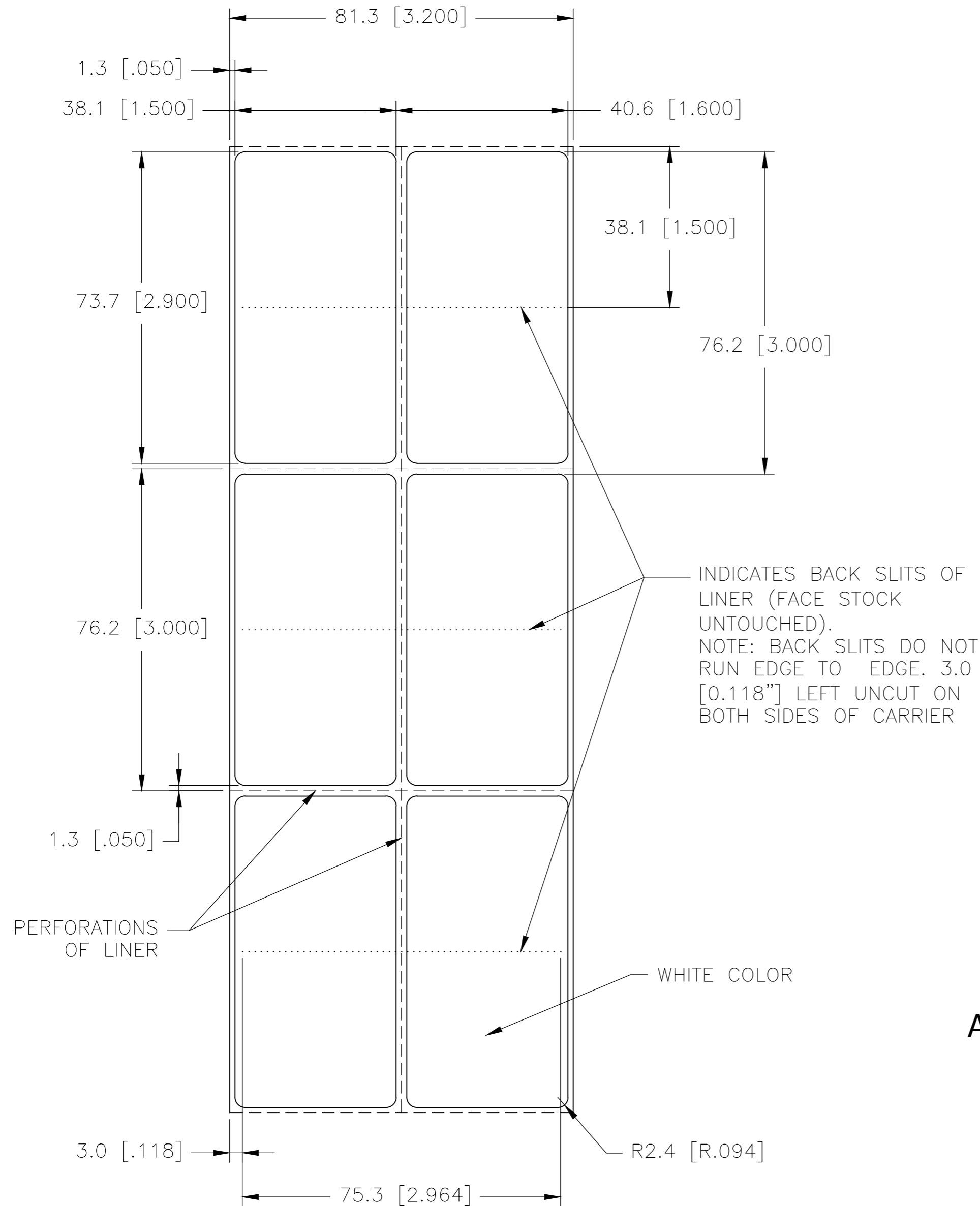


REVISIONS				
P	LTR	DESCRIPTION	DATE	APVD
A1		NEW DRAWING FORMAT	13MAY2020	GK DB

### LABEL AND LINER DESIGN

### PRESENTATION



**OUTSIDE WOUND  
LABEL ACROSS: 2  
PER ROLL QTY: 2,500**

All dimensions in mm [Inch]

**TE PN: D46169-000**

<b>TOLERANCES mm [INCH]</b> LABEL HEIGHT: $\pm 0.3$ [.012] LABEL WIDTH: $\pm 0.3$ [.012] WEB WIDTH: $\pm 0.8$ [.031] VERTICAL REPEAT: $\pm 0.8$ [.031]* HORIZONTAL REPEAT: $\pm 0.8$ [.031]* PRINT POSITIONING: $\pm 0.8$ [.031]* LEFT MARGIN: $\pm 0.4$ [.016] QUANTITY: -0 % +2 % *NON ACCUMULATING		THIS DRAWING IS A CONTROLLED DOCUMENT. DIMENSIONS: mm [INCHES] TOLERANCES UNLESS OTHERWISE SPECIFIED: 0 PLC $\pm$ 1 PLC $\pm$ 2 PLC $\pm$ 3 PLC $\pm$ 4 PLC $\pm$ ANGLES $\pm$		MATERIAL: SEE TABLE FINISH: GLOSS		MATERIAL: POLYVINYL FLUORIDE (TEDLAR®) ADHESIVE TYPE: PERMANENT ACRYLIC LINEAR: BROWN KRAFT		DWN: GOPALAKRISHNA HV 13MAY2020 CHK: D.BURGAT 13MAY2020 APVD: D.BURGAT 13MAY2020 PRODUCT SPEC: TTDS-005 APPLICATION SPEC:		NAME: TEDLAR® LABEL - WHITE - 2 ACCROSS 38.1mm x 73.7mm (1.5inch x 2.9inch)		SIZE: A2 CAGE CODE: FB1U7 DRAWING NO: C=TTVF1529WE2.5 RESTRICTED TO:	
WEIGHT: 0.384g CUSTOMER DRAWING				SCALE: NTS SHEET: 1 of 1 REV: A1									