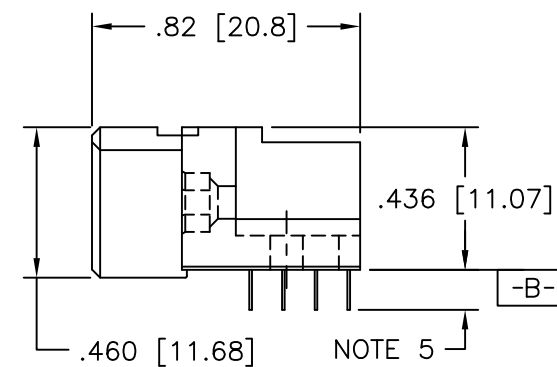
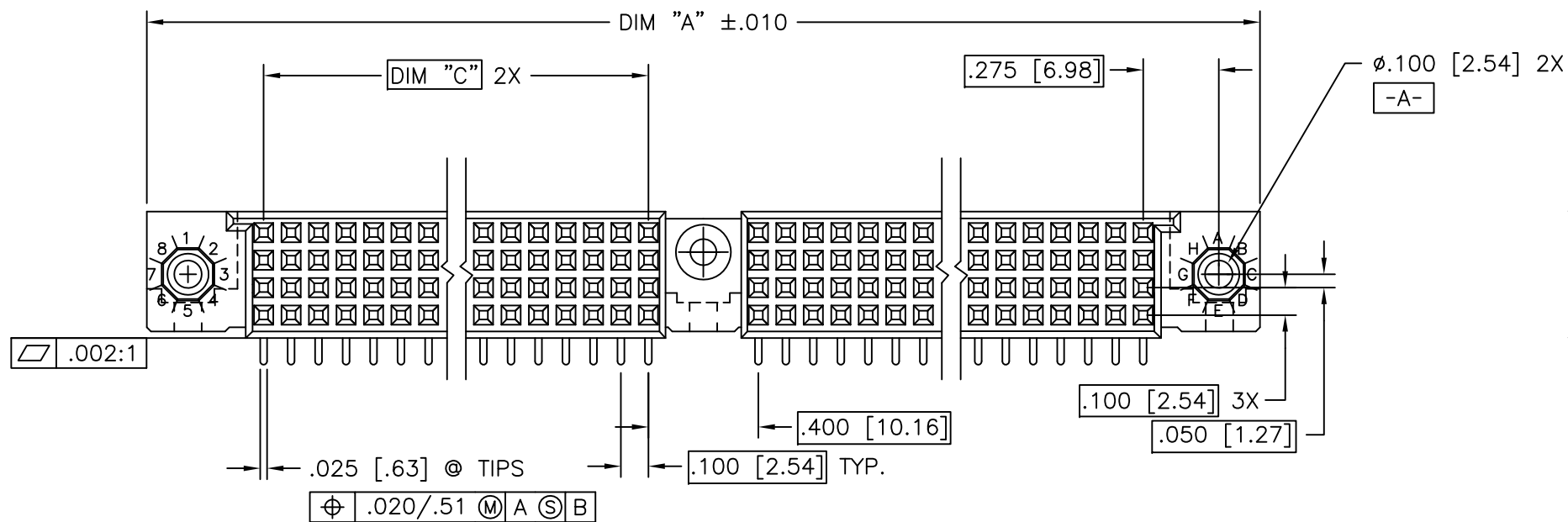
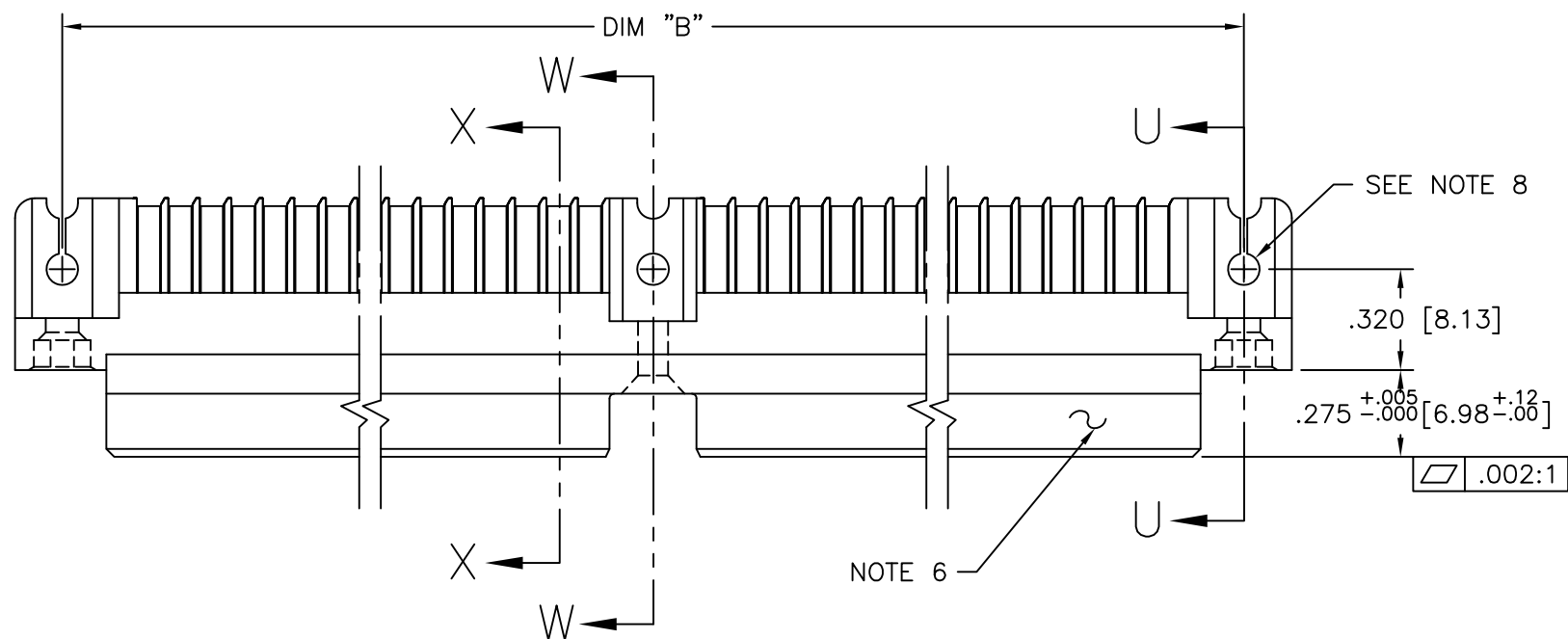


PRODUCT NUMBER

SEE NOTE 1

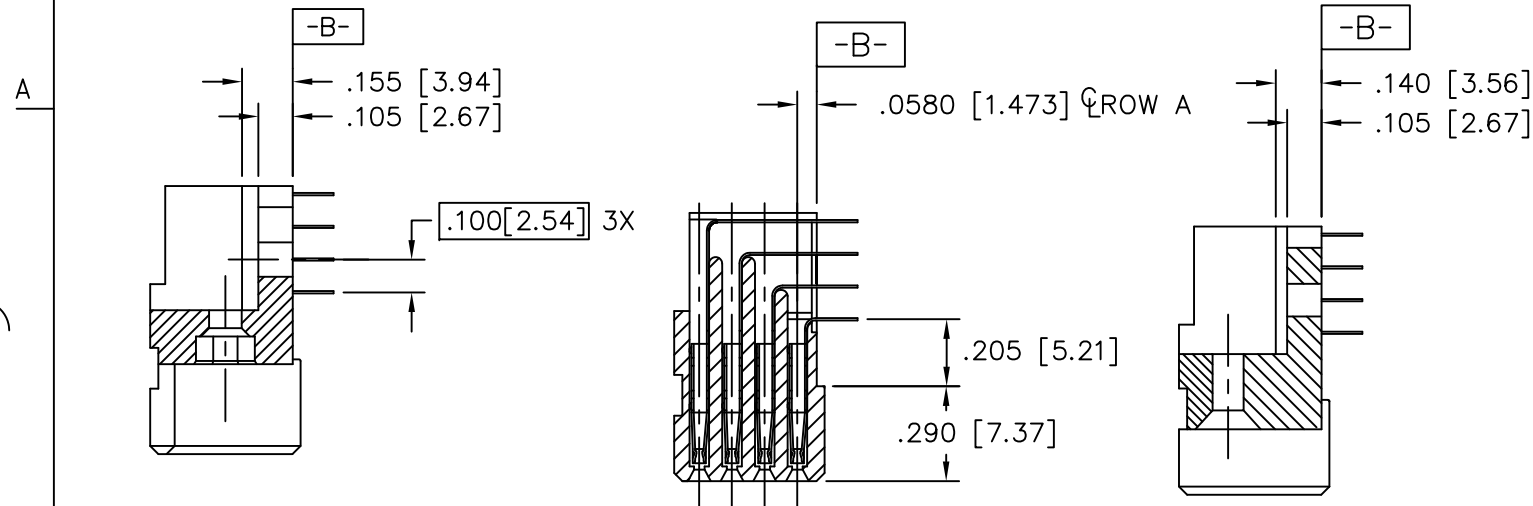


mat'l. code NOTE 3		surface ISO 1302 ✓		tolerance ISO 406 ISO 1101		projection INCH/MM		product family HPC	
ltr	ecn no	dr	date	tolerances unless otherwise specified		Amphenol FCi		title	
J	ELX-I-26919	MJA	05/05/17	angles	linear			4 ROW R/A RECEPTACLE SOLDER TAIL, 1 GUIDE PIN	
-	-	-	-			scale 1:1		dwg no	
D	V61331	MSC	9/5/96	0°±2'				sheet 1 of 3 size	
E	V90011	HTB	1/6/99	dr	G.PETERS	10/13/93		50748 A3	
F	V00259	JWS	1/21/00	enr	S.CLARK	10/13/93			
G	V01355	CGD	6/28/00	chr	M JACOB	05/05/17			
H	M06-0255	MHT	7/06/06	appd	BIJU K PAUL	05/05/17		type Product Customer Drawing	
sheet	revision	J	J	H					
index	sheet	1	2	3					

PRODUCT NUMBER	DIM.	LENGTH FORMULAS
SEE NOTE 1	DIM A	.100/2.54 X NO. OF COLUMNS + 1.05/26.7
	DIM B	.100/2.54 X NO. OF COLUMNS + .750/19.05
	DIM C	.100/2.54 X NO. OF COLUMNS DIVIDED BY 2 - .100/2.54

NOTES:

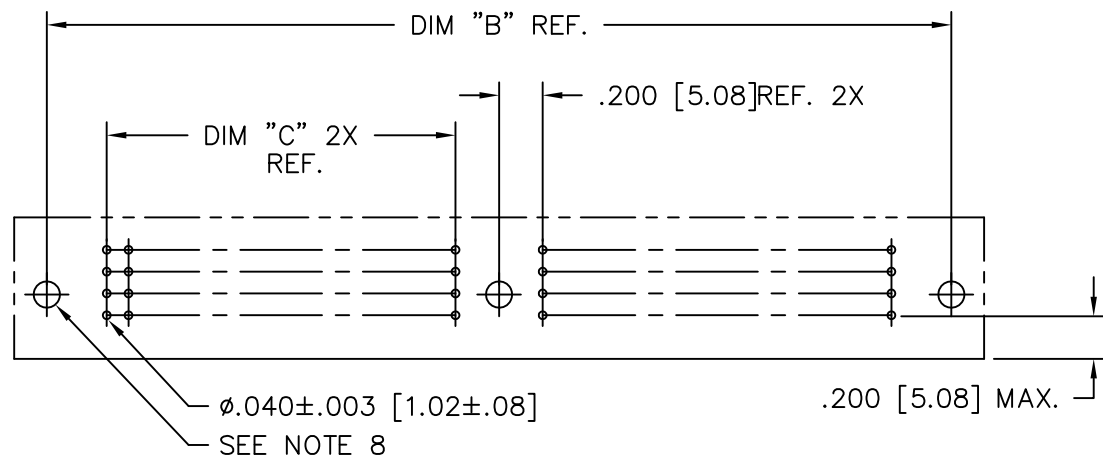
- PRODUCT NUMBERING CODE:
50748 - X YYY Z S
 - SPECIAL FEATURES (NOTE 8)
 - TAIL LENGTH (NOTE 5)
 - NO. OF POSITIONS (NOTE 2)
 - PLATING (NOTE 4)
 - BASE NUMBER
- THIS PRODUCT IS CONFIGURED IN SIZES OF 20 thru 122 COLUMNS IN INCREMENTS OF TWO.
i.e.: 20,22,24,26.....118,120,122.
- HOUSING MATERIAL: GLASS AND MINERAL FILLED HIGH TEMP. THERMOPLASTIC. FLAME RETARDANT PER UL94V-0. COLOR: BLACK.
CONTACT MATERIAL: BeCu
- PLATING CONTACT AREA OPTIONS:
1 = 30u"/.76u GOLD
3 = 50u"/1.27u GOLD
5 = 30u"/.76u GXT
ALL SOLDER TAILS TIN/LEAD
- TAIL LENGTH OPTIONS:
E = .125±.010 / 3.18±.25
F = .145±.010 / 3.68±.25
H = .180±.010 / 4.57±.25
- COMPANY NAME, PART NUMBER AND LOT CODE TO APPEAR ON THIS SURFACE PER BUS-12-108.
- FOR DOCUMENTATION MENU, SEE SPEC. BUS-01-057.
- SPECIAL FEATURES: (SEE SHEET 3)
 - = IF CODE IS OMITTED FROM PRODUCT NO.; CONNECTOR IS PROVIDED AS SHOWN, NO SPECIAL FEATURES ARE SELECTED. FOR P.C.B. ATTACHMENT IN A .120 [3.05] MOUNTING HOLE.
 "A" = IF SPECIFIED, PRE-INSTALLED CLAW FOR P.C.B. ATTACHMENT IN A Ø.100 MOUNTING HOLE. (AVAILABLE IN "E" TAIL LENGTH ONLY).
 "B" = IF SPECIFIED, PRE-INSTALLED CLAW FOR P.C.B. ATTACHMENT IN A Ø.120 MOUNTING HOLE.
 "C" = IF SPECIFIED, MOLDED GUIDE PINS w/CLAW FOR P.C.B. ATTACHMENT IN A Ø.120 MOUNTING HOLE.
- CLAW DIMENSION DETERMINED BY P.C.B. HOLE DIAMETER.



SECTION U-U
NO SPECIAL FEATURE

SECTION X-X

SECTION W-W
NO SPECIAL FEATURE



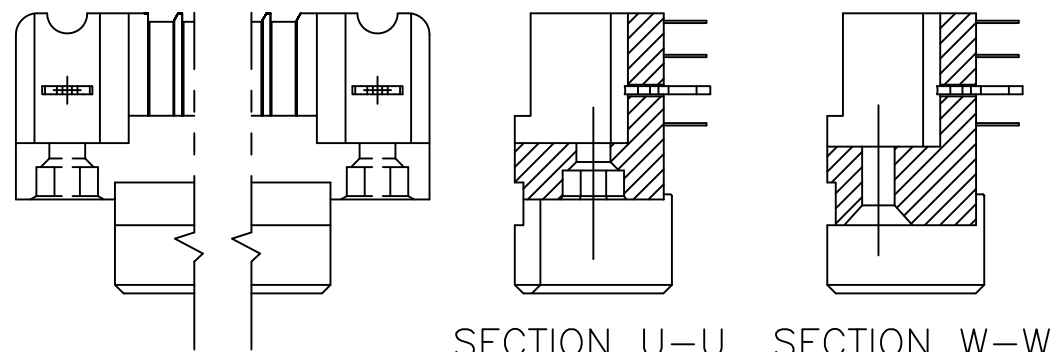
RECOMMENDED PCB LAYOUT
(ALL HOLES LOCATED ON .100 [2.54] GRID UNLESS OTHERWISE SPECIFIED)

mat'l. code		surface ISO 1302 ✓		tolerance ISO 406 ISO 1101		projection INCH/MM		product family HPC		
ltr	ecn no	dr	date	tolerances unless otherwise specified		title		sheet 2 of 3 size		
J				angles	linear	4 ROW R/A RECEPTACLE SOLDER TAIL, 1 GUIDE PIN		A3		
				0°±2'	.xx±.01/.3 .xxx±.005/.13 .xxxx±.0020/.051	scale 1:1		dwg no 50748		
				dr	G.PETERS	10/13/93	Amphenol FCi		type Product Customer Drawing	
				enr	S.CLARK	10/13/93				
				chr	M JACOB	05/05/17				
				appd	BIJU K PAUL	05/05/17				
sheet index	revision sheet									

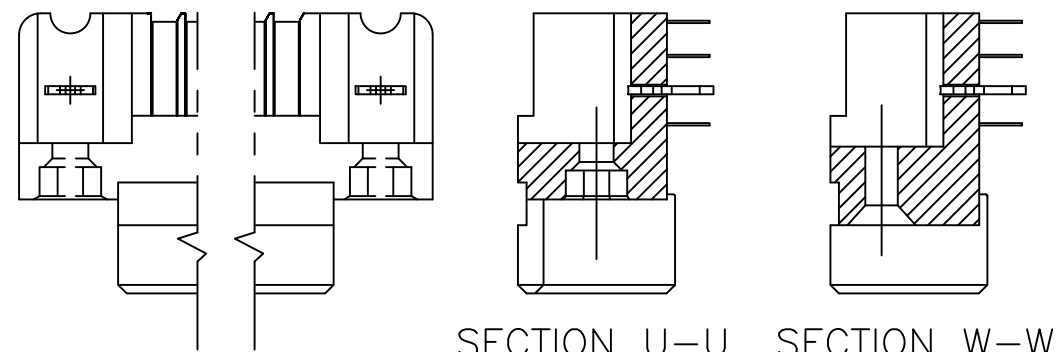
PRODUCT NUMBER

SEE NOTE 1

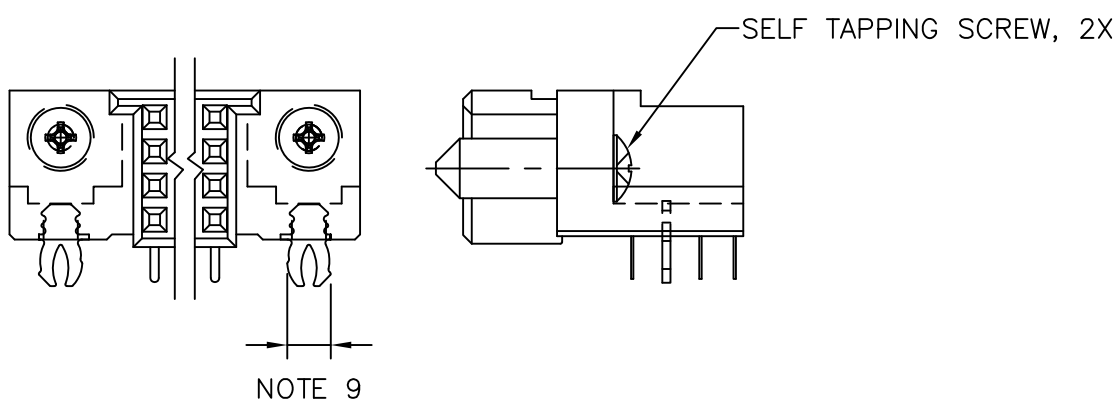
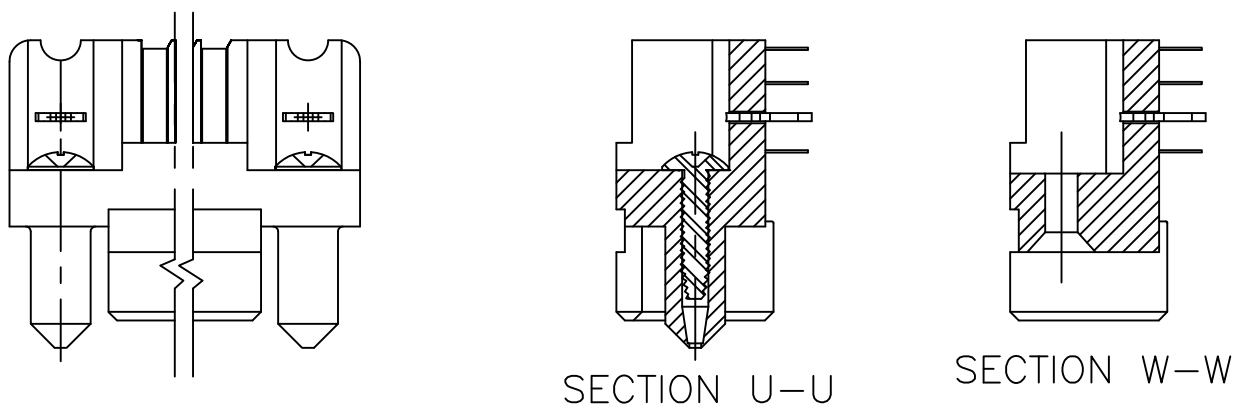
SPECIAL FEATURE OPTION A



SPECIAL FEATURE OPTION B



SPECIAL FEATURE OPTION C



mat'l. code		surface ISO 1302 ✓	tolerance ISO 406 ISO 1101	projection 	product family HPC
ltr	ecn no	dr	date	tolerances unless otherwise specified	title 4 ROW R/A RECEPTACLE SOLDER TAIL, 1 GUIDE PIN
H				angles linear 0°±2°	
				.XX±.01/.3	INCH/MM scale 1:1
				.XXX±.005/.13	
				.XXXX±.0020/.051	
		dr	G.PETERS	10/13/93	 dwg no 50748 sheet 3 of 3 size A3 type Product Customer Drawing
		enr	S.CLARK	10/13/93	
		chr	S.CLARK	10/13/93	
		appd	S.CLARK	10/13/93	
sheet index	revision sheet				