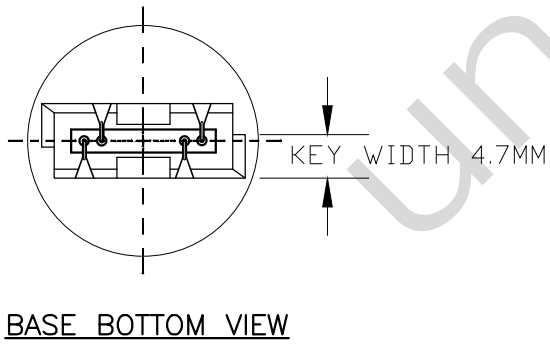
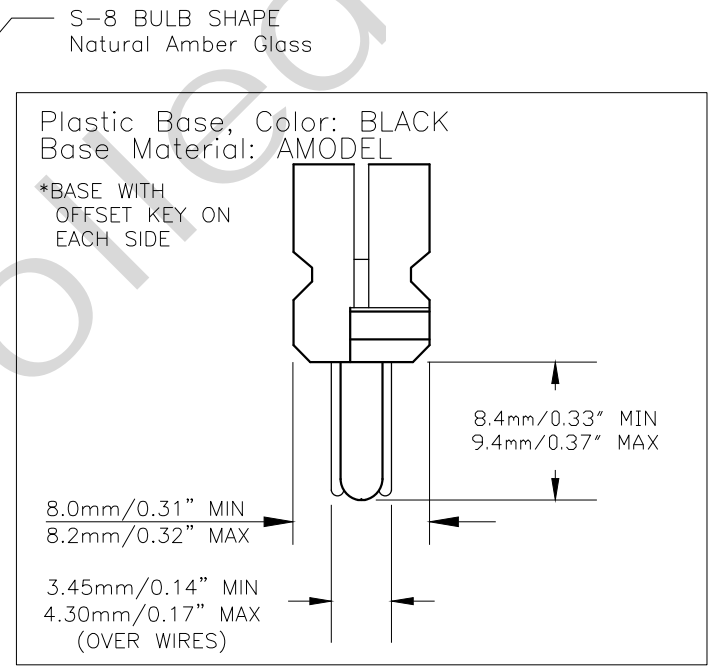
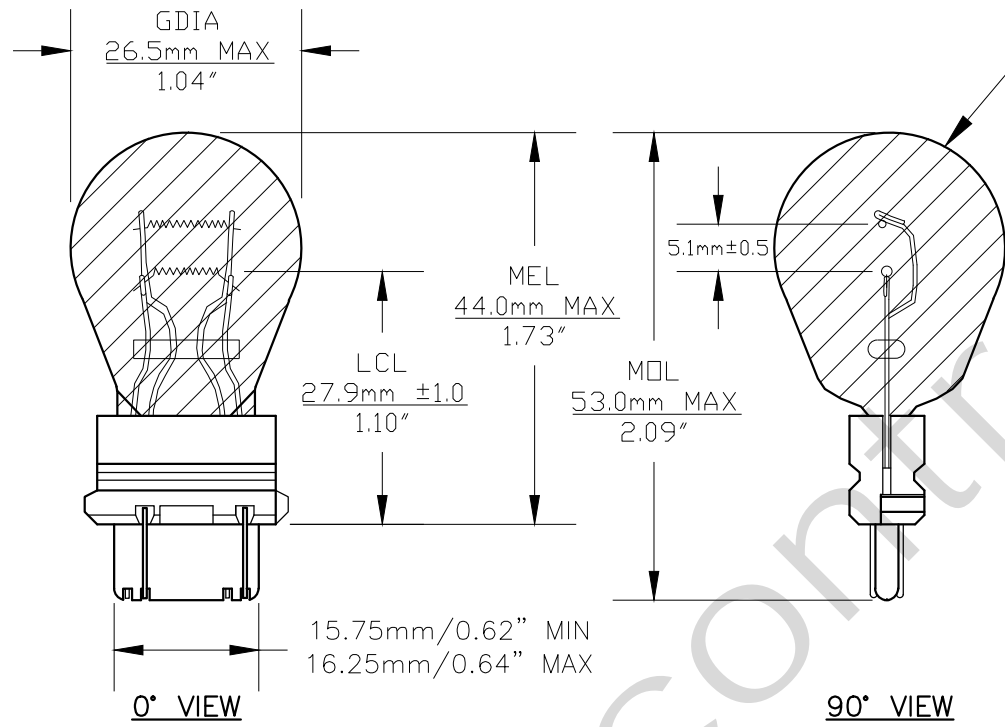




| PART NO. | BASE TYPE                    | DESIGN VOLTS   | DESIGN AMPS         | MSCD              | FILAMENT TYPE | AVERAGE LIFE HOURS | REVISIONS |                                    |            |          |
|----------|------------------------------|----------------|---------------------|-------------------|---------------|--------------------|-----------|------------------------------------|------------|----------|
|          |                              |                |                     |                   |               |                    | REV #     | DESCRIPTION                        | DATE       | APPROVED |
| 3757NALL | D.F. Plastic Wedge WX2.5X16q | 12.8V<br>14.0V | 2.1 ±5%<br>0.59 ±8% | 24±30%<br>2.2±30% | C-6<br>C-6    | 2000<br>10000      | 1         | ISSUED                             | 03/23/2009 | D.C.     |
|          |                              |                |                     |                   |               |                    | 2         | ADDED FILAMENT DISTANCE DIMENSIONS | 10/04/2018 | R.M.     |
|          |                              |                |                     |                   |               |                    | 3         | ADDED BASE MATERIAL                | 03/05/2020 | R.M.     |



Note: Made according to SAE specifications



|   |                    |                                  |                      |                        |          |
|---|--------------------|----------------------------------|----------------------|------------------------|----------|
| UNLESS OTHERWISE SPECIFIED:<br>DIMENSIONS ARE IN INCHES<br>TOLERANCES |                    | CEC INDUSTRIES LTD               |                      |                        |          |
|   |                    | 599 BOND STREET                  |                      | LINCOLNSHIRE, IL 60069 |          |
| DRAWN<br>D. C.  | DATE<br>03/23/2009 | TITLE<br>LIGHT BULB NO. 3757NALL |                      |                        |          |
| CHECKED   |                    | SIZE<br>A                        | FSCM NO.             | DWG NO.<br>3757NALL    | REV<br>3 |
| DESIGN  |                    | SCALE                            | PLOT SCALE           | SHEET 1 OF 1           |          |
| MATERIAL  |                    | FILE<br>3757NALL.pdf             | DRAWING NOT TO SCALE |                        |          |