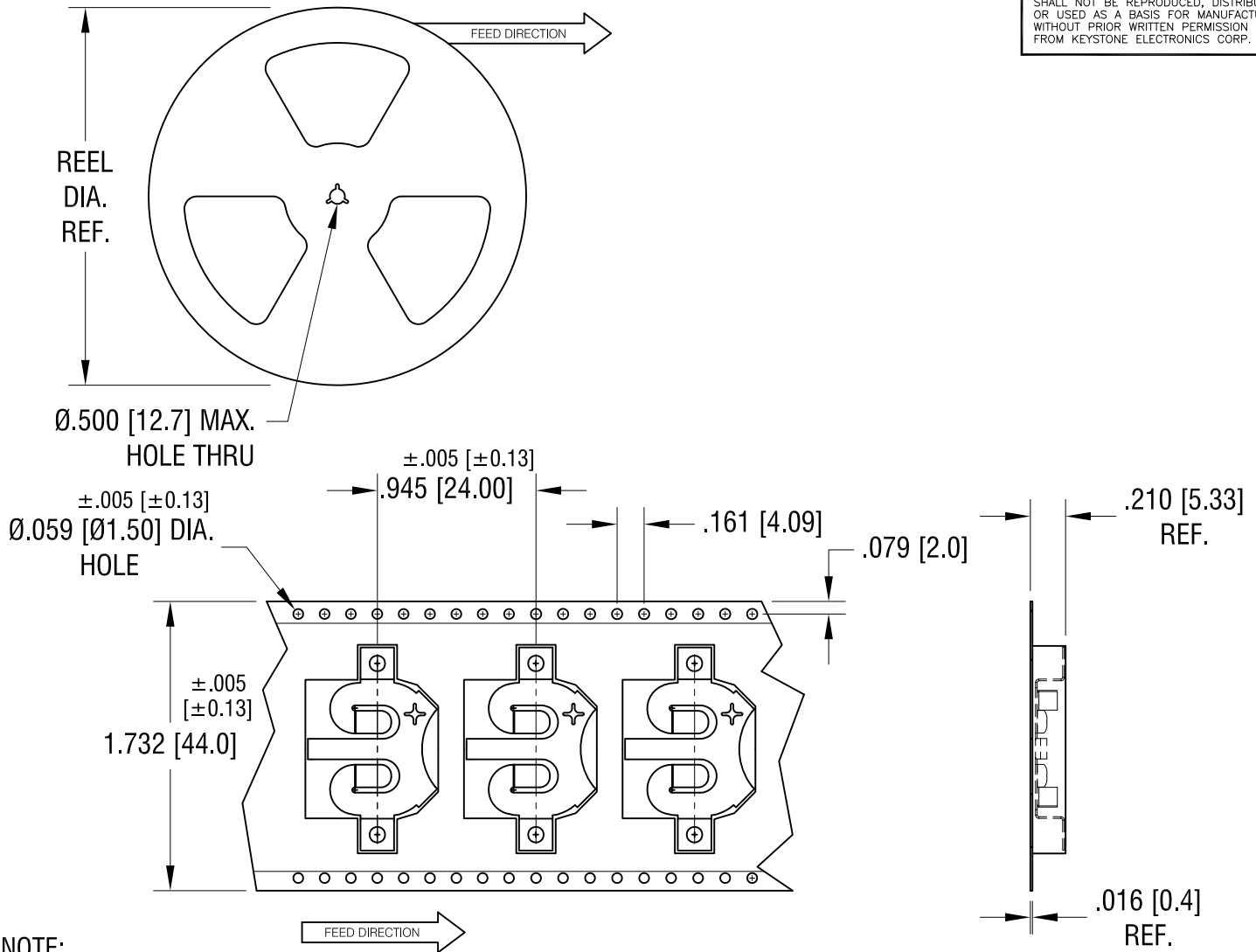


THIS DOCUMENT IS THE PROPERTY OF KEYSTONE ELECTRONICS CORP. AND SHALL NOT BE REPRODUCED, DISTRIBUTED OR USED AS A BASIS FOR MANUFACTURE WITHOUT PRIOR WRITTEN PERMISSION FROM KEYSTONE ELECTRONICS CORP.



NOTE:

1. NO DISLODMENT OF THE CELL OR DAMAGE TO RETAINER WITH THE FOLLOWING TESTS:
 - a) INTEGRITY VIBRATION TEST PER MIL-STD-810G METHOD 516.6
 - b) SHOCK TEST PER MIL-STD-810G METHOD 516.6
 - c) BENCH HANDLING SHOCK TEST PER MIL-STD 810G METHOD 516.6
 - d) TRANSIT DROP TEST PER MIL-STD 810G METHOD 516.6
2. TAPE AND REEL SPECIFICATIONS:
 - a) TAPE:
MAT'L - ALL CONDUCTIVE POLYSTYRENE CARRIER
ANSI/EIA-481 STANDARD
 - b) REEL:
13.0 [330.2] DIA. 500 PIECES OF
PART NO. 2898 PER REEL.

3.30.20	ECN 20-032 ADD NOTE 1.	A
DATE	DESCRIPTION	REV.

KEYSTONE ELECTRONICS CORP.			
www.keyelco.com • NEW HYDE PARK, NY 11040 • Tel (516) 328-7500			
PART NAME		SM COIN CELL CLIP ON TAPE	
MATERIAL		AS NOTED	
FINISH	AS NOTED	DRN BY	NT
		DATE	9.19.18
		APP'D	RH
		SCALE	X
TOLERANCES	INCH [MM]	CODE	DWG NO.
DECIMAL	± .015 [± 0.38]	C	2898TR
ANGULAR	± 1°		
UNLESS OTHERWISE SPECIFIED			