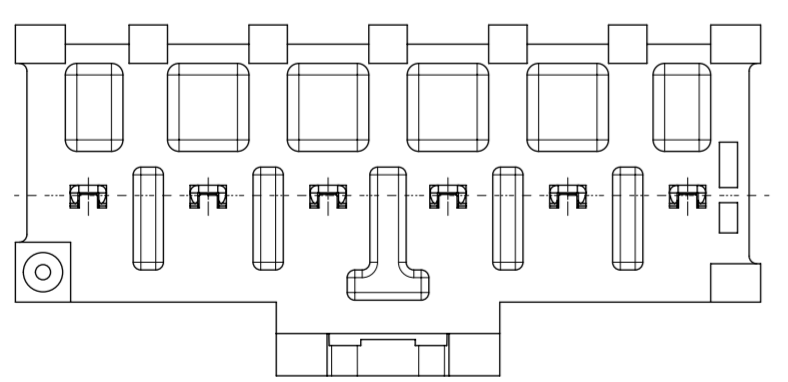
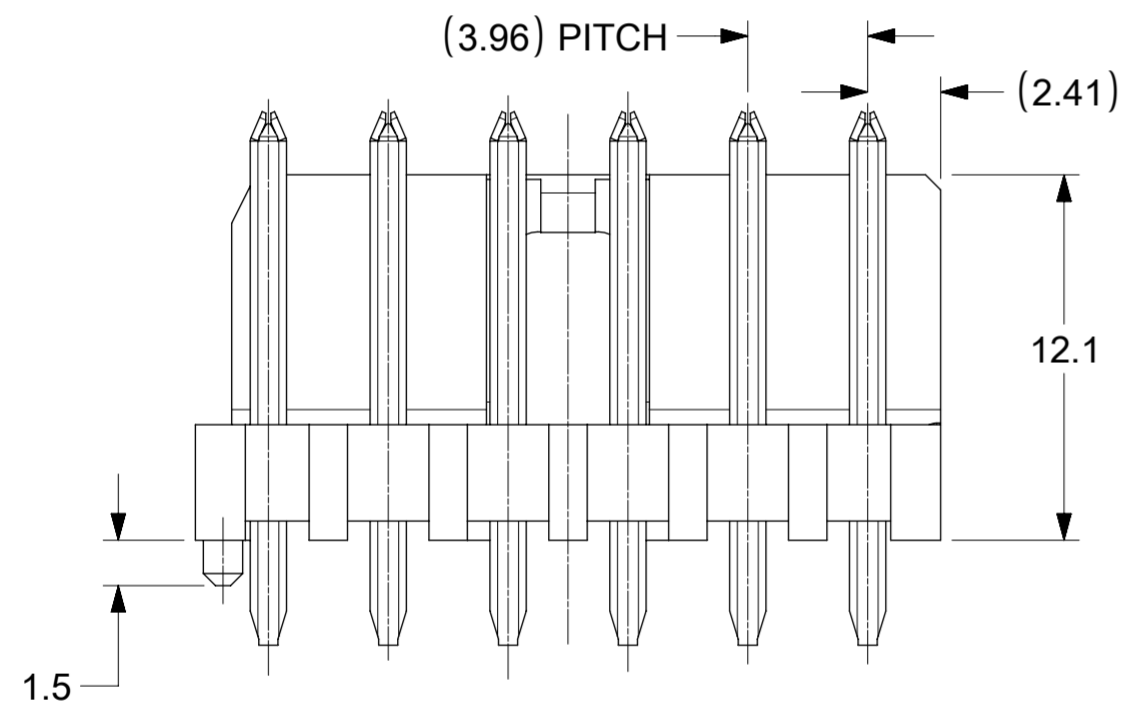
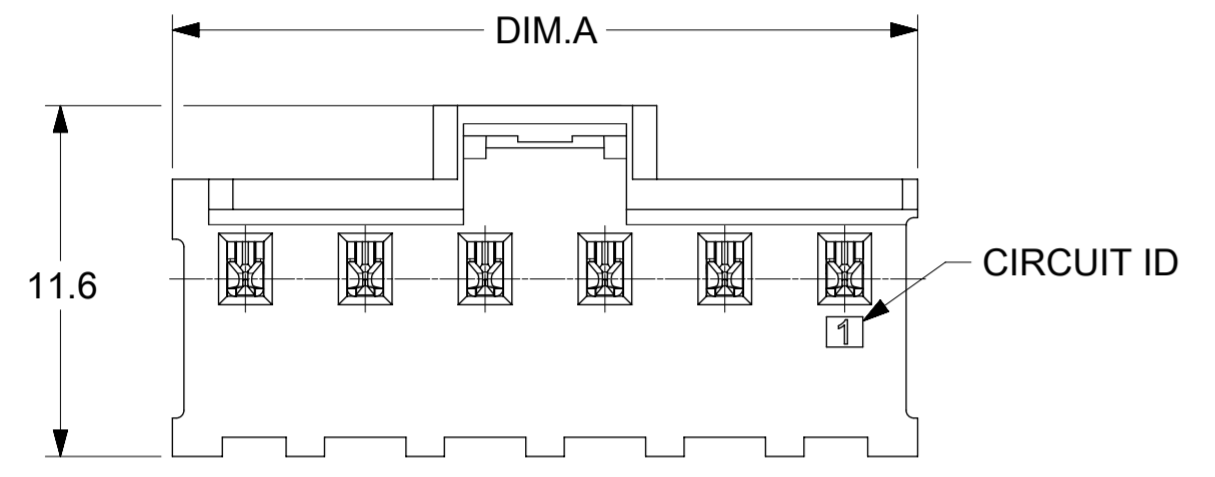
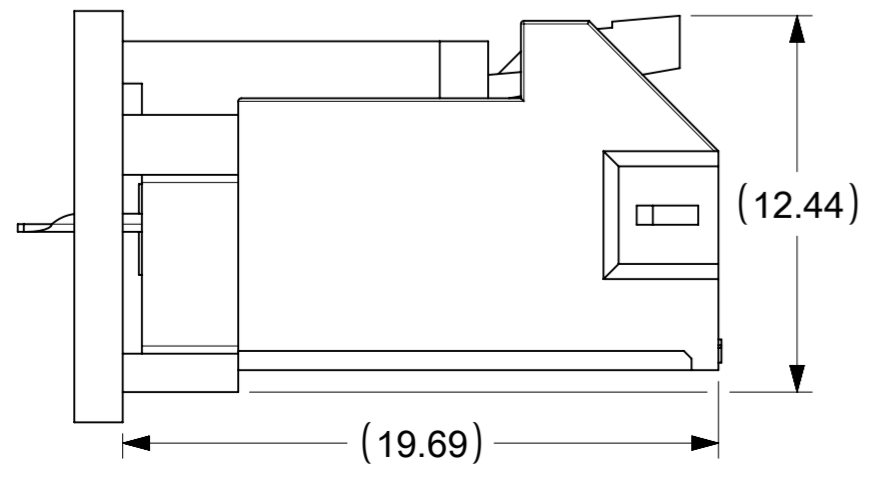


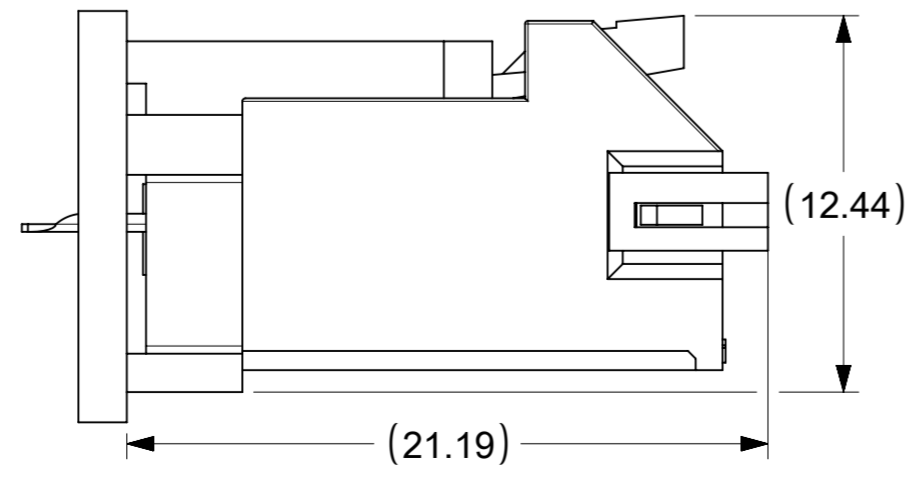
HOUSING TYPE	CIRCUIT SIZE	HEADER ASSY P/N	DIM. A	Void CKT
UNSHROUDED HEADER ASSY WITH PEG	02	2074781002	8.79	
	03	2074781003	12.75	
	04	2074781004	16.71	
	05	2074781005	20.68	
	06	2074781006	24.64	
UNSHROUDED HEADER ASSY WITHOUT PEG	02	2074780002	8.79	
	03	2074780003	12.75	
	04	2074780004	16.71	
	05	2074780005	20.68	
	06	2074780006	24.64	
		04	2074780104	16.71



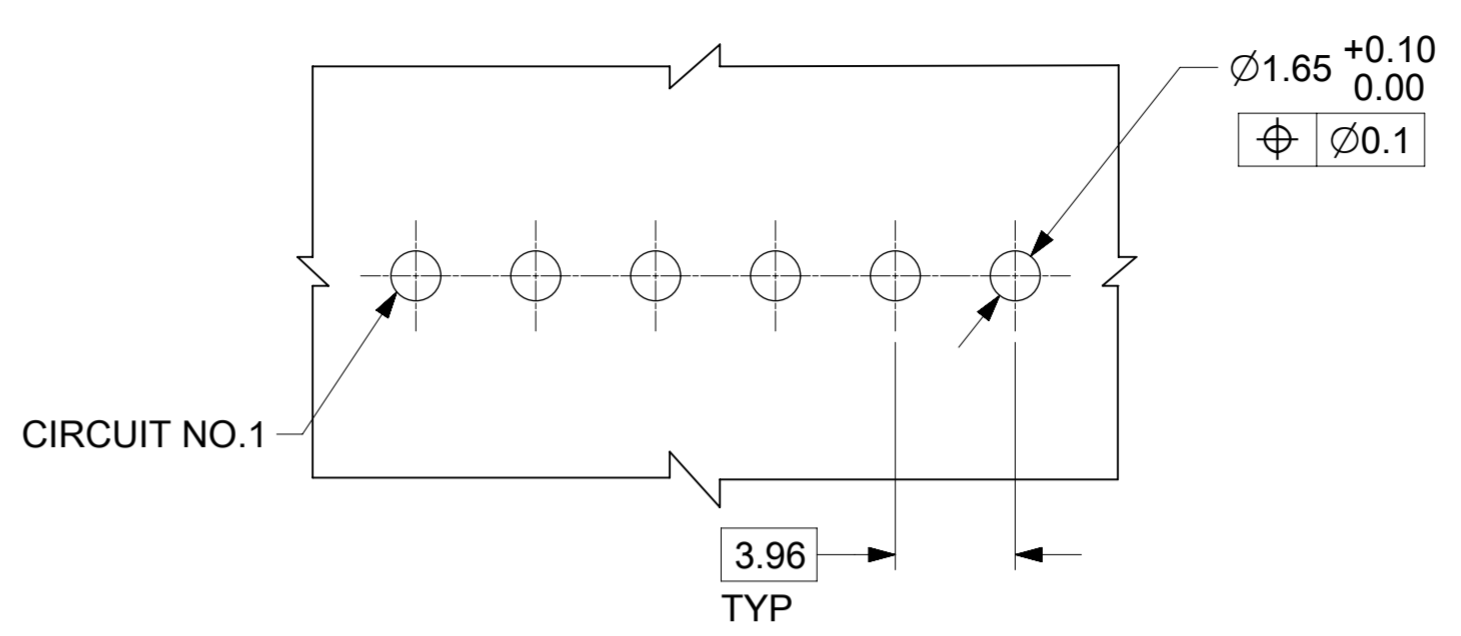
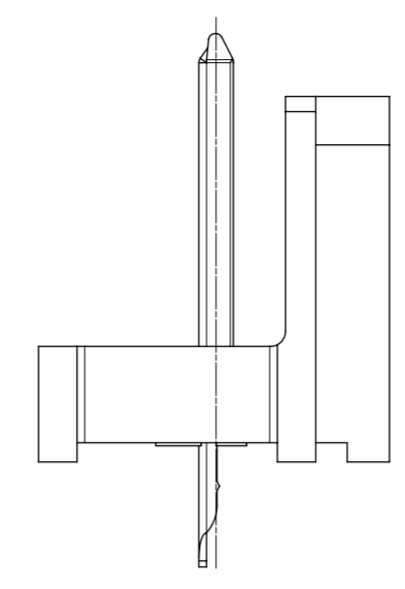
WITHOUT TPA



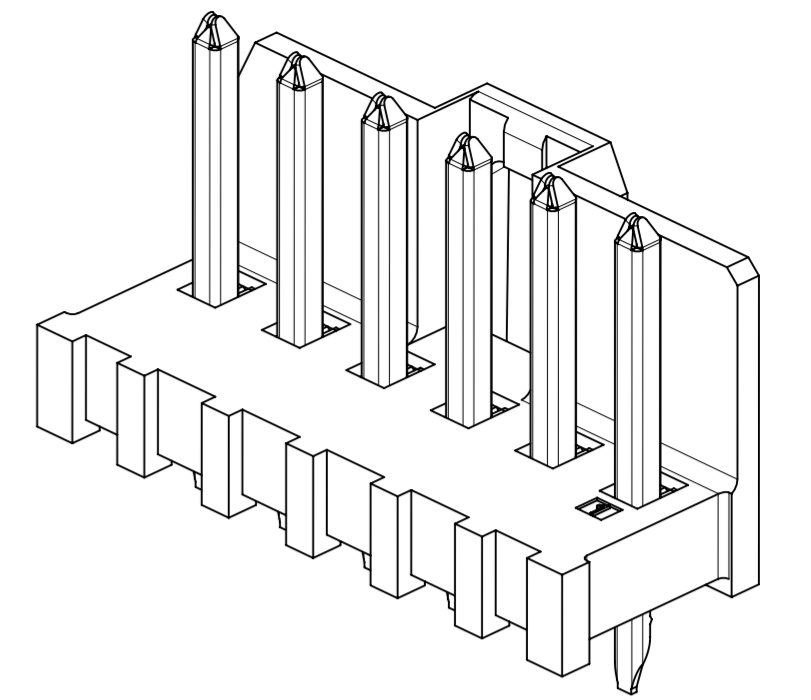
WITH TPA



UNSHROUDED HEADER ASSEMBLY WITHOUT PEG
APPLICABLE TO P/N 207478000X

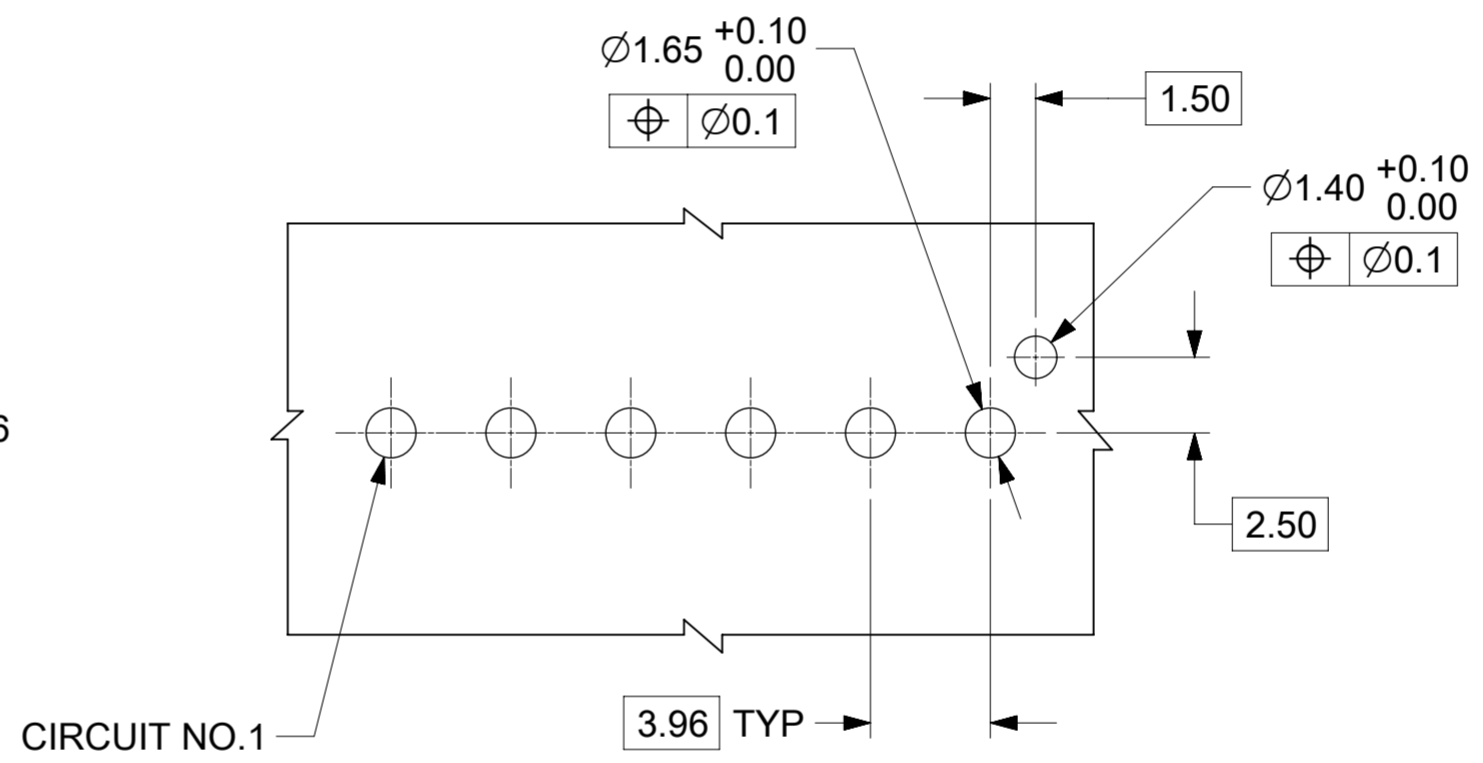
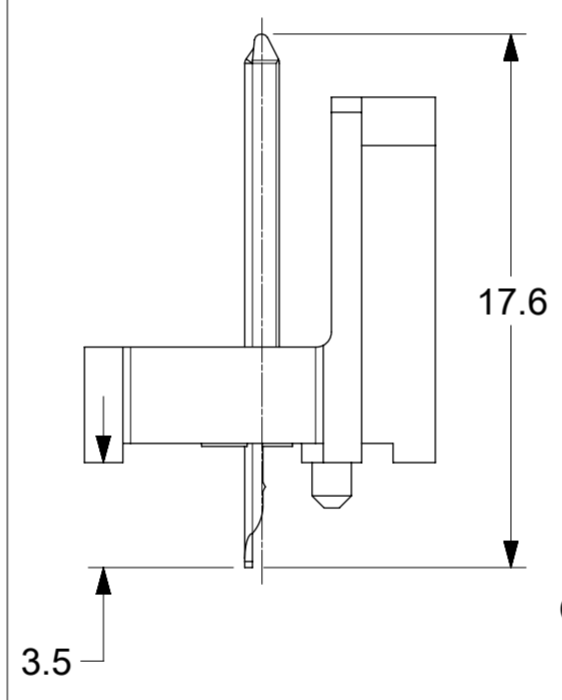


PCB LAYOUT VIEWED FROM THE SOLDERING SIDE
(RECOMMENDED PCB THICKNESS : 1.60mm)

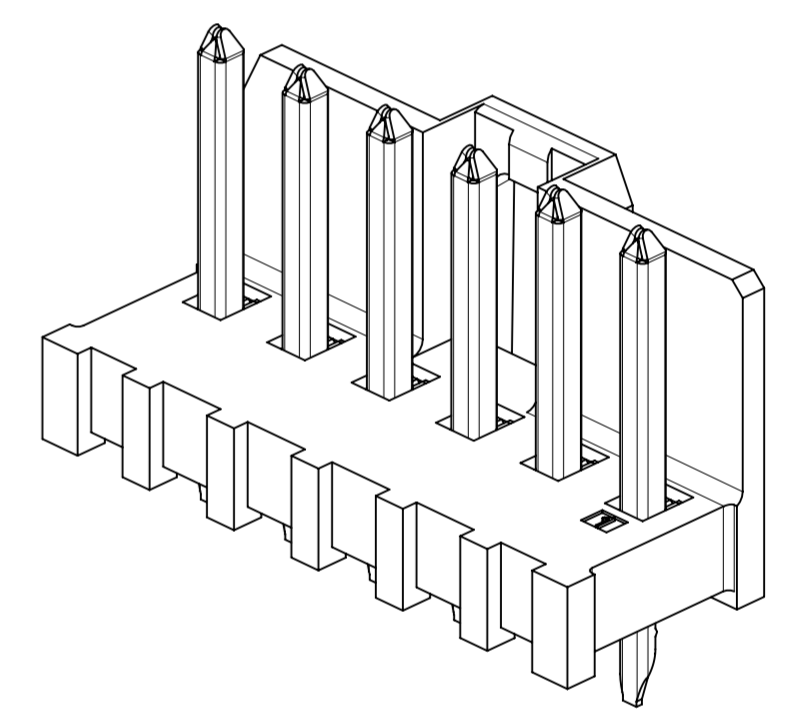


ISOMETRIC VIEW 6 CIRCUIT

UNSHROUDED HEADER ASSEMBLY WITH PEG
APPLICABLE TO P/N 207478100X



PCB LAYOUT VIEWED FROM THE SOLDERING SIDE
(RECOMMENDED PCB THICKNESS : 1.60mm)



ISOMETRIC VIEW 6 CIRCUIT

NOTES:

- MATERIAL:
 - HOUSING: LIQUID CRYSTAL POLYMER. RATED UL94V-0, COLOR-BLACK
 - TERMINAL: BRASS ALLOY
PLATING: TIN OVER COPPER OVERALL
- PRODUCT SPECIFICATION: 2074580000-PS
- PACKAGING SPECIFICATION: 2074790000-PK
- COSMETIC SPECIFICATION: PS-45499-002 CLASS B

THIS DRAWING CONTAINS INFORMATION THAT IS PROPRIETARY TO MOLEX ELECTRONIC TECHNOLOGIES, LLC AND SHOULD NOT BE USED WITHOUT WRITTEN PERMISSION

DIMENSION UNITS	SCALE	CURRENT REV	DESC:
mm	4:1		
GENERAL TOLERANCES (UNLESS SPECIFIED)			
ANGULAR TOL	± 0.5°		
4 PLACES	±		
3 PLACES	±		
2 PLACES	± 0.2		
1 PLACE	± 0.25		
0 PLACES	±		
DRAFT WHERE APPLICABLE MUST REMAIN WITHIN DIMENSIONS			

EC NO:	DATE
706747	2022/03/24
DRWN: SHRUTJ	2022/05/13
CHK'D: SHRUTJ	2022/05/13
APPR: ISHWARG	2022/05/13
INITIAL REVISION:	
DRWN: GGUNAGI	2018/09/19
APPR: NCSR	2019/02/05

molex			
KK PLUS 396 UNSHROUDED HEADER ASSY WITH AND WITHOUT PEG			
PRODUCT CUSTOMER DRAWING			
DOCUMENT NUMBER	DOC TYPE	DOC PART	REVISION
2074781000-SD	PSD	000	C1
MATERIAL NUMBER	CUSTOMER	SHEET NUMBER	
SEE TABLE	GENERAL MARKET	1 OF 1	

DOCUMENT STATUS	P1	RELEASE DATE	2022/05/13	18:11:35
13	12	11	10	9