

Electrical diagram printed in white

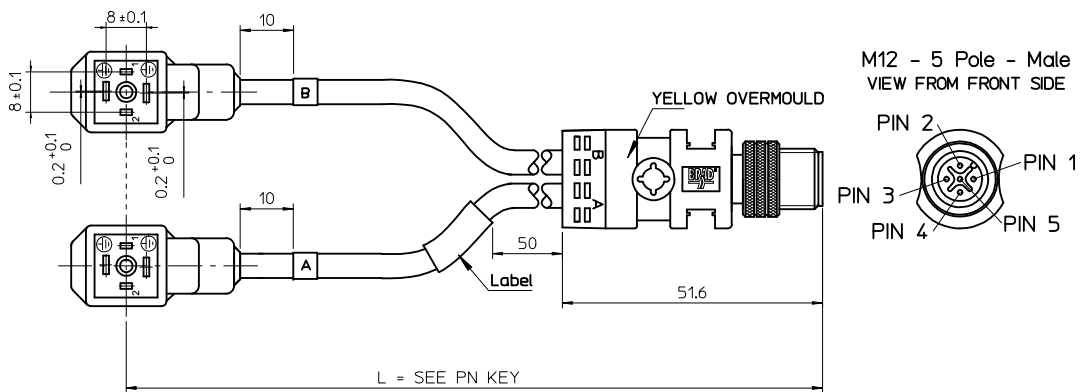
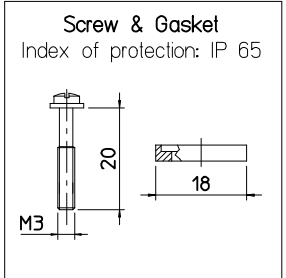


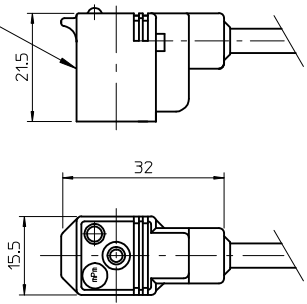
Table of length tolerances

Over	Up to and including	Tolerance (+)
0	305	+19
305	915	+45
915	1830	+56
1830	3660	+89
3660	7320	+165
7320	14640	+317
14640	30500	+610
30500	>	+2% of length

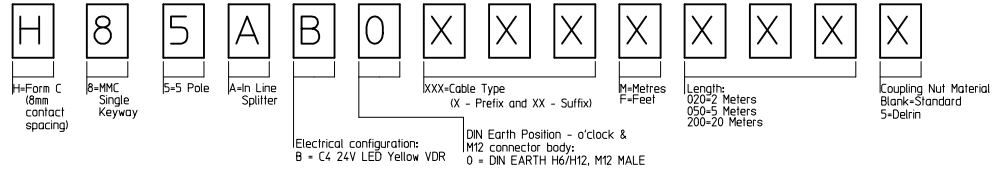


PN's List

Engineering number	SAP Part Number	Cable Length [mm]	Cable type
H85AB0P82M006	1210360626	600	IRR PUR Orange 0.34mm²
H85AB0P12M010	1210360927	1000	PUR Black 0.5mm²



PART No MATRIX - PN KEY



Notes:
1. Dimensions without tolerance are referential.

ORIGINAL RELEASE EC NO: IPG2014-1345 DRWN: JMARSZALEK 2014/01/29 CHKD: MSZWAJKOWSKI 2014/01/29 APPR: MIWASIECZKO 2014/01/30	DESCRIPTION REV	QUALITY SYMBOLS	GENERAL TOLERANCES (UNLESS SPECIFIED)	DIMENSION STYLE	SCALE	DESIGN UNITS	THIRD ANGLE PROJECTION
			mm INCH 4 PLACES ± --- ± --- 3 PLACES ± --- ± --- 2 PLACES ± --- ± --- 1 PLACE ± --- ± --- 0 PLACE ± --- ± ---	MM ONLY DRAWN BY: JMARSZALEK DATE: 2014/01/29 CHECKED BY: MSZWAJKOWSKI DATE: 2014/01/29 APPROVED BY: MIWASIECZKO DATE: 2014/01/30	-	METRIC	
		ANGULAR ±---°	MATERIAL NO.	TITLE	H85AB0XXXXXXX ILS - 2XDIN-C H6/H12 C4H M12 5P AC MA 		
		DRAFT WHERE APPLICABLE MUST REMAIN WITHIN DIMENSIONS	SIZE	DOCUMENT NO.	SD-121036-015 SHEET NO. 1 OF 1		
			A3	THIS DRAWING CONTAINS INFORMATION THAT IS PROPRIETARY TO MOLEX INCORPORATED AND SHOULD NOT BE USED WITHOUT WRITTEN PERMISSION			