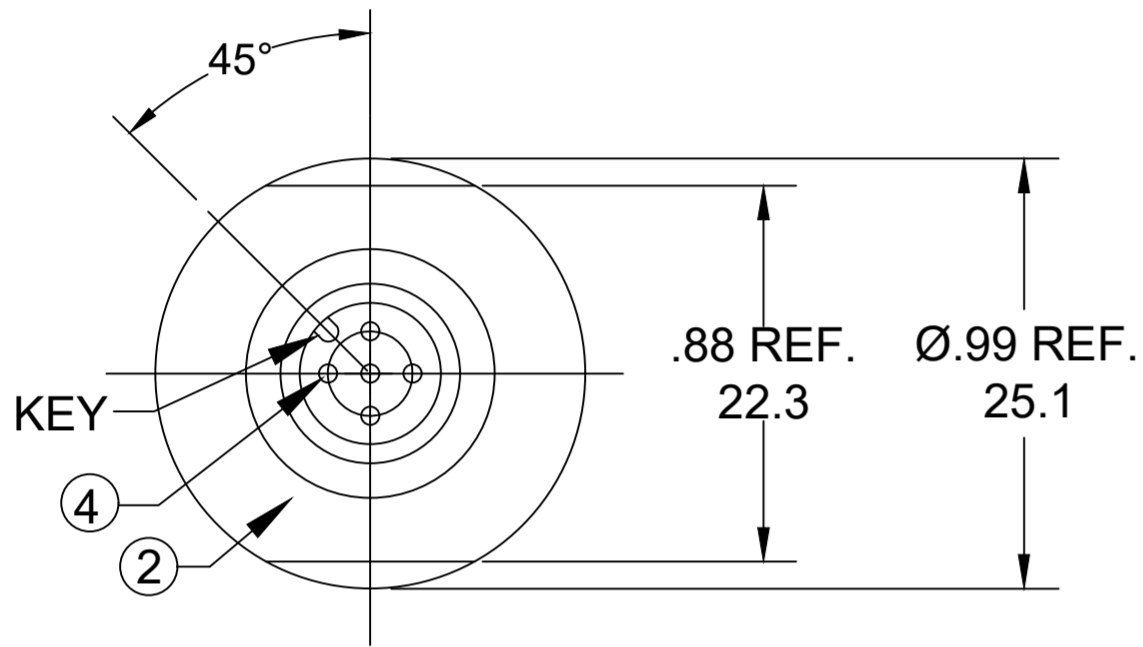
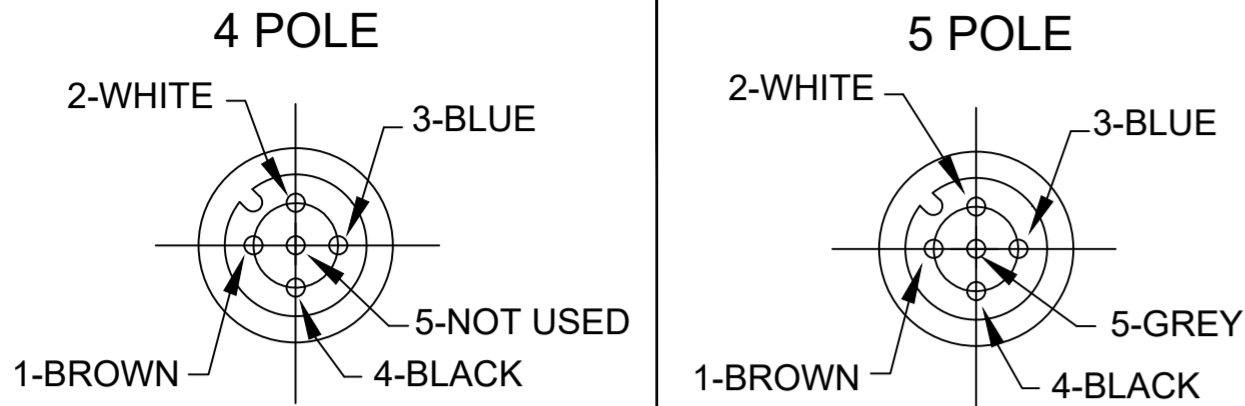


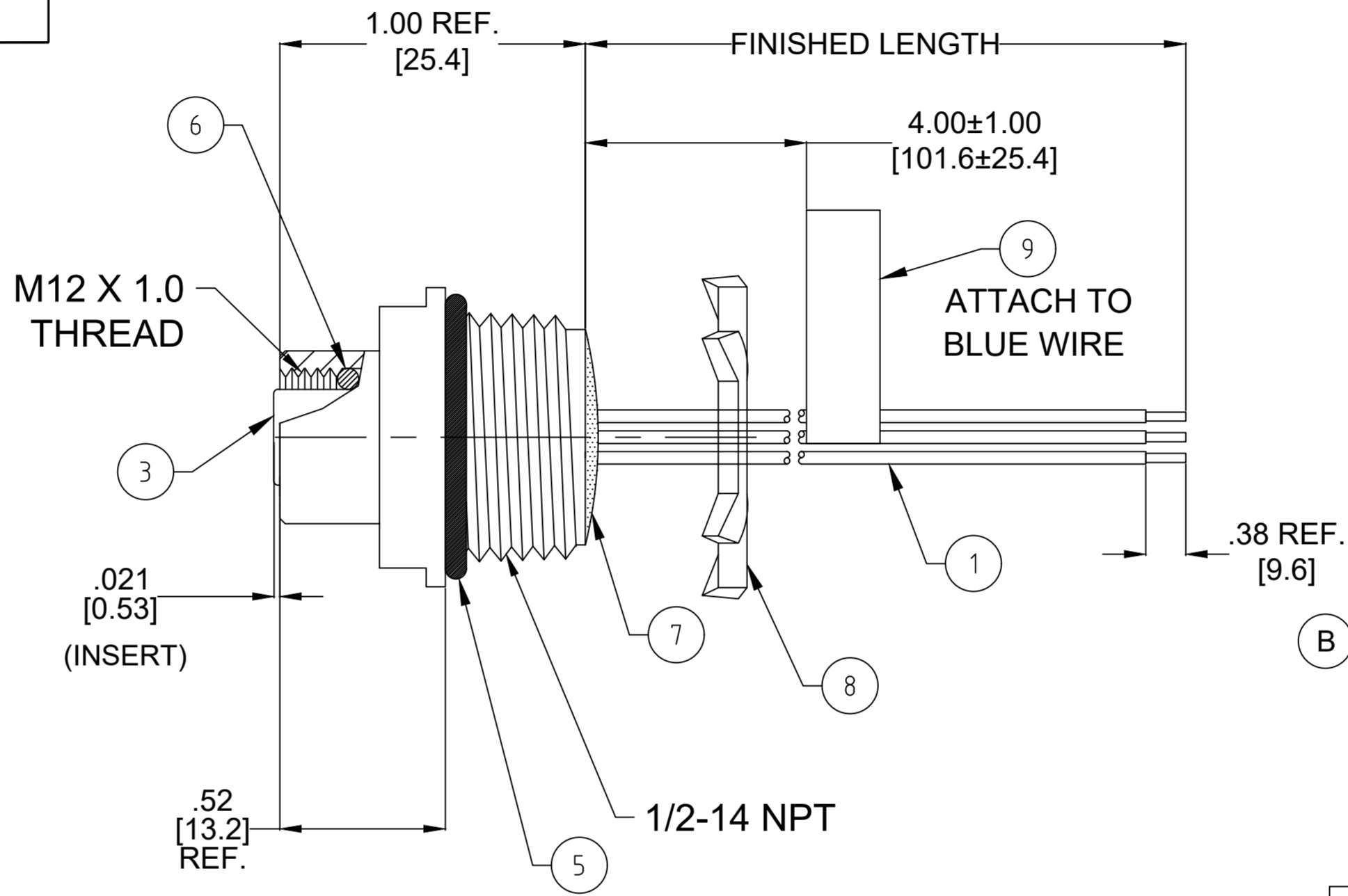
**FRONT VIEW
FEMALE INSERT CONFIGURATION CHART**



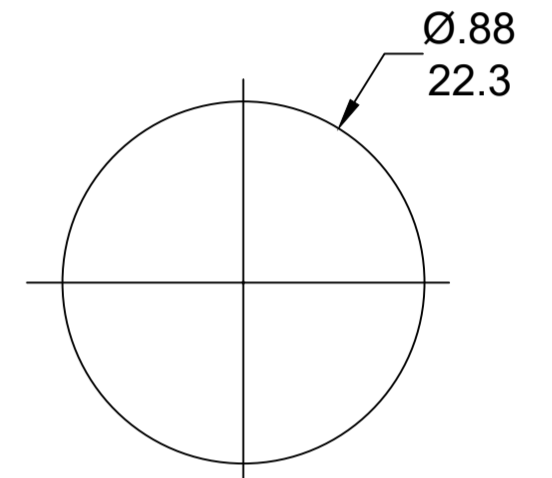
NOTES:

1. MATERIAL: AS NOTED
2. FINISH: AS NOTED
3. ELECTRICAL:
VOLTAGE: 4 & 5P 250V
CURRENT: 4A
4. TEMP RATING: -20°C TO +105°C
5. PROTECTION: IP67 (WHEN MATED)
6. CSA CERTIFIED FILE: LR6837
7. ALL DIMENSIONS ARE FOR REFERENCE UNLESS TOLERANCED OR NOTED OTHERWISE

SAP P/N #	ENGINEERING P/N	FINISHED LENGTH
1200700168	8R4000A16M005	0.5M [1FT 8 IN]
1200704013	8R5000A16M030	3M [9FT 10 IN]
1200700172	8R4000A16M060	6M [19FT 8 IN]



KNOCKOUT HOLE



CABLE LENGTH TOLERANCES

<.3M [1FT]:	+19mm-0 [+.75in-0]
.3 - .9M [1 - 3FT]:	+44.5mm-0 [+1.75in-0]
.9 - 1.8M [3 - 6FT]:	+55.6mm-0 [+2.19in-0]
1.8 - 3.7M [6 - 12FT]:	+88.9mm-0 [+3.50in-0]
3.7 - 7.3M [12 - 24FT]:	+165.1mm-0 [+6.50in-0]
7.3-14.6M [24 - 48FT]:	+317.5mm-0 [+12.50in-0]
14.6 - 30.5M [48-100FT]:	+622.3mm-0 [+24.50in-0]
OVER 30M [100FT]	+2% OF FINISHED LENGTH

PART NO. LEGEND

8R4000A16M005

POLES (4, 5) LENGTH:
M005= 0.5 METER
M010= 1 METER
M100= 10 METER

9	LABEL	VINYL	BLACK/YELLOW
8	LOCKNUT	STEEL	ZINC PLATED
7	POTTING MATERIAL	EPOXY	
6	O-RING (MATING)	VITON	RED
5	O-RING (PANEL)	NITRILE	BLACK
4	CONTACT SOCKET	COPPER ALLOY	GOLD OVER NICKEL
3	FEMALE INSERT	NYLON	BLACK
2	SHELL FM M12x1	ZINC DIE CAST	YELLOW
1	WIRE #18	PVC	SEE FACE VIEW
ITEM	COMPONENT	MATERIAL	FINISH

FUNCTIONAL SYMBOLS				THIS DRAWING CONTAINS INFORMATION THAT IS PROPRIETARY TO MOLEX ELECTRONIC TECHNOLOGIES, LLC AND SHOULD NOT BE USED WITHOUT WRITTEN PERMISSION			
DIMENSION UNITS		SCALE		CURRENT REV DESC: UPDATED BOM, CORRECTED CABLE LENGTH TOLERANCES, CORRECTED STRIPPED WIRE DIM			
INCH/MM		1:1					
GENERAL TOLERANCES (UNLESS SPECIFIED)				EC NO: 727352			
mm		INCH		DRWN: SAMB12 2022/11/03			
4 PLACES ±----		±----		CHK'D: RSTONE 2022/11/03			
3 PLACES ±----		±----		APPR: BWOODMAN 2022/11/03			
2 PLACES ±----		±----		INITIAL REVISION:			
1 PLACE ±----		±----		DRWN: RSTONE 2012/11/05			
0 PLACES ±----		±----		APPR: JFMURPHY 2013/02/07			
DIVISIONAL SYMBOLS				ANGULAR TOL ± ---- °			
DRAFT WHERE APPLICABLE MUST REMAIN WITHIN DIMENSIONS				THIRD ANGLE PROJECTION		DRAWING SERIES	
C-SIZE		120070		DOCUMENT NUMBER: SD-120070-043			
MATERIAL NUMBER		CUSTOMER		DOC TYPE/DOC PART		REVISION	
GENERAL MARKET				PSD 001		B	
SHEET NUMBER				1 OF 1			