

09225VA (3610VL)

92[□]X25^L

DC Axial Fan



General Specifications

Motor Protection	Auto Restart / Polarity Protection
Insulation Resistance	10MΩ or over with a DC500V Megger
Dielectric Withstand Voltage	AC700V 1s
Allowable Ambient Temperature Range	- 10°C ~ + 70°C (Operating) - 40°C ~ + 70°C (Storage) non-condensing environment

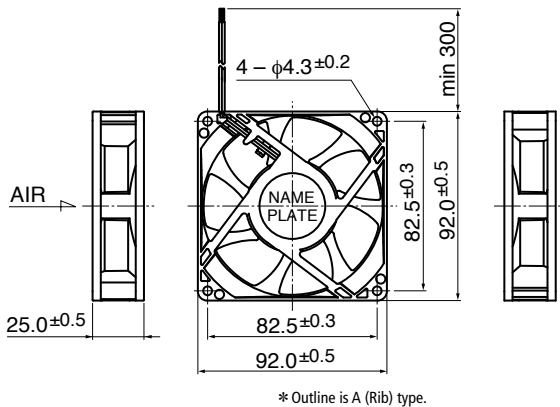
Outline

Expected Life

※ Failure Rate: 10% (L10 Life)

60°C 40,000 (Hours)

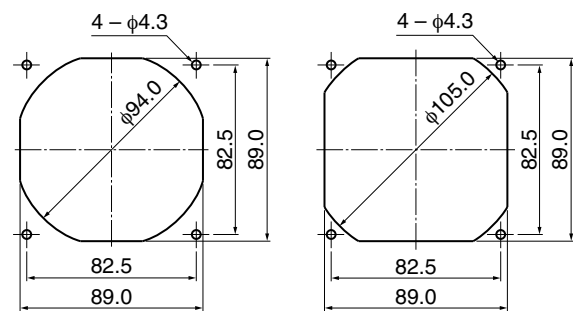
Panel Out-cuts



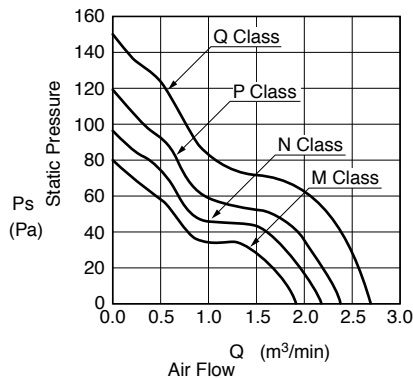
* Outline is A (Rib) type.

(Inlet Side)

(Outlet Side)



Characteristic Curves



Material

Casing	: Plastic (Black) UL94V-0
Impeller	: Plastic (Black) UL94V-0
Bearing	: Ball Bearing
Lead Wire	: UL3385 AWG26 + : Red, - : Black

Customize service for IP compatible type and Oil-proof type is available for this item. Please contact to our sales representative for more detail.

Specifications

□ = Casing Form --- A: Rib Type, E: Flange Type

Model	Product No.	Rating Voltage	Operating Voltage	Current	Input Power	Speed	Max. Air Flow		Max. Static Pressure		Noise	Mass
		(V)	(V)	(A)*1	(W)*1	(min ⁻¹)*1	(m³/min)*1	(CFM)*1	(Pa)*1	(In H ₂ O)*1	(dB)*1	(g)
09225VA-12M-□A-	00	12	7.0 ~ 13.8	0.30	3.60	4000	1.93	68.1	80.0	0.32	42.0	135
09225VA-12N-□A-	00			0.40	4.80	4500	2.18	77.0	98.0	0.39	45.0	
09225VA-12P-□A-	00			0.52	6.24	5000	2.43	85.8	120.0	0.48	48.0	
09225VA-12Q-□A-	00			0.72	8.64	5600	2.73	96.4	150.0	0.60	51.0	
09225VA-24M-□A-	00	24	14.0 ~ 27.6	0.17	4.08	4000	1.93	68.1	80.0	0.32	42.0	
09225VA-24N-□A-	00			0.22	5.28	4500	2.18	77.0	98.0	0.39	45.0	
09225VA-24P-□A-	00			0.28	6.72	5000	2.43	85.8	120.0	0.48	48.0	
09225VA-24Q-□A-	00			0.38	9.12	5600	2.73	96.4	150.0	0.60	51.0	

Rotation: Clockwise as seen from the label side
Airflow Outlet: Label side

*1: Average Values in Free Air

General Specifications

Motor Protection:

Auto Restart/Polarity Protection

Insulation Resistance:

10M Ω or over with a DC500V Megger

Dielectric Withstand Voltage: AC 700V 1s

Allowable Ambient Temperature Range:

-10°C ~ +70°C (Operating)

-40°C ~ +70°C (Storage)

IP Code: IP69K

Expected Life

25°C 100,000 Hours (L10)

Material

Casing : Plastic (Black) UL94V-0

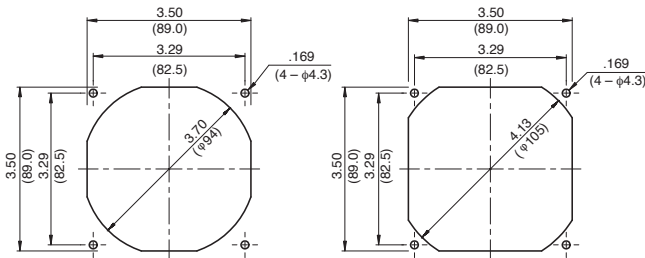
Impeller : Plastic (Black) UL94V-0

Bearing : Ball Bearing

Lead Wire : UL3385, AWG26, +Red, -Black

Panel Cut-Outs

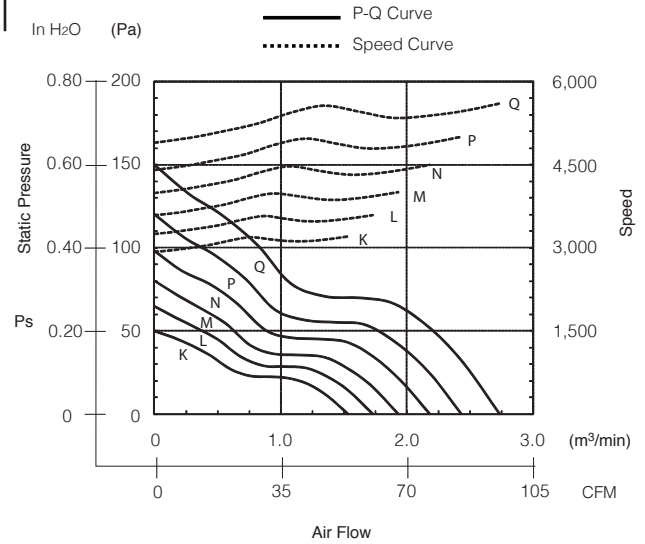
Units: $\frac{\text{inch}}{\text{mm}}$



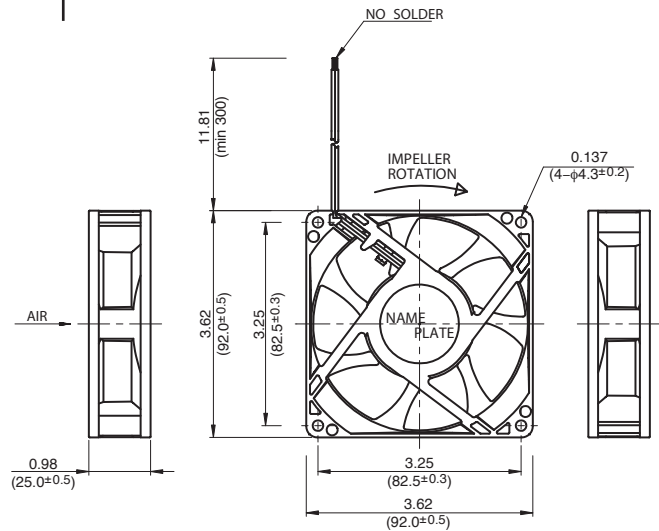
INLET SIDE

OUTLET SIDE

Characteristic Curves



Outline



Specifications

MODEL	Rated Voltage	Operating Voltage	Current	Input Power	Speed	Max. Air Flow		Max. Static Pressure		Noise	Mass
	(V)	(V)	(A) ^{*1}	(W) ^{*1}	(min ⁻¹) ^{*1}	CFM ^{*1}	(m ³ /min) ^{*1}	in H ₂ O	(Pa) ^{*1}	(dB) ^{*1}	(g)
09225VA-12K-CA-00	12	7.0 ~ 13.8	0.18	2.16	3200	54.03	1.53	.20	50.0	35.5	150
09225VA-12L-CA-00	12	7.0 ~ 13.8	0.24	2.88	3600	61.09	1.73	.26	65.0	38.5	150
09225VA-12M-CA-00	12	7.0 ~ 13.8	0.30	3.60	4000	68.16	1.93	.32	80.0	42.0	150
09225VA-12N-CA-00	12	7.0 ~ 13.8	0.40	4.80	4500	76.99	2.18	.39	98.0	45.0	150
09225VA-12P-CA-00	12	7.0 ~ 13.8	0.52	6.24	5000	85.81	2.43	.48	120.0	48.0	150
09225VA-12Q-CA-00	12	7.0 ~ 13.8	0.72	8.64	5600	96.41	2.73	.60	150.0	51.0	150

Rotation: Clockwise

Airflow Outlet: Air Out Over Struts

*1: Average Values in Free Air

Note: PWM/Locked Rotor/Tach Available

Specifications

MODEL	Rated Voltage	Operating Voltage	Current	Input Power	Speed	Max. Air Flow		Max. Static Pressure		Noise	Mass
	(V)	(V)	(A) ^{*1}	(W) ^{*1}	(min ⁻¹) ^{*1}	CFM ^{*1}	(m ³ /min) ^{*1}	in H ₂ O	(Pa) ^{*1}	(dB) ^{*1}	(g)
09225VA-24K-CA-00	24	14.0 ~ 27.6	0.11	2.64	3200	54.03	1.53	.20	50.0	35.5	150
09225VA-24L-CA-00	24	14.0 ~ 27.6	0.14	3.36	3600	61.09	1.73	.26	65.0	38.5	150
09225VA-24M-CA-00	24	14.0 ~ 27.6	0.17	4.08	4000	68.16	1.93	.32	80.0	42.0	150
09225VA-24N-CA-00	24	14.0 ~ 27.6	0.22	5.28	4500	76.99	2.18	.39	98.0	45.0	150
09225VA-24P-CA-00	24	14.0 ~ 27.6	0.28	6.72	5000	85.81	2.43	.48	120.0	48.0	150
09225VA-24Q-CA-00	24	14.0 ~ 27.6	0.38	9.12	5600	96.41	2.73	.60	150.0	51.0	150

Rotation: Clockwise

Airflow Outlet: Air Out Over Struts

*1: Average Values in Free Air

Note: PWM/Locked Rotor/Tach Available