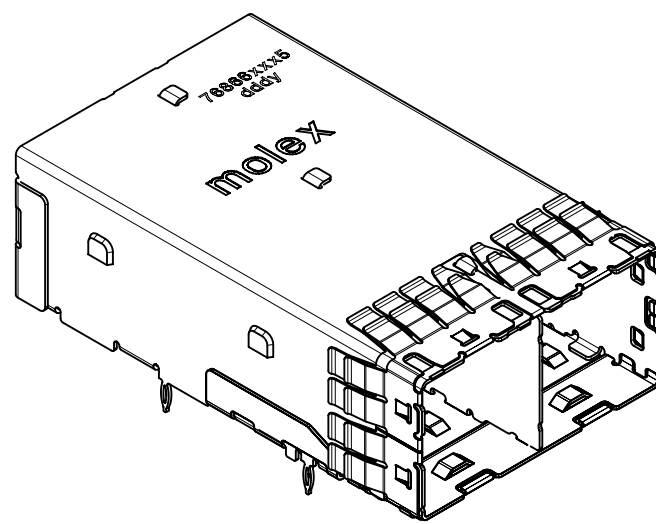
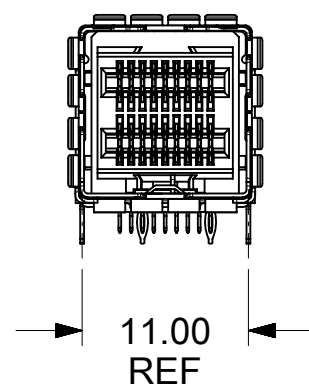
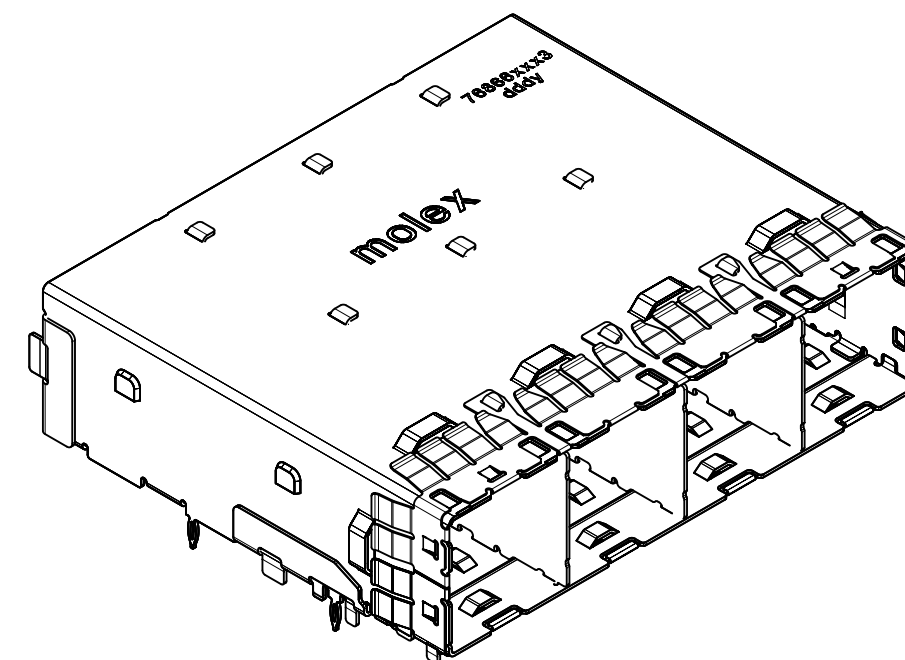
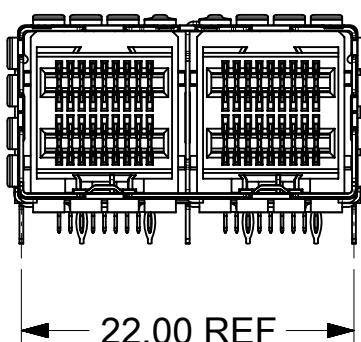


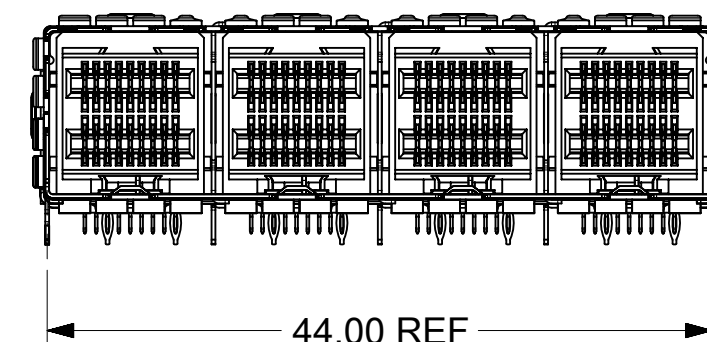
1x1



1x2



1x4



NOTES:

1. MATERIALS:
 CONNECTOR HOUSING: HIGH TEMPERATURE THERMOPLASTIC
 GLASS FILLED, UL 94V-0
 EMI CAGE: NICKEL SILVER ALLOY
 EMI CAGE BASE: STAINLESS STEEL
 EMI FINGERS: COPPER ALLOY
 TERMINALS: COPPER ALLOY
2. FINISHES:
 EMI FINGERS: 0.50µM MIN NICKEL
 CONTACT AREA: 0.76µM MIN GOLD OVER 3.81µM MIN NICKEL
 TAIL AREA: 0.76µM-1.52µM TIN OVER 1.27µM MIN NICKEL
3. PRODUCT SPECIFICATION: PS-76866-001
4. PACKAGING SPECIFICATION: PK-76866-001
5. MATES WITH: MOLEX CABLE SERIES 111068, 111073, 111074, & 111075
6. RECOMMENDED MOUNTING HARDWARE: REFER TO APPLICATION SPECIFICATION AS-76866-001
7. THIS PART CONFORMS TO CLASS C REQUIREMENTS OF MOLEX COSMETIC SPECIFICATION PS-45499-002
8. PLUG MODULE PCB LAYOUT REFER TO SD-76866-9900

| CONFIGURATION | MATERIAL NO. |
|---------------|--------------|
| 1 X 1 | 768661011 |
| 1 X 2 | 768661015 |
| 1 X 4 | 768661013 |

| THIS DRAWING CONTAINS INFORMATION THAT IS PROPRIETARY TO MOLEX ELECTRONIC TECHNOLOGIES, LLC AND SHOULD NOT BE USED WITHOUT WRITTEN PERMISSION | | | | | | | | | |
|---|--|----|------------------------|--|---------------------------|--------------|----------------|---------------------|--|
| SYMBOLS | DIMENSION UNITS | | SCALE | | CURRENT REV DESC: | | | | |
| | ▽ = 0 | MM | 1:1 | EC NO: 611291 | | | | | |
| ▽ = 0 | GENERAL TOLERANCES (UNLESS SPECIFIED) | | | DRWN: GSHARMA 2019/01/04 | | | | | |
| ▽ = 0 | | MM | INCH | CHK'D: JKACHLIC 2019/07/18 | | | | | |
| ▽ = 0 | 4 PLACES | ± | ± | APPR: JKACHLIC 2019/07/18 | | | | | |
| ▽ = 0 | 3 PLACES | ± | ± | INITIAL REVISION: | | | | | |
| ▽ = 0 | 2 PLACES | ± | 0.13 | ± | DRWN: KLANG 2011/09/29 | | | | |
| ▽ = 0 | 1 PLACE | ± | 0.25 | ± | APPR: MBANAKIS 2013/08/01 | | | | |
| ▽ = 0 | 0 PLACES | ± | ± | DRAFT WHERE APPLICABLE MUST REMAIN WITHIN DIMENSIONS | | | | | |
| ▽ = 0 | ANGULAR TOL | | ± 0.5 ° | | THIRD ANGLE PROJECTION | | DRAWING SERIES | | |
| ▽ = 0 | DRAFT WHERE APPLICABLE MUST REMAIN WITHIN DIMENSIONS | | THIRD ANGLE PROJECTION | | DRAWING SERIES | | C-SIZE 76866 | | |
| DOCUMENT STATUS | | | | P1 | | RELEASE DATE | | 2019/07/18 04:55:14 | |
| DOCUMENT NUMBER | | | | SD-76866-1000 | | DOC TYPE | | PSD | |
| MATERIAL NUMBER | | | | SEE CHART | | CUSTOMER | | GENERAL MARKET | |
| DOC PART | | | | 001 | | DOC TYPE | | B2 | |
| DOC PART | | | | 001 | | DOC PART | | B2 | |
| SHEET NUMBER | | | | 1 OF 12 | | SHEET NUMBER | | 1 OF 12 | |

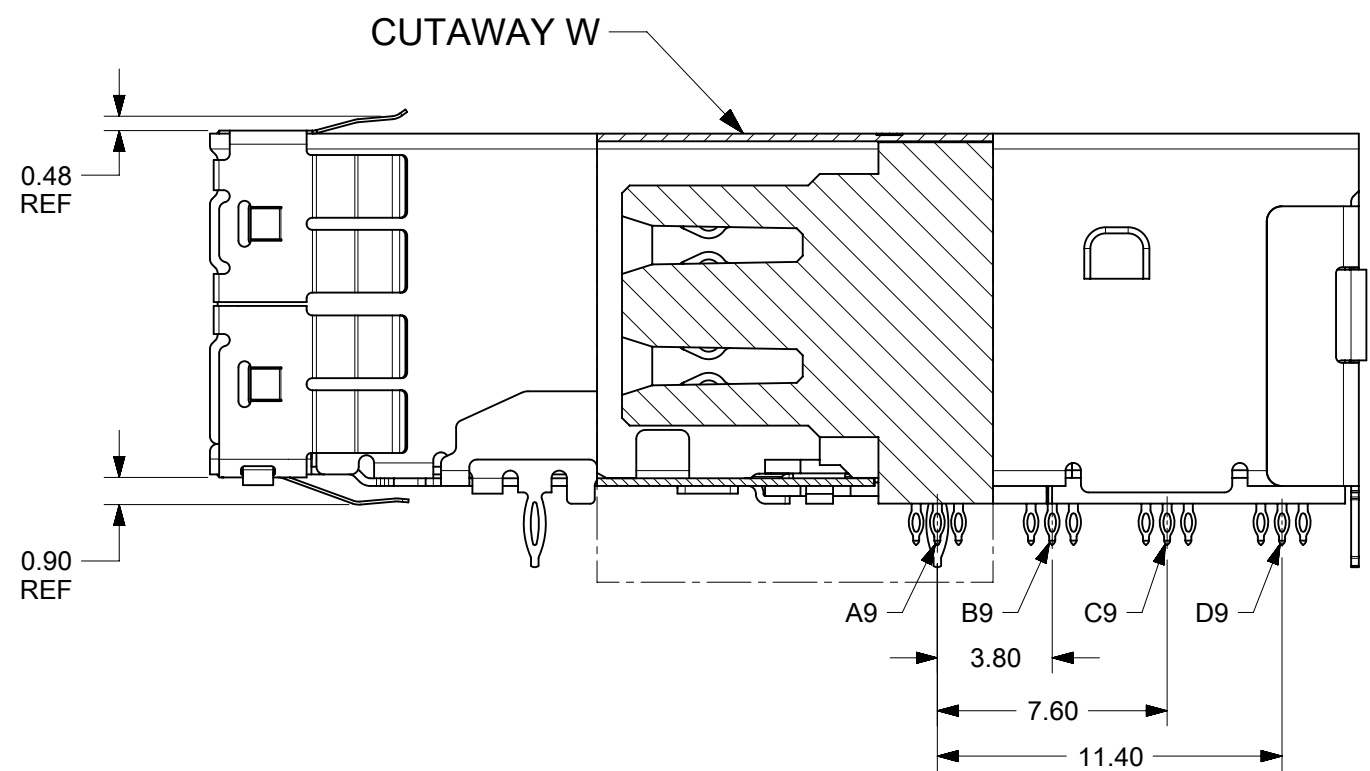
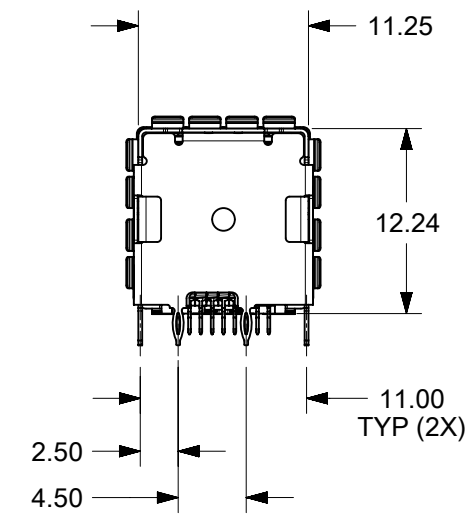
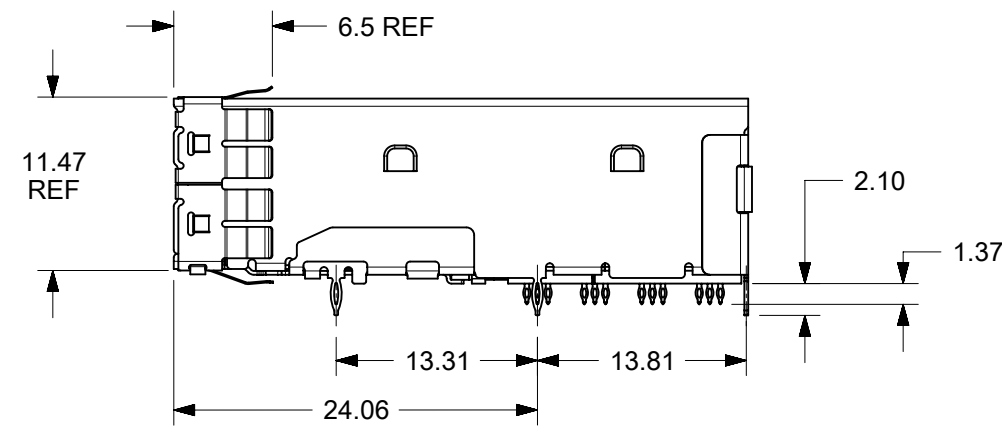
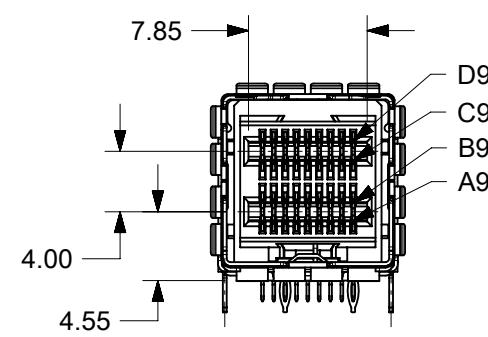
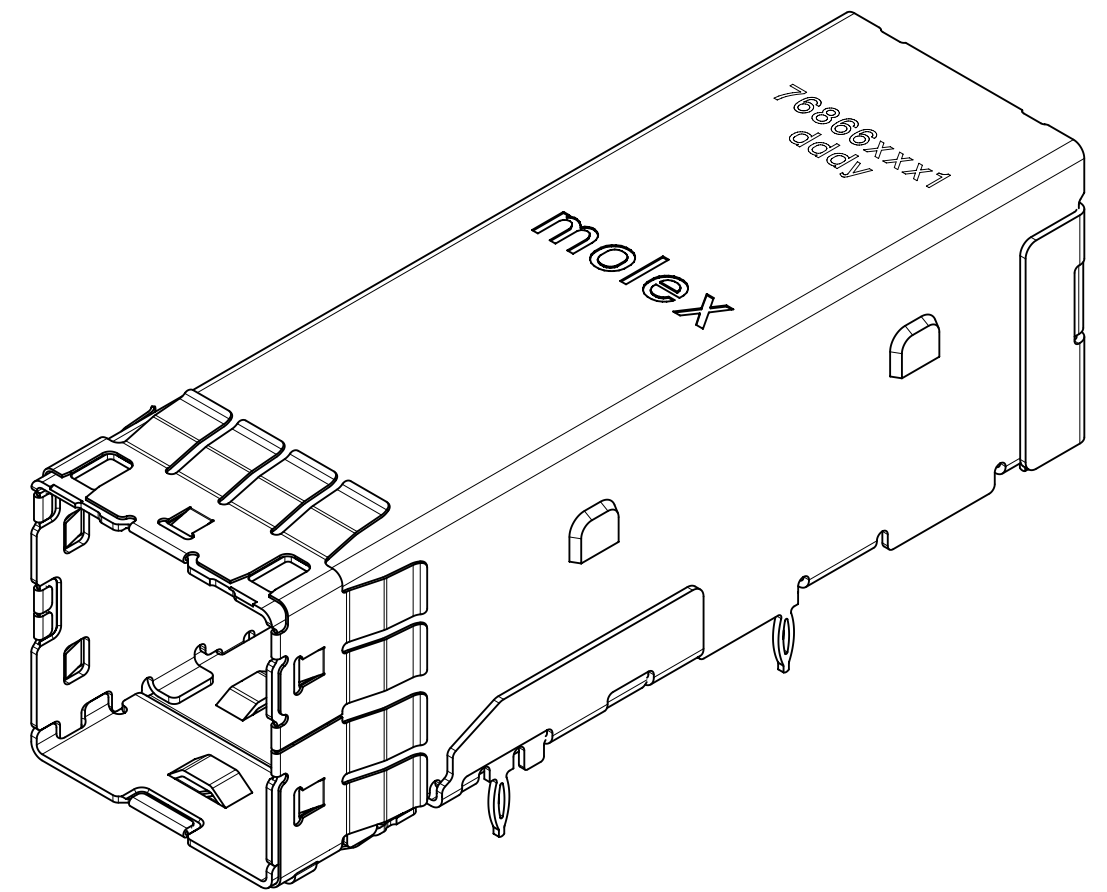
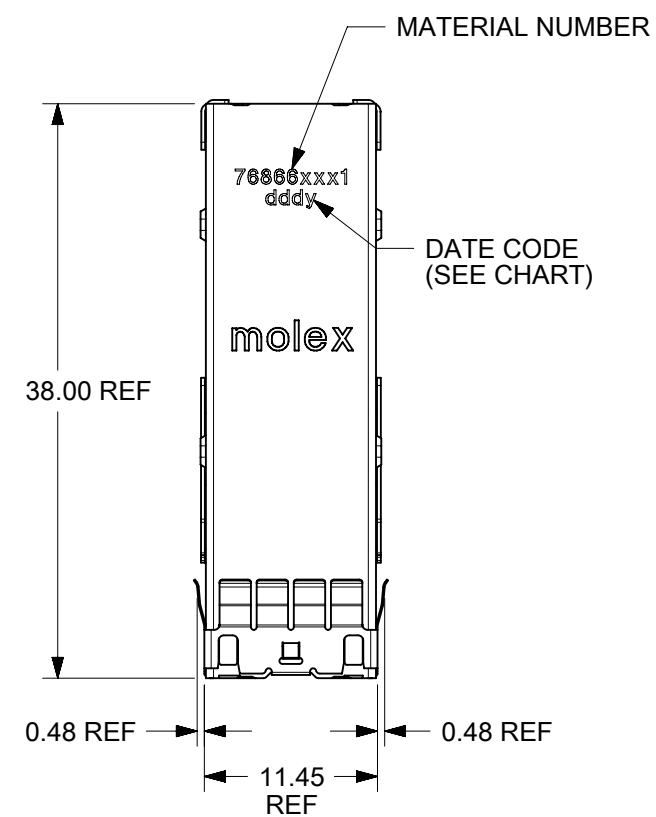
molex

IPASS PLUS HD - 12G
EXTERNAL

PRODUCT CUSTOMER DRAWING

| | | | |
|-----------------|----------|----------|----------|
| DOCUMENT NUMBER | DOC TYPE | DOC PART | REVISION |
| SD-76866-1000 | PSD | 001 | B2 |

| | | |
|-----------------|----------------|--------------|
| MATERIAL NUMBER | CUSTOMER | SHEET NUMBER |
| SEE CHART | GENERAL MARKET | 1 OF 12 |



1X1 ASSEMBLY

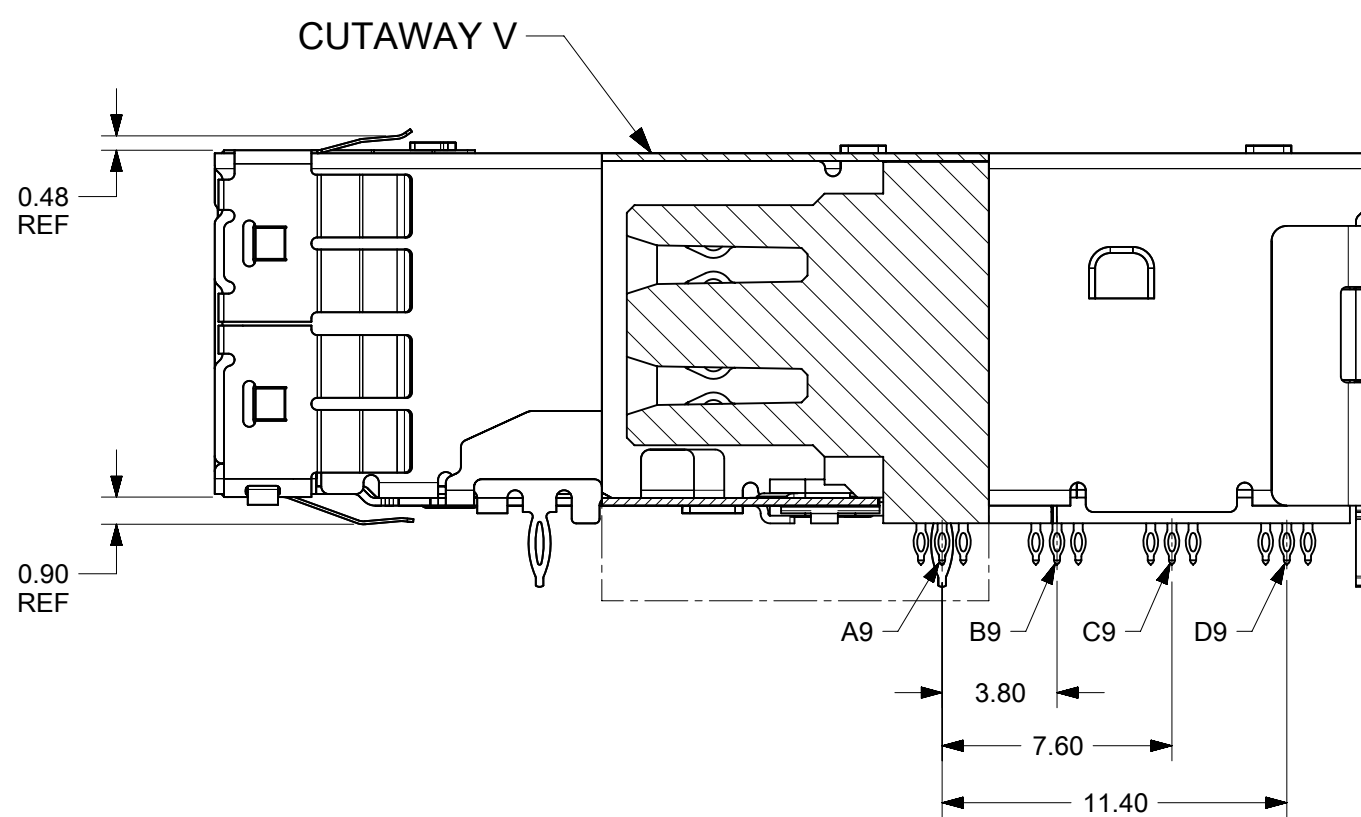
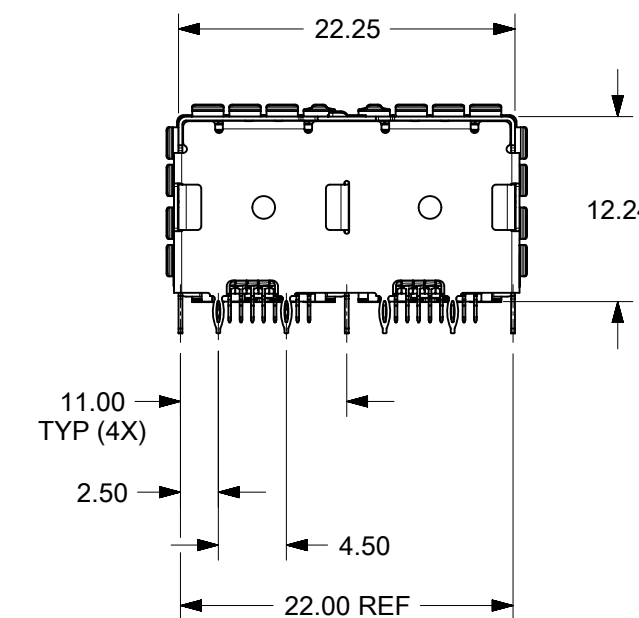
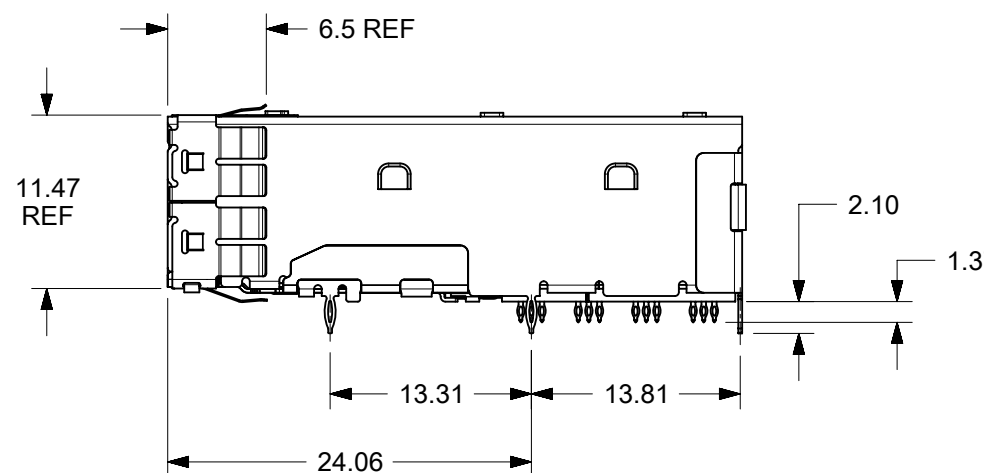
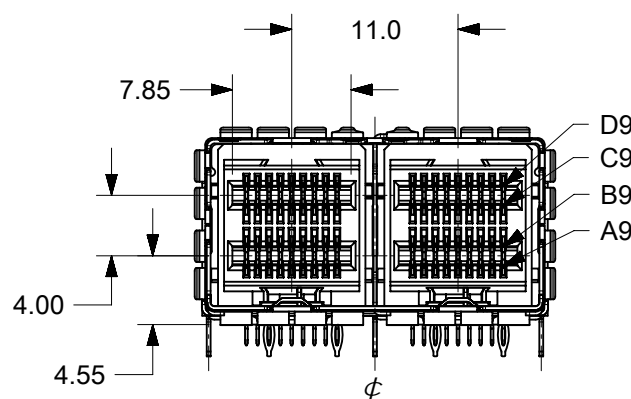
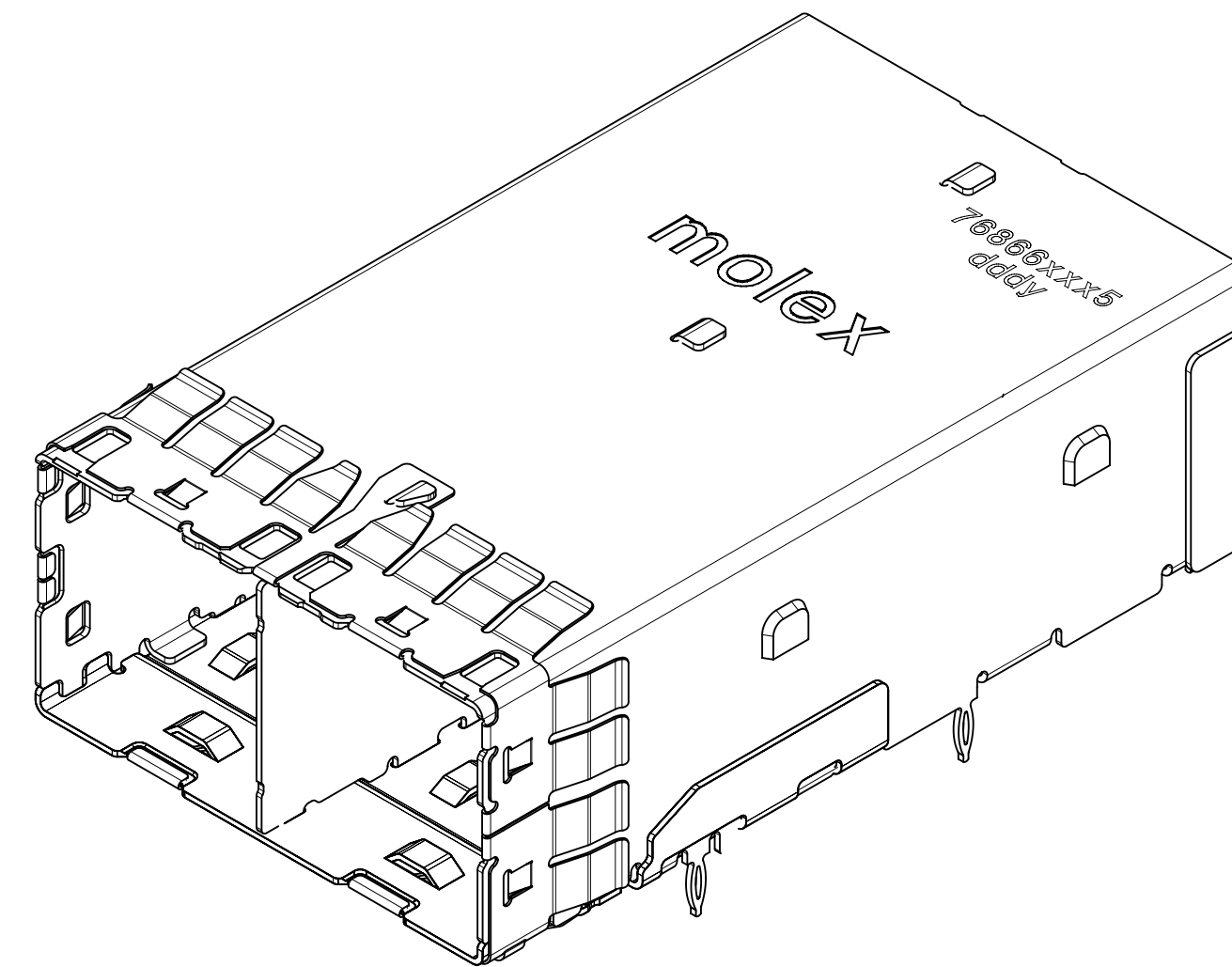
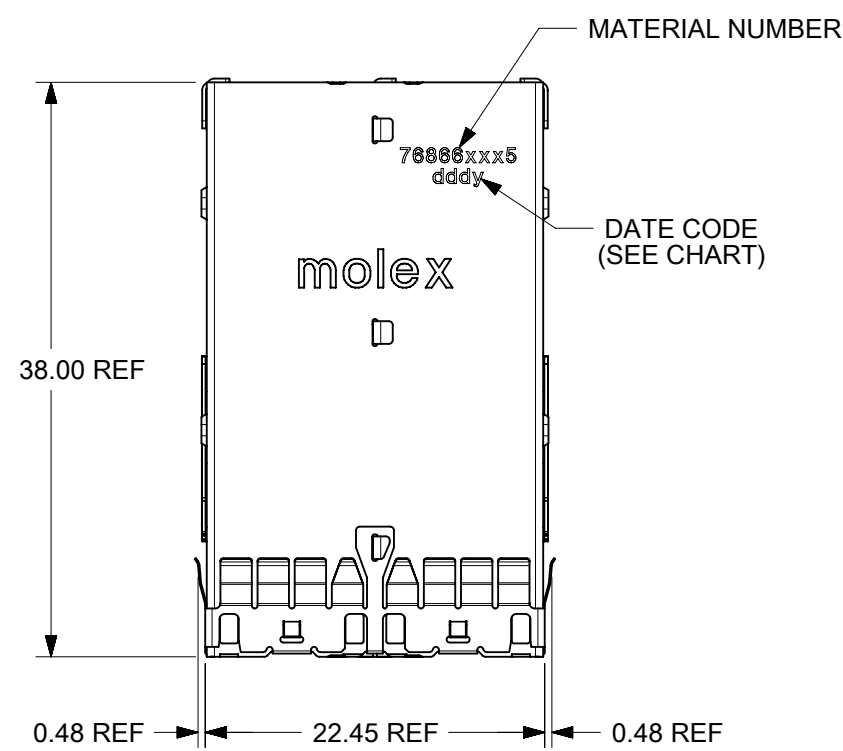
| | |
|------------------------|-----------|
| MEXICO | DDDY |
| CHINA | MSHDDDY |
| MANUFACTURING LOCATION | DATE CODE |

| | | | | |
|--|---|--------------------------|-------------------|--|
| SYMBOLS DIMENSION UNITS: MM, INCH SCALE: 2:1 GENERAL TOLERANCES (UNLESS SPECIFIED): 4 PLACES ±, 3 PLACES ±, 2 PLACES ± 0.13, 1 PLACE ± 0.25, 0 PLACES ± ANGULAR TOL ± 0.5° DRAFT WHERE APPLICABLE MUST REMAIN WITHIN DIMENSIONS THIRD ANGLE PROJECTION | THIS DRAWING CONTAINS INFORMATION THAT IS PROPRIETARY TO MOLEX ELECTRONIC TECHNOLOGIES, LLC AND SHOULD NOT BE USED WITHOUT WRITTEN PERMISSION | | CURRENT REV DESC: | |
| | EC NO: 611291 | | 2019/01/04 | |
| | DRWN: GSHARMA | | 2019/07/18 | |
| | CHK'D: JKACHLIC | | 2019/07/18 | |
| APPR: JKACHLIC | | 2019/07/18 | | |
| INITIAL REVISION: | | 2011/09/29 | | |
| DRWN: KLANG | | 2013/08/01 | | |
| APPR: MBANAKIS | | 2013/08/01 | | |
| DRAWING: C-SIZE | | SERIES: 76866 | | |
| DOCUMENT NUMBER: SD-76866-1000 | | DOC TYPE: PSD | | |
| DOC PART: 001 | | REVISION: B2 | | |
| MATERIAL NUMBER: SEE CHART | | CUSTOMER: GENERAL MARKET | | |
| SHEET NUMBER: 2 OF 12 | | | | |

molex

IPASS PLUS HD - 12G EXTERNAL

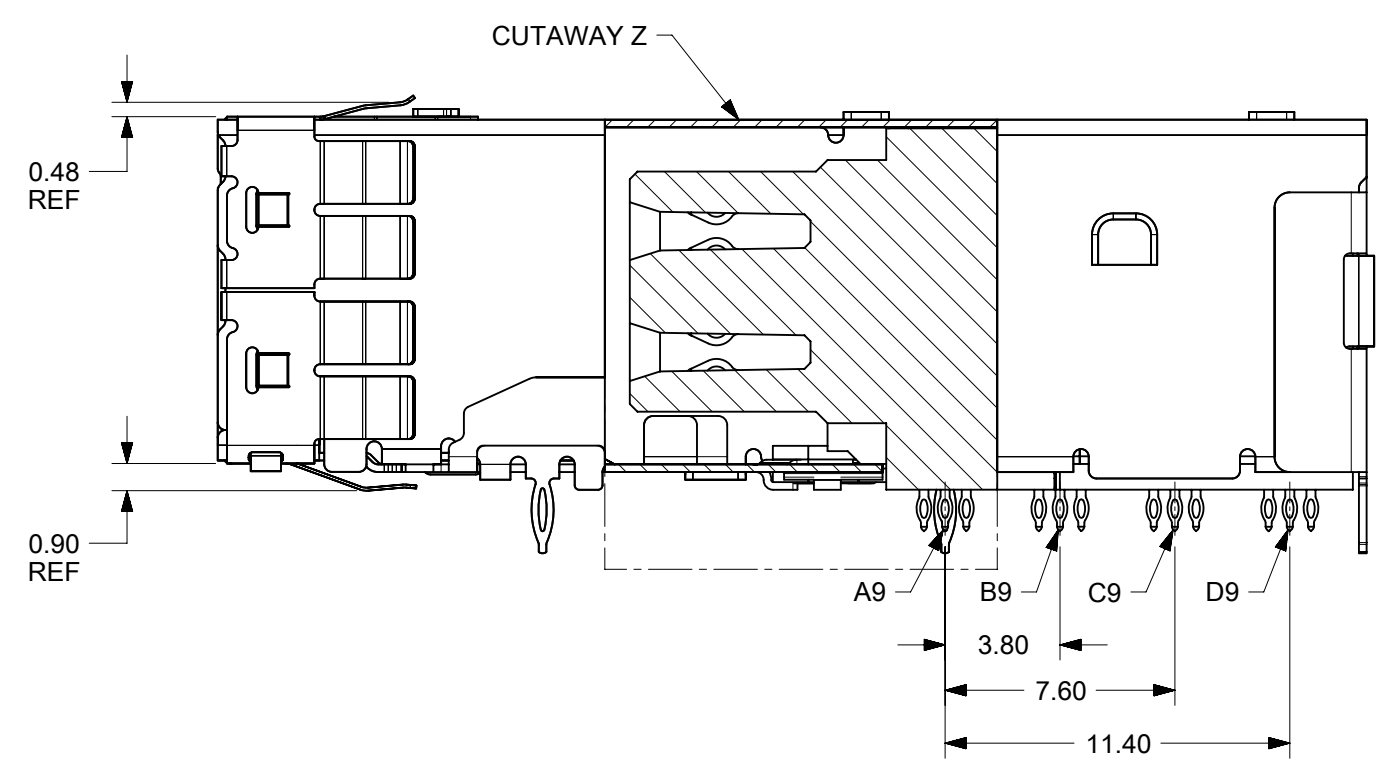
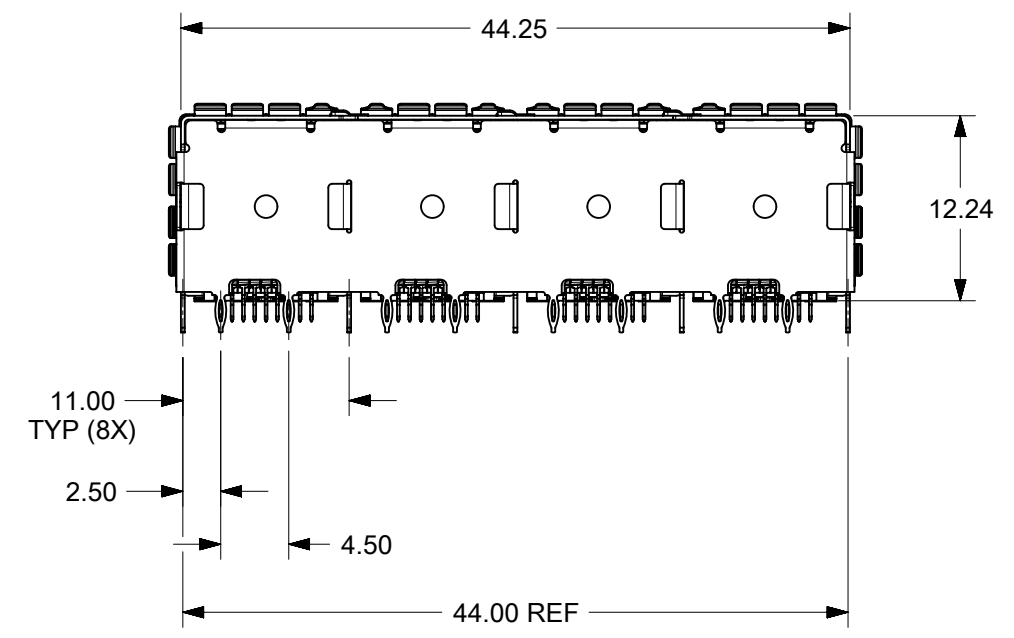
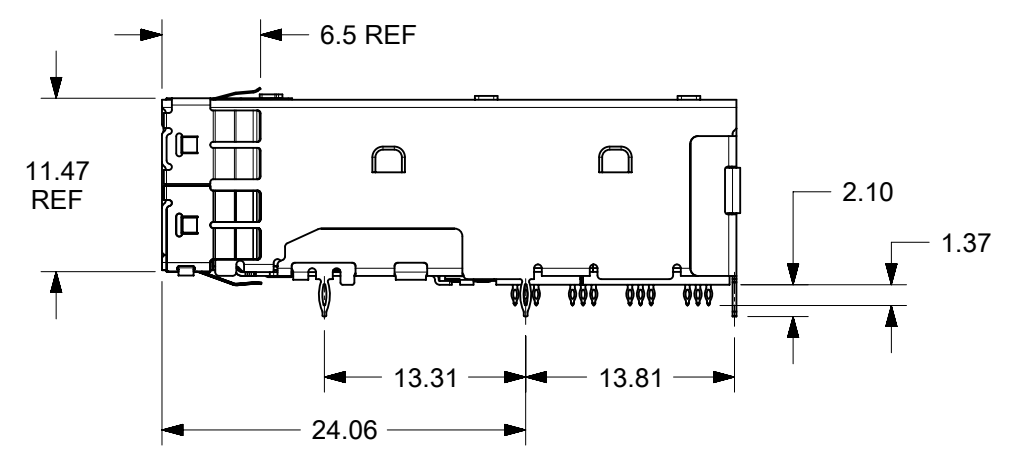
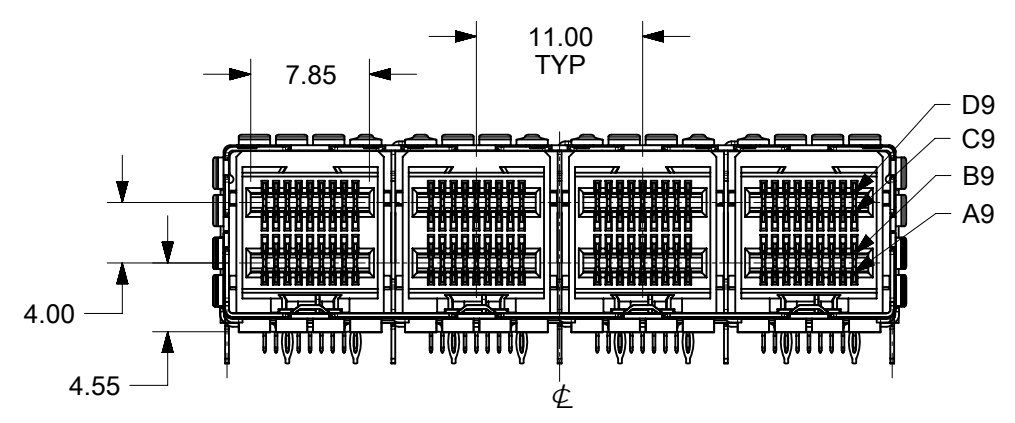
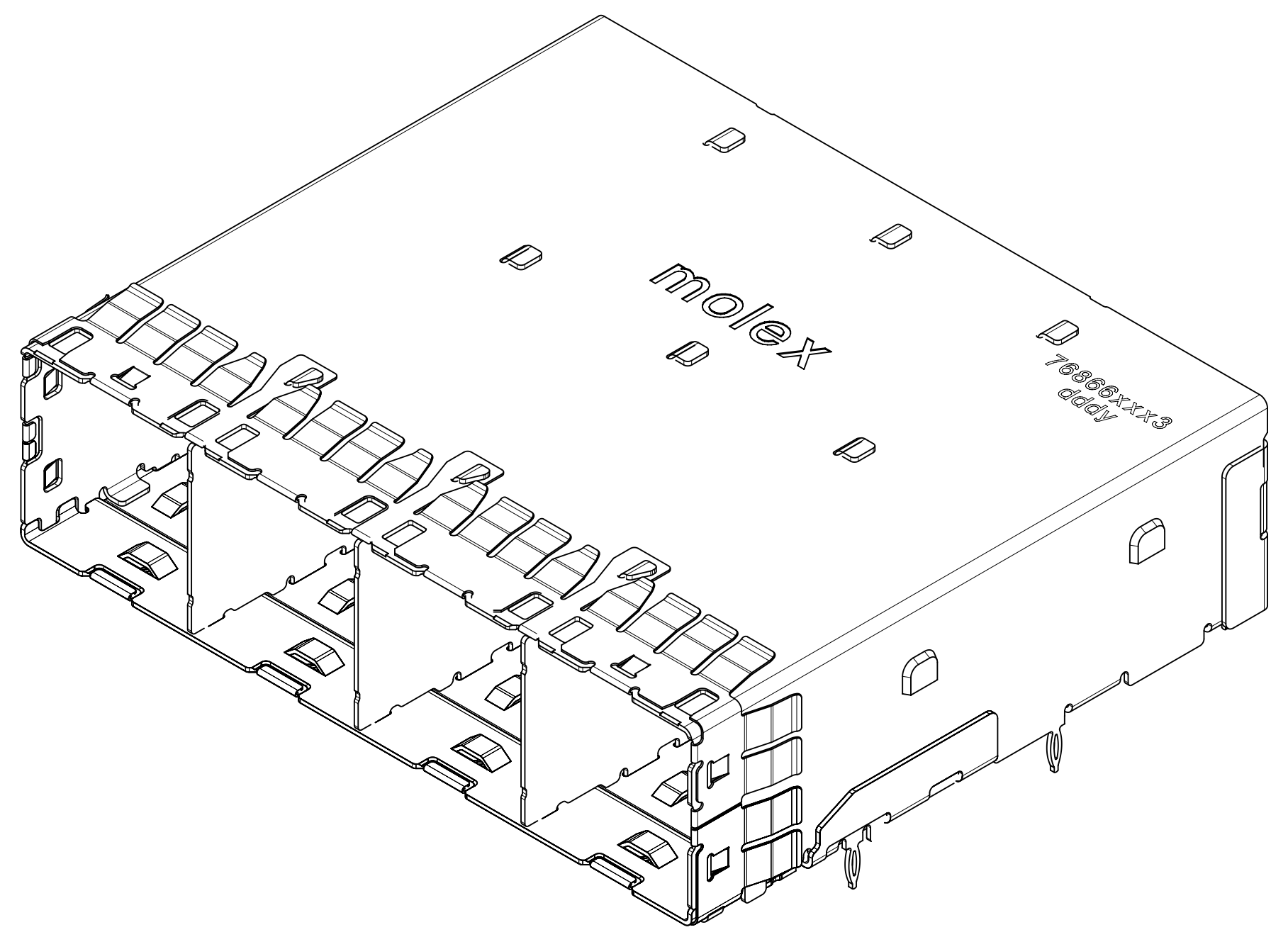
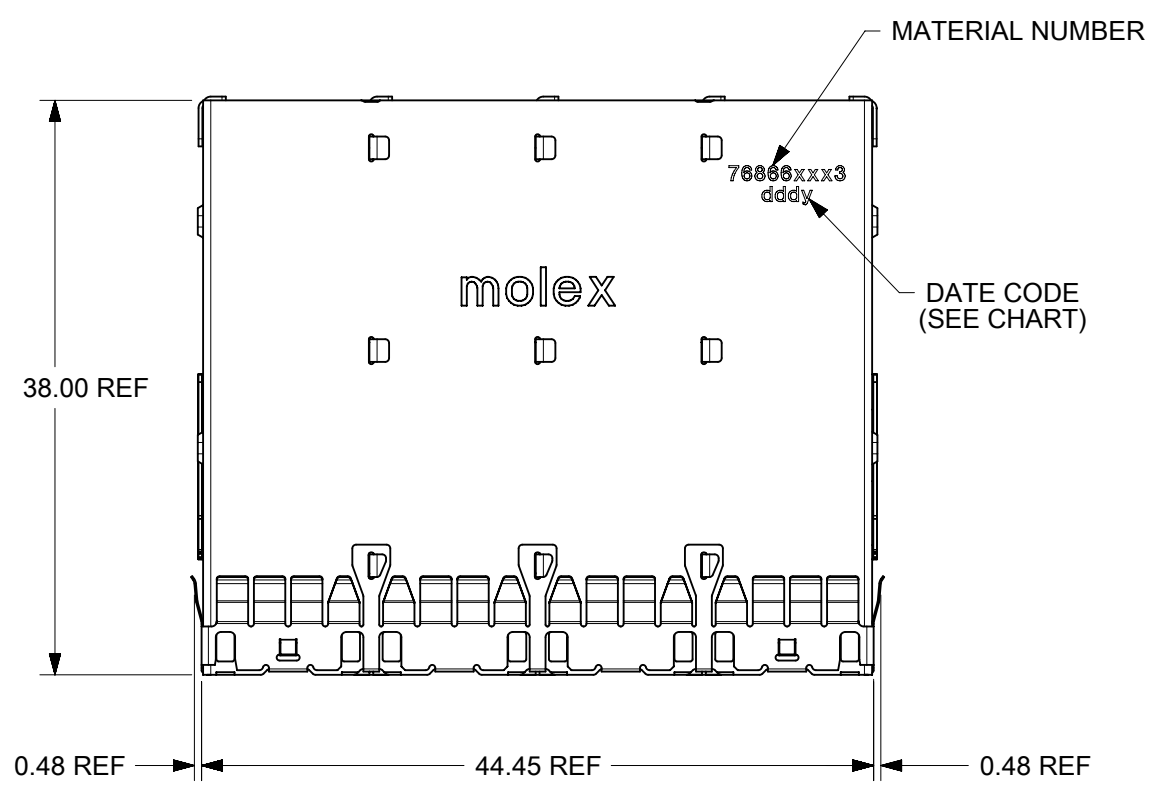
PRODUCT CUSTOMER DRAWING



1X2 ASSEMBLY

| | |
|------------------------|-----------|
| MEXICO | DDDY |
| CHINA | MSHDDDY |
| MANUFACTURING LOCATION | DATE CODE |

| | | | | | | | |
|--|--|--------------------------------|---|-----------------------|--|--|--|
| SYMBOLS DIMENSION UNITS: MM SCALE: 2:1 GENERAL TOLERANCES (UNLESS SPECIFIED): 4 PLACES ± 3 PLACES ± 2 PLACES ± 0.13 1 PLACE ± 0.25 0 PLACES ± ANGULAR TOL ± 0.5° DRAFT WHERE APPLICABLE MUST REMAIN WITHIN DIMENSIONS THIRD ANGLE PROJECTION DRAWING SERIES: C-SIZE 76866 | THIS DRAWING CONTAINS INFORMATION THAT IS PROPRIETARY TO MOLEX ELECTRONIC TECHNOLOGIES, LLC AND SHOULD NOT BE USED WITHOUT WRITTEN PERMISSION. | | CURRENT REV DESC: EC NO: 611291 DRWN: GSHARMA 2019/01/04 CHK'D: JKACHLIC 2019/07/18 APPR: JKACHLIC 2019/07/18 INITIAL REVISION: DRWN: KLANG 2011/09/29 APPR: MBANAKIS 2013/08/01 | | molex IPASS PLUS HD - 12G EXTERNAL PRODUCT CUSTOMER DRAWING | | |
| | DOCUMENT NUMBER: SD-76866-1000 MATERIAL NUMBER: SEE CHART | DOC TYPE: PSD DOC PART: 001 | REVISION: B2 CUSTOMER: GENERAL MARKET | SHEET NUMBER: 3 OF 12 | | | |

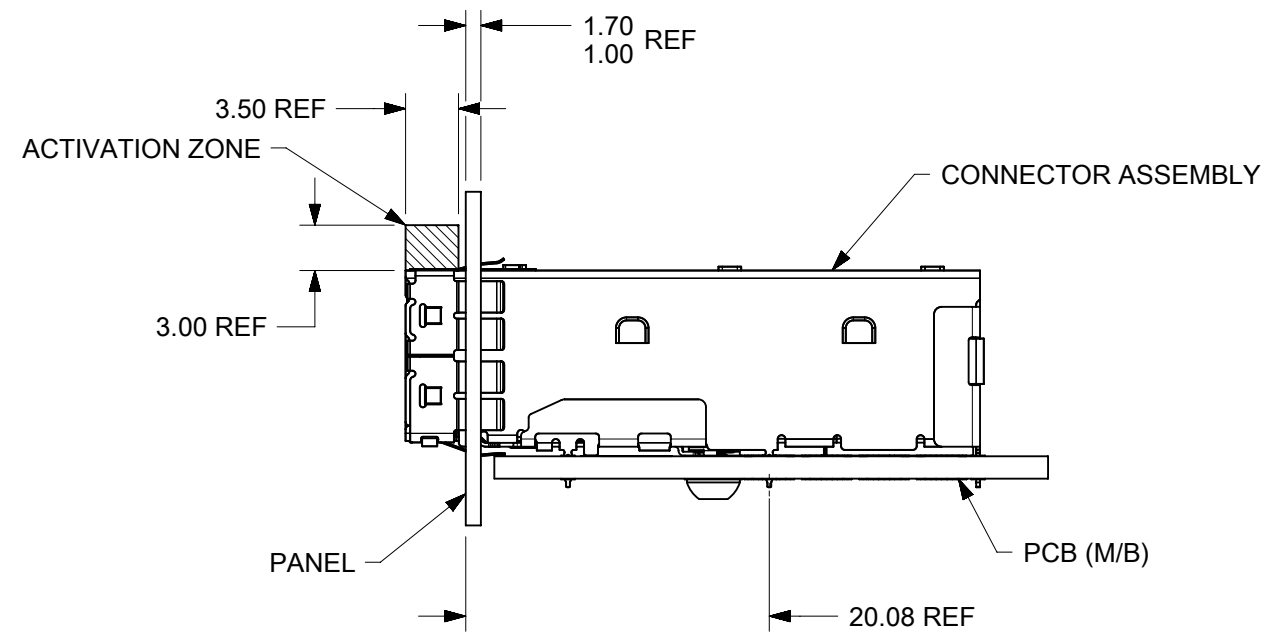


1X4 ASSEMBLY

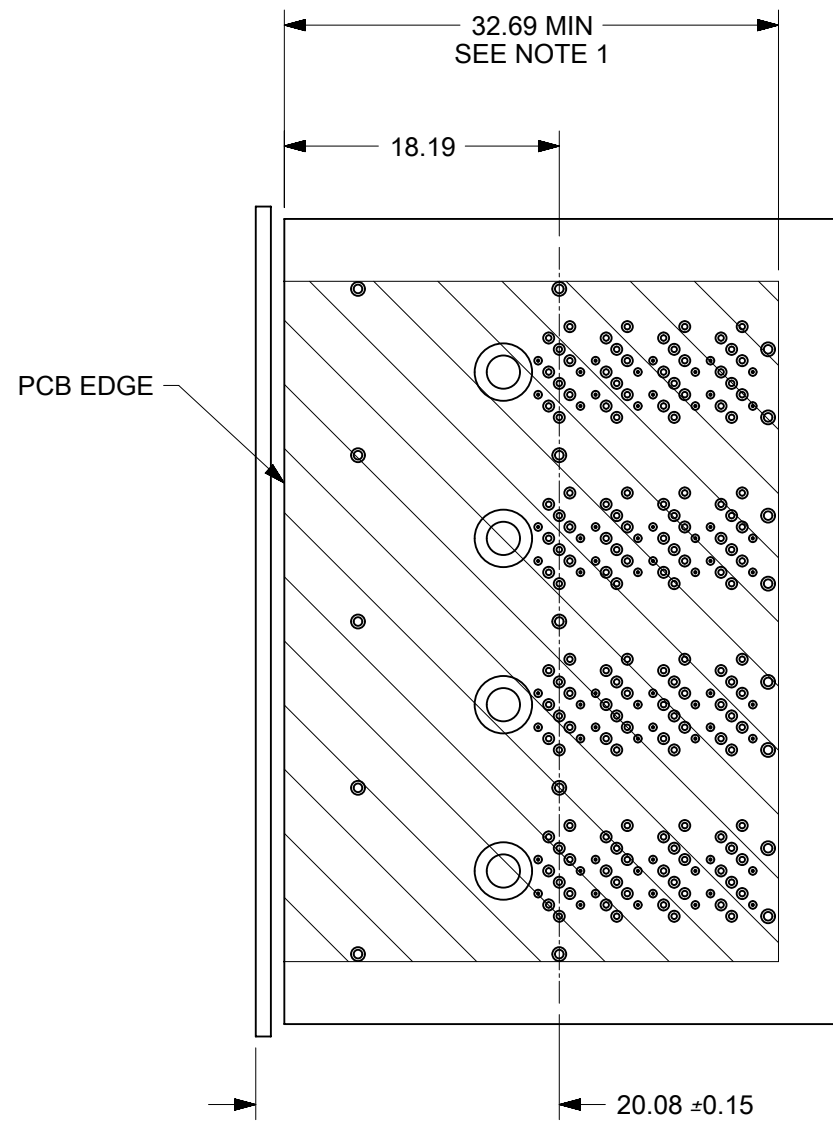
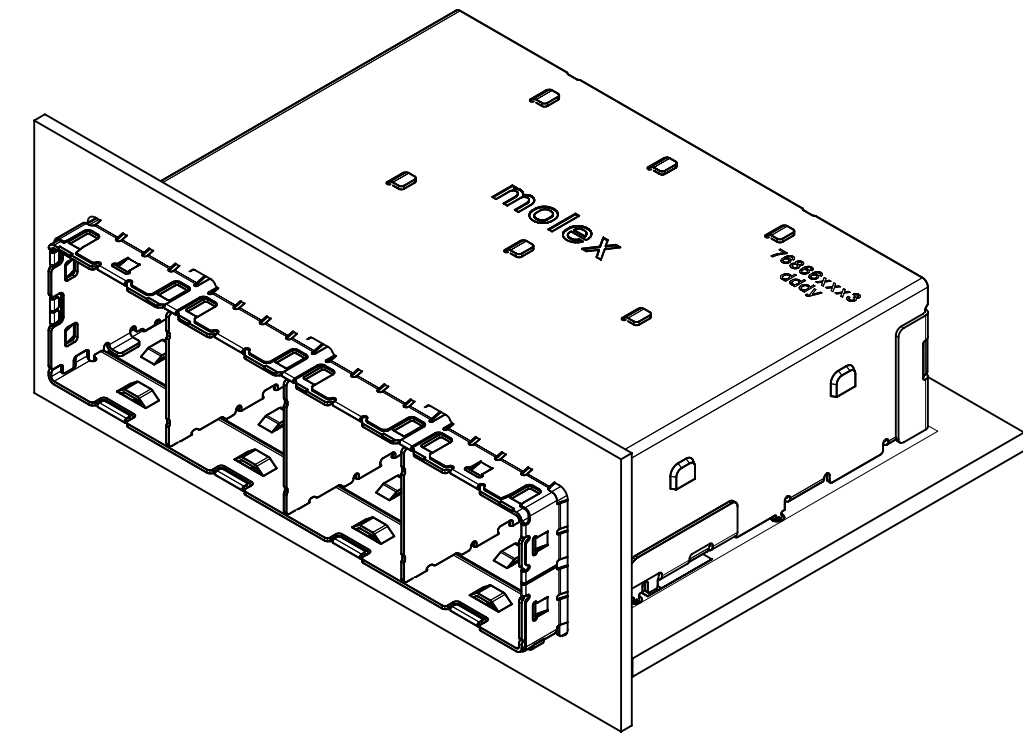
| | |
|------------------------|-----------|
| MEXICO | DDDY |
| CHINA | MSHDDDY |
| MANUFACTURING LOCATION | DATE CODE |

| | | | | | | | |
|--|--|--|---|--|--|--|--|
| SYMBOLS DIMENSION UNITS: MM SCALE: 2:1 GENERAL TOLERANCES (UNLESS SPECIFIED): 4 PLACES ± 3 PLACES ± 2 PLACES ± 0.13 1 PLACE ± 0.25 0 PLACES ± ANGULAR TOL ± 0.5° DRAFT WHERE APPLICABLE MUST REMAIN WITHIN DIMENSIONS | THIS DRAWING CONTAINS INFORMATION THAT IS PROPRIETARY TO MOLEX ELECTRONIC TECHNOLOGIES, LLC AND SHOULD NOT BE USED WITHOUT WRITTEN PERMISSION. | | CURRENT REV DESC: EC NO: 611291 DRWN: GSHARMA 2019/01/04 CHK'D: JKACHLIC 2019/07/18 APPR: JKACHLIC 2019/07/18 INITIAL REVISION: DRWN: KLANG 2011/09/29 APPR: MBANAKIS 2013/08/01 | | | | |
| | IPASS PLUS HD - 12G EXTERNAL | | PRODUCT CUSTOMER DRAWING | | | | |
| DOCUMENT NUMBER: SD-76866-1000 MATERIAL NUMBER: SEE CHART | DOC TYPE: PSD CUSTOMER: GENERAL MARKET | DOC PART: 001 SHEET NUMBER: 4 OF 12 | REVISION: B2 | | | | |

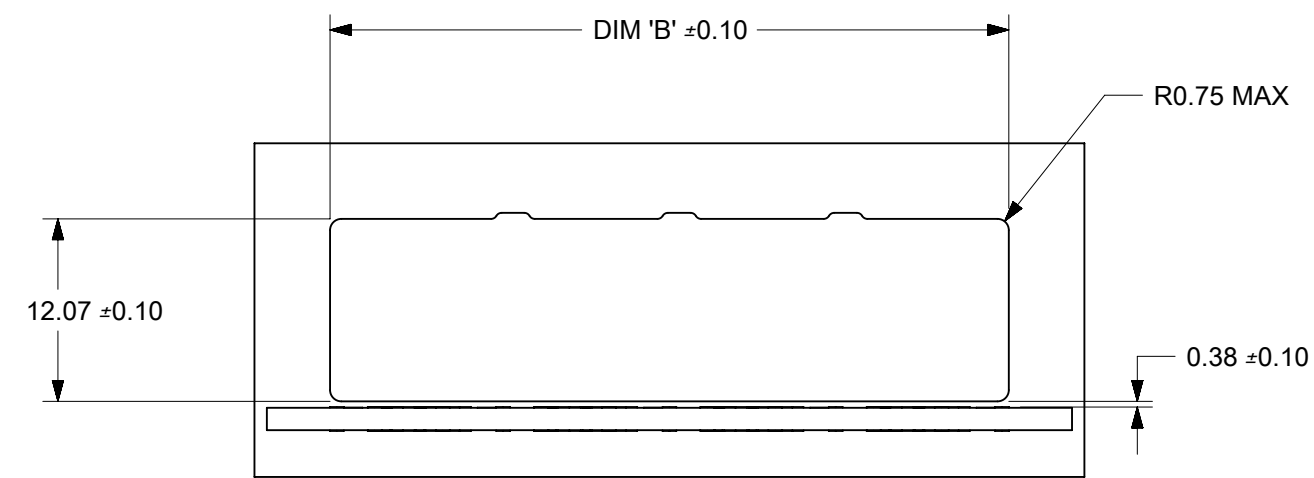
MOTHERBOARD APPLICATION



ASSEMBLED VIEW



PCB TO PANEL VIEW



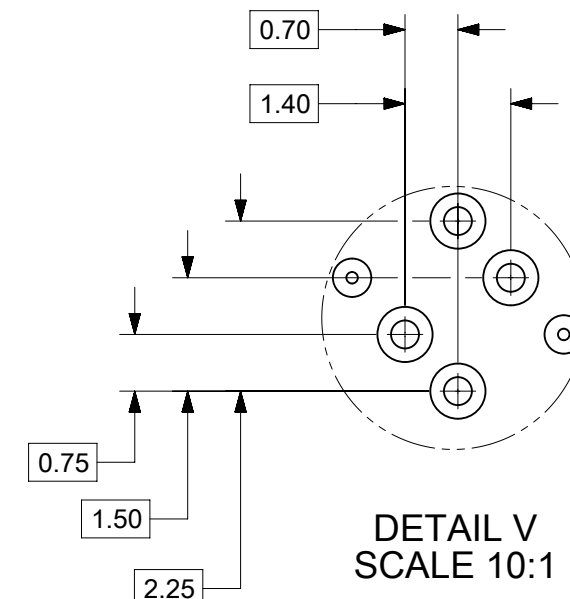
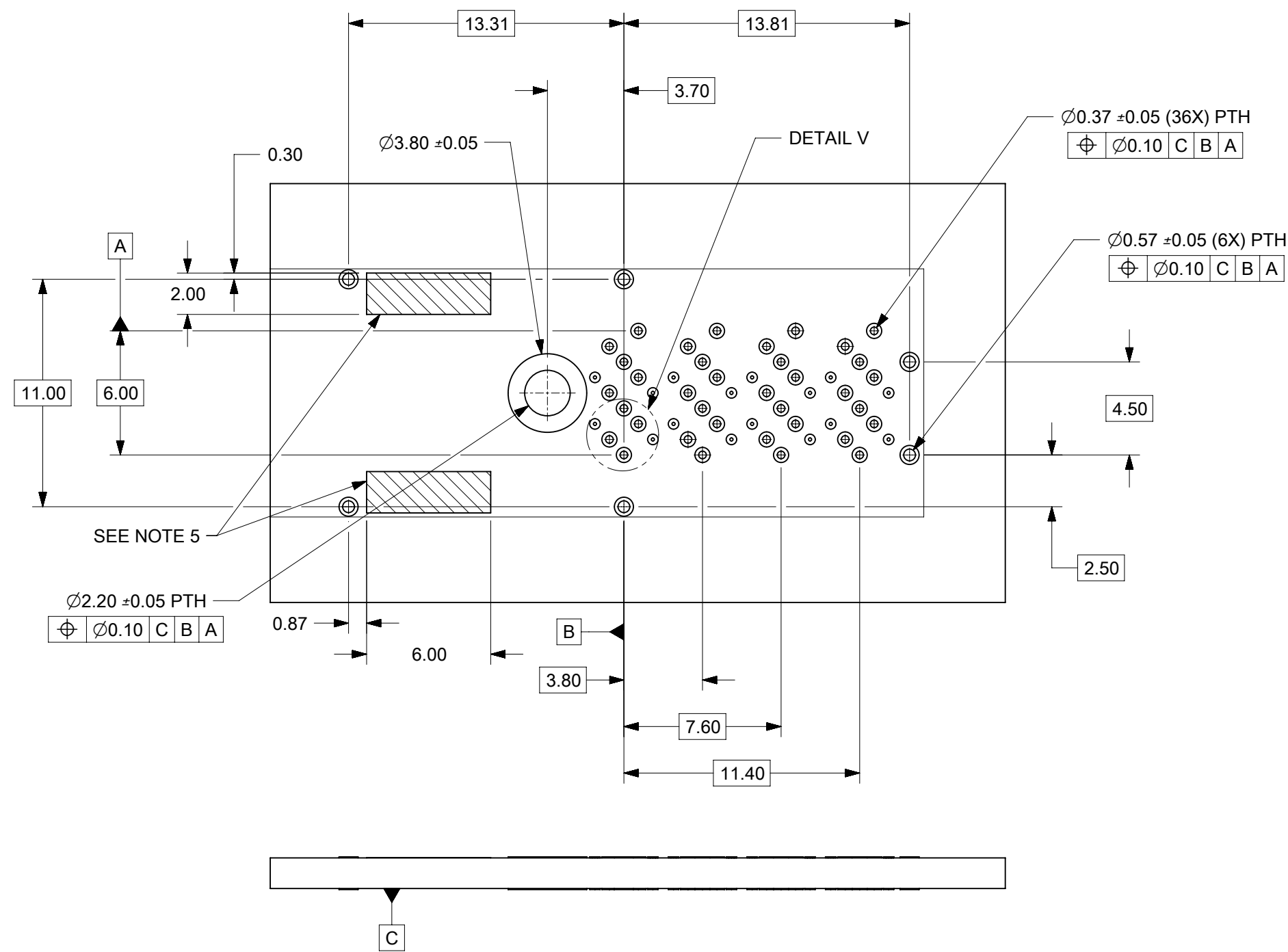
PANEL CUT OUT

| CONFIGURATION | DIM 'A' (MIN) | DIM 'B' (±0.10) |
|---------------|---------------|-----------------|
| 1 X 1 | 12.00 | 11.90 |
| 1 X 2 | 23.00 | 22.90 |
| 1 X 4 | 45.00 | 44.90 |

NOTES:
1. CONNECTOR KEEP OUT ZONE: PCB COMPONENTS ARE NOT ALLOWED IN THIS AREA.

| SYMBOLS | THIS DRAWING CONTAINS INFORMATION THAT IS PROPRIETARY TO MOLEX ELECTRONIC TECHNOLOGIES, LLC AND SHOULD NOT BE USED WITHOUT WRITTEN PERMISSION | | CURRENT REV DESC: | | |
|---------|---|---------|-------------------|----------------------------|---|
| | DIMENSION UNITS | SCALE | | | |
| = 0 | MM | 2:1 | | | IPASS PLUS HD - 12G EXTERNAL |
| = 0 | GENERAL TOLERANCES (UNLESS SPECIFIED) | | | | |
| = 0 | | MM | INCH | EC NO: 611291 | PRODUCT CUSTOMER DRAWING |
| = 0 | 4 PLACES | ± | ± | DRWN: GSHARMA 2019/01/04 | |
| = 0 | 3 PLACES | ± | ± | CHK'D: JKACHLIC 2019/07/18 | DOCUMENT NUMBER: SD-76866-1000 DOC TYPE: PSD DOC PART: 001 REVISION: B2 |
| = 0 | 2 PLACES | ± 0.13 | ± | APPR: JKACHLIC 2019/07/18 | |
| = 0 | 1 PLACE | ± 0.25 | ± | INITIAL REVISION: | MATERIAL NUMBER: SEE CHART CUSTOMER: GENERAL MARKET SHEET NUMBER: 6 OF 12 |
| = 0 | 0 PLACES | ± | ± | DRWN: KLANG 2011/09/29 | |
| = 0 | ANGULAR TOL | ± 0.5 ° | | APPR: MBANAKIS 2013/08/01 | |
| = 0 | DRAFT WHERE APPLICABLE MUST REMAIN WITHIN DIMENSIONS | | | THIRD ANGLE PROJECTION | |
| = 0 | | | | DRAWING: C-SIZE | |
| | | | | SERIES: 76866 | |

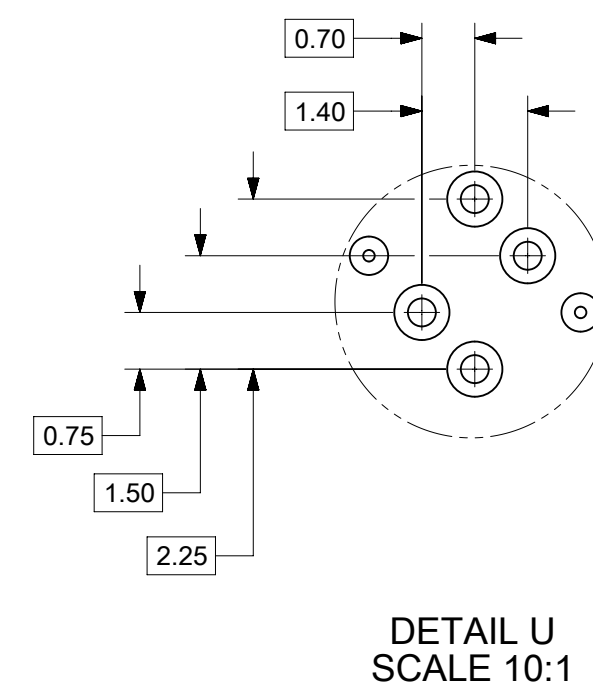
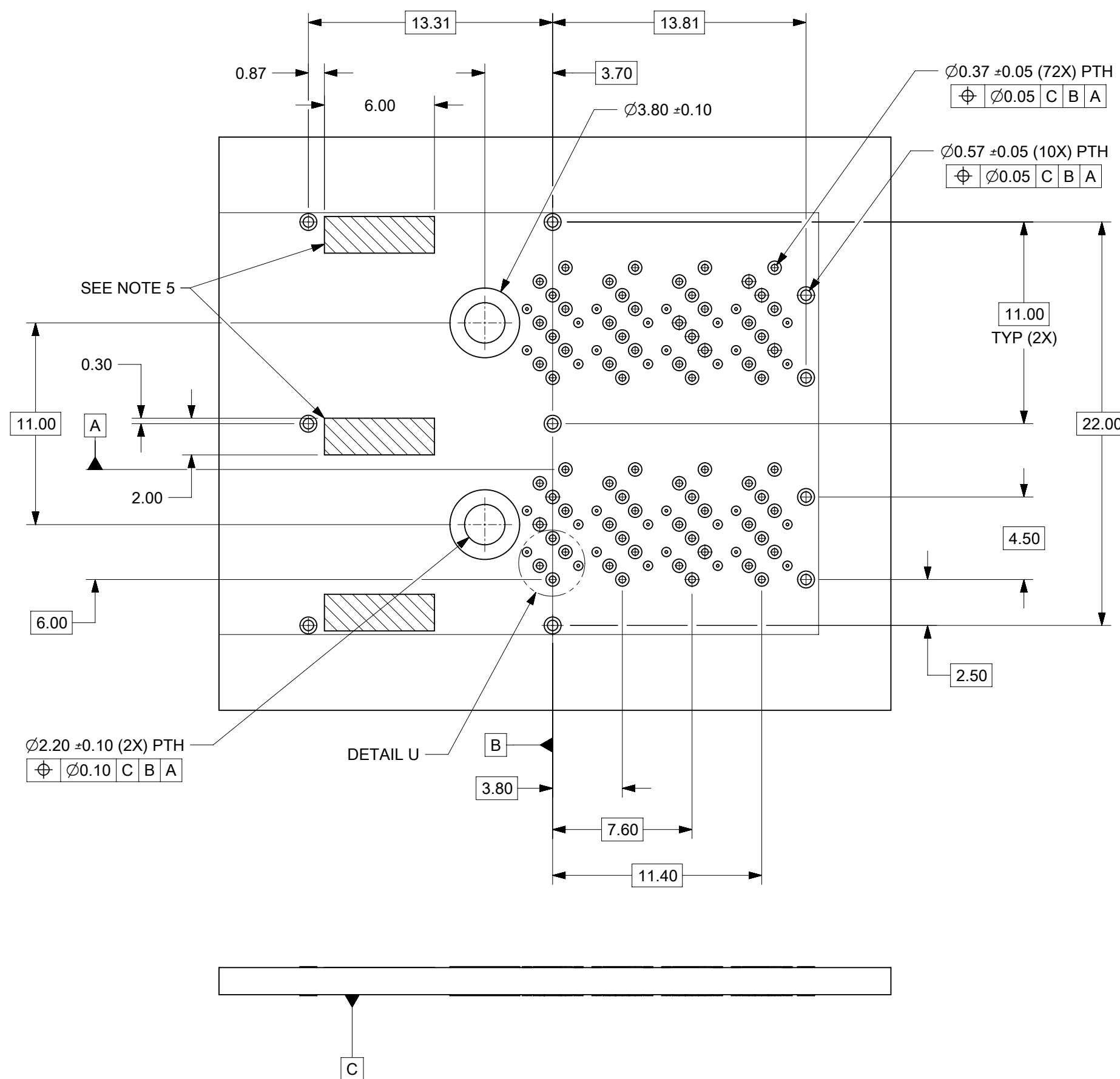
1X1 RECOMMENDED FOOTPRINT



- NOTES:
1. RECOMMENDED DRILL & ANNULAR RING SIZE FOR 0.37 ϕ FINISHED PTH - REFER TO APPLICATION SPECIFICATION AS-76866-001
 2. MINIMUM RECOMMENDED SPACING: 14.00MM
 3. MINIMUM PCB THICKNESS: 1.57MM
 4. RECOMMENDED DRILL & ANNULAR RING SIZE FOR 0.57 ϕ FINISHED PTH - REFER TO APPLICATION SPECIFICATION AS-76866-001
 5. CAGE KEEP OUT ZONE: TRACES AND VIAS ARE NOT ALLOWED ON SURFACE OF PCB IN THESE AREAS.

| SYMBOLS | | THIS DRAWING CONTAINS INFORMATION THAT IS PROPRIETARY TO MOLEX ELECTRONIC TECHNOLOGIES, LLC AND SHOULD NOT BE USED WITHOUT WRITTEN PERMISSION | | CURRENT REV DESC: | | | | | | |
|----------|-----|---|-------|-------------------|--|--|------------|------------------------------|----------------|--------------|
| | | DIMENSION UNITS | SCALE | | | | | DOCUMENT NUMBER | DOC TYPE | DOC PART |
| ∇ | = 0 | MM | 4:1 | | | EC NO: 611291 | | | | |
| ∇ | = 0 | GENERAL TOLERANCES (UNLESS SPECIFIED) | | | | DRWN: GSHARMA | 2019/01/04 | IPASS PLUS HD - 12G EXTERNAL | | |
| ∇ | = 0 | | | | | CHK'D: JKACHLIC | 2019/07/18 | PRODUCT CUSTOMER DRAWING | | |
| ∇ | = 0 | | | | | APPR: JKACHLIC | 2019/07/18 | | | |
| ∇ | = 0 | | | | | INITIAL REVISION: | | | | |
| ∇ | = 0 | | | | | DRWN: KLANG | 2011/09/29 | SD-76866-1000 | | |
| ∇ | = 0 | | | | | APPR: MBANAKIS | 2013/08/01 | PSD | 001 | B2 |
| ∇ | = 0 | | | | | DRAFT WHERE APPLICABLE MUST REMAIN WITHIN DIMENSIONS | | MATERIAL NUMBER | CUSTOMER | SHEET NUMBER |
| ∇ | = 0 | | | | | THIRD ANGLE PROJECTION | DRAWING | SEE CHART | GENERAL MARKET | 7 OF 12 |
| ∇ | = 0 | | | | | C-SIZE | 76866 | | | |

1X2 RECOMMENDED FOOTPRINT

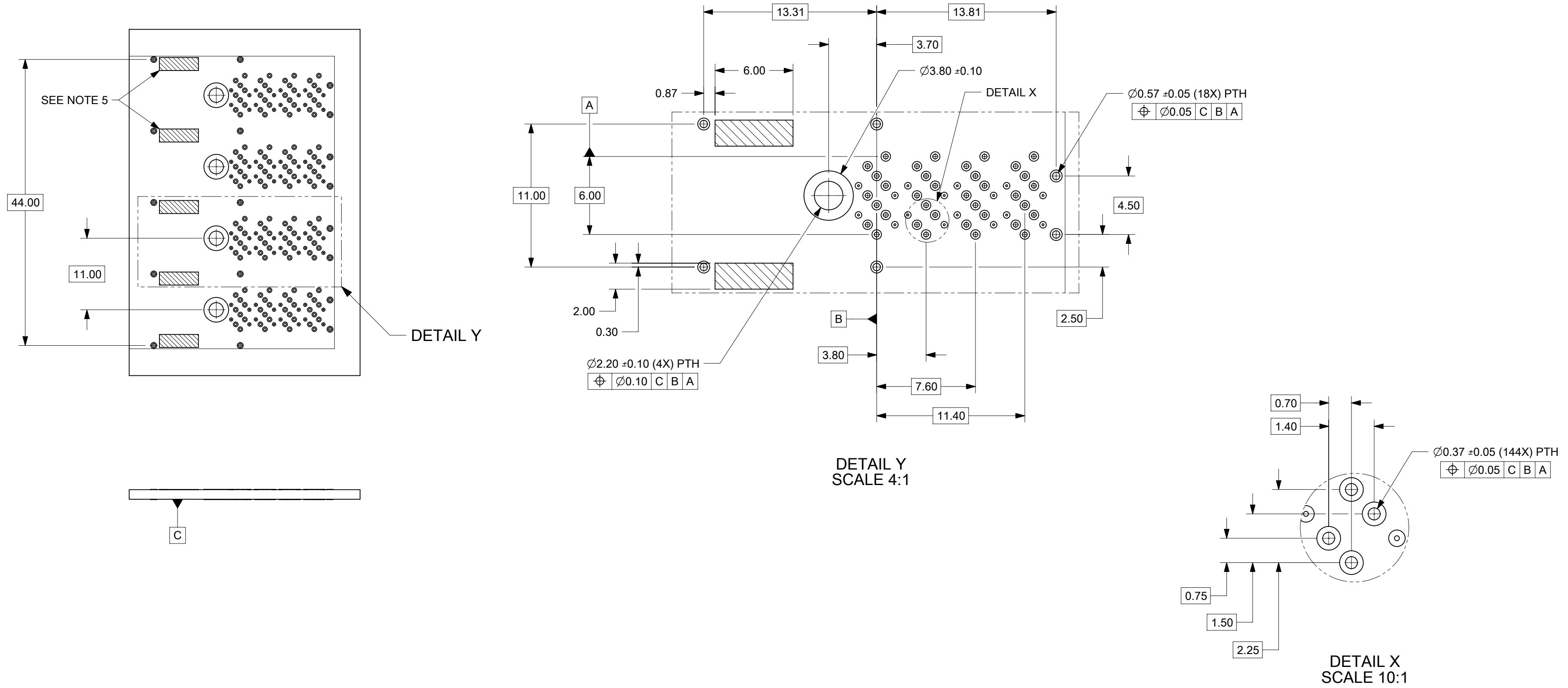


- NOTES:
1. RECOMMENDED DRILL & ANNULAR RING SIZE FOR 0.37Ø FINISHED PTH - REFER TO APPLICATION SPECIFICATION AS-76866-001
 2. MINIMUM RECOMMENDED SPACING: 25.00MM
 3. MINIMUM PCB THICKNESS: 1.57MM
 4. RECOMMENDED DRILL & ANNULAR RING SIZE FOR 0.57Ø FINISHED PTH - REFER TO APPLICATION SPECIFICATION AS-76866-001
 5. CAGE KEEP OUT ZONE: TRACES AND VIAS ARE NOT ALLOWED ON SURFACE OF PCB IN THESE AREAS.

| THIS DRAWING CONTAINS INFORMATION THAT IS PROPRIETARY TO MOLEX ELECTRONIC TECHNOLOGIES, LLC AND SHOULD NOT BE USED WITHOUT WRITTEN PERMISSION | | | | | | | | | |
|---|---------------------------------------|-----------------|------|--|--|-------------------|--|--|--|
| SYMBOLS | | DIMENSION UNITS | | SCALE | | CURRENT REV DESC: | | | |
| ∇ = 0 | MM | 4:1 | | EC NO: 611291 DRWN: GSHARMA 2019/01/04 CHK'D: JKACHLIC 2019/07/18 APPR: JKACHLIC 2019/07/18 INITIAL REVISION: DRWN: KLANG 2011/09/29 APPR: MBANAKIS 2013/08/01 | | | | | |
| ∇ = 0 | GENERAL TOLERANCES (UNLESS SPECIFIED) | | | | | | | | |
| ∇ = 0 | | MM | INCH | | | | | | |
| ∇ = 0 | 4 PLACES | ± | ± | | | | | | |
| ∇ = 0 | 3 PLACES | ± | ± | | | | | | |
| ∇ = 0 | 2 PLACES | ± 0.13 | ± | PRODUCT CUSTOMER DRAWING DOCUMENT NUMBER: SD-76866-1000 DOC TYPE: PSD DOC PART: 001 REVISION: B2 | | | | | |
| ∇ = 0 | 1 PLACE | ± 0.25 | ± | MATERIAL NUMBER: SEE CHART CUSTOMER: GENERAL MARKET SHEET NUMBER: 8 OF 12 | | | | | |
| ∇ = 0 | 0 PLACES | ± | ± | DRAFT WHERE APPLICABLE MUST REMAIN WITHIN DIMENSIONS THIRD ANGLE PROJECTION DRAWING: C-SIZE SERIES: 76866 | | | | | |
| ∇ = 0 | ANGULAR TOL | ± 0.5 ° | | | | | | | |

| | | | | |
|-----------------|----|--------------|------------|----------|
| DOCUMENT STATUS | P1 | RELEASE DATE | 2019/07/18 | 04:55:14 |
|-----------------|----|--------------|------------|----------|

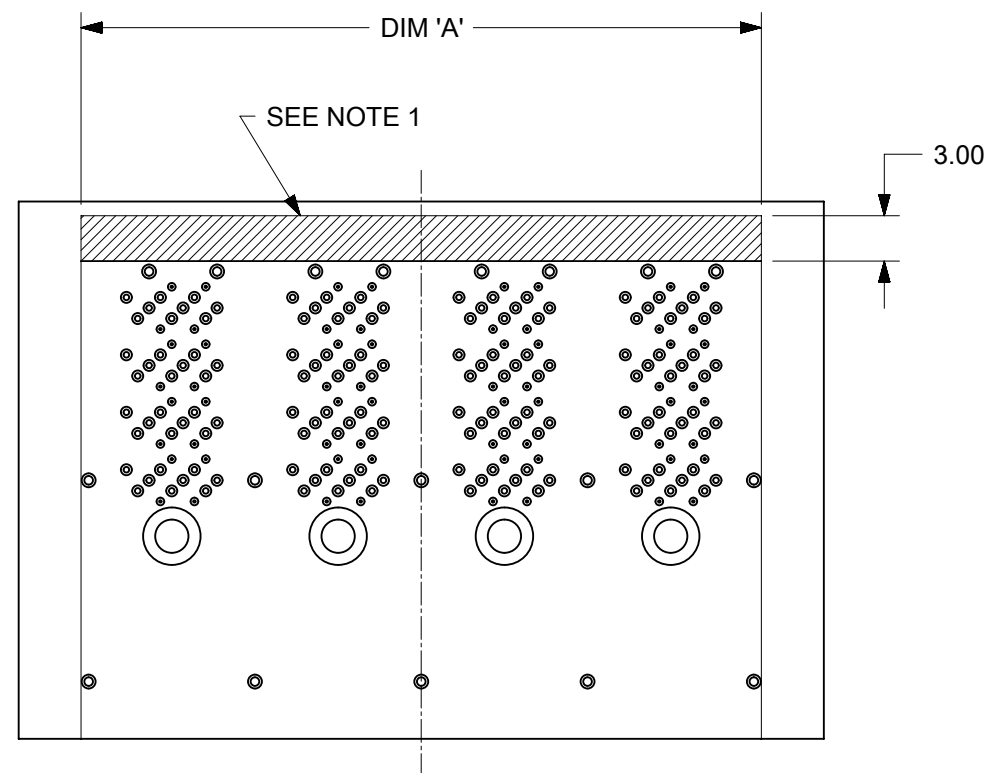
1X4 RECOMMENDED FOOTPRINT



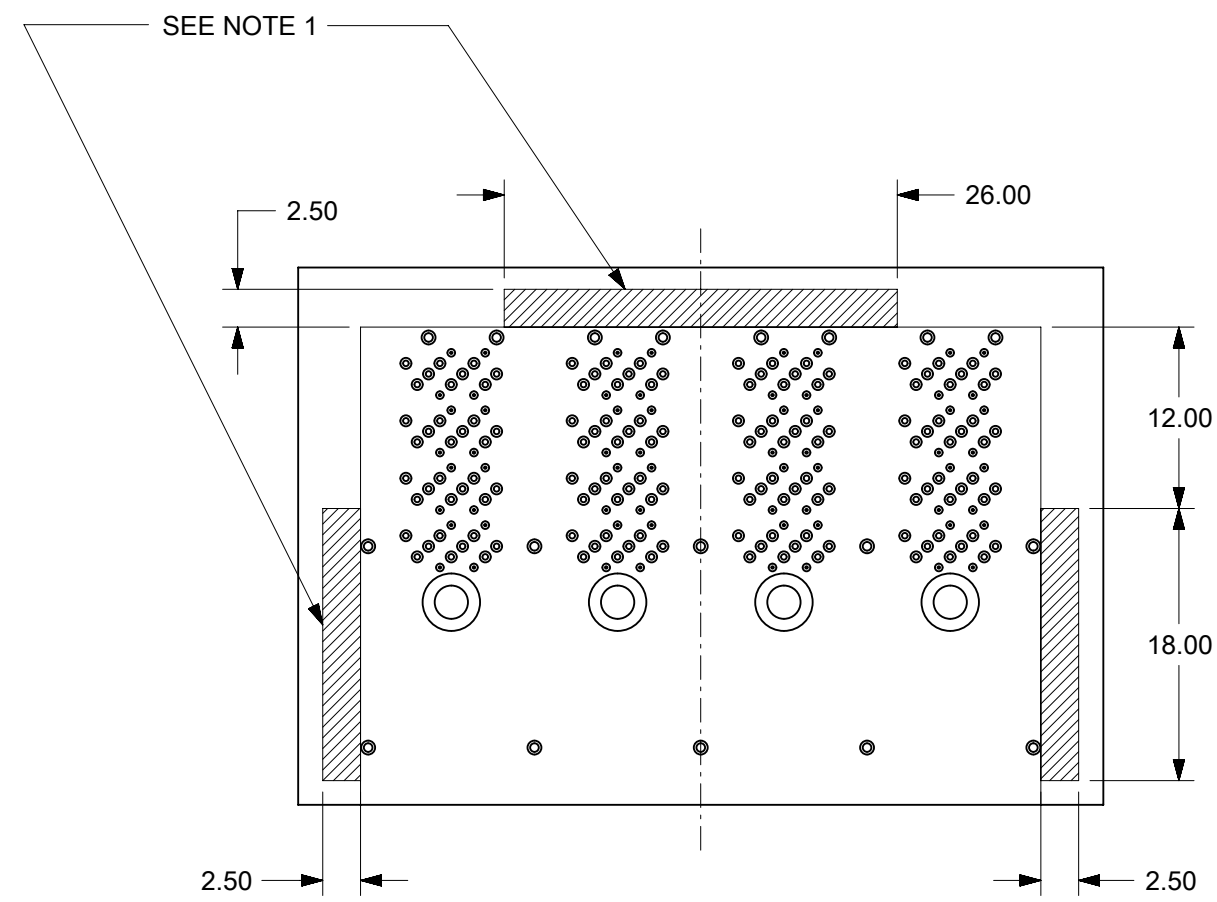
- NOTES:
1. RECOMMENDED DRILL & ANNULAR RING SIZE FOR 0.37 \varnothing FINISHED PTH - REFER TO APPLICATION SPECIFICATION AS-76866-001
 2. MINIMUM RECOMMENDED SPACING: 47.00MM
 3. MINIMUM PCB THICKNESS: 1.57MM
 4. RECOMMENDED DRILL & ANNULAR RING SIZE FOR 0.57 \varnothing FINISHED PTH - REFER TO APPLICATION SPECIFICATION AS-76866-001
 5. CAGE KEEP OUT ZONE: TRACES AND VIAS ARE NOT ALLOWED ON SURFACE OF PCB IN THESE AREAS.

| SYMBOLS | | THIS DRAWING CONTAINS INFORMATION THAT IS PROPRIETARY TO MOLEX ELECTRONIC TECHNOLOGIES, LLC AND SHOULD NOT BE USED WITHOUT WRITTEN PERMISSION | | CURRENT REV DESC: | |
|-----------------|--|---|------------------------|----------------------------|----------|
| DIMENSION UNITS | | SCALE | | | |
| $\nabla = 0$ | MM | 2:1 | | | |
| $\nabla = 0$ | GENERAL TOLERANCES (UNLESS SPECIFIED) | | | | |
| $\nabla = 0$ | | MM | INCH | | |
| $\nabla = 0$ | 4 PLACES | \pm | \pm | EC NO: 611291 | |
| $\nabla = 0$ | 3 PLACES | \pm | \pm | DRWN: GSHARMA 2019/01/04 | |
| $\nabla = 0$ | 2 PLACES | ± 0.13 | \pm | CHK'D: JKACHLIC 2019/07/18 | |
| $\nabla = 0$ | 1 PLACE | ± 0.25 | \pm | APPR: JKACHLIC 2019/07/18 | |
| $\nabla = 0$ | 0 PLACES | \pm | \pm | INITIAL REVISION: | |
| $\nabla = 0$ | ANGULAR TOL | $\pm 0.5^\circ$ | | DRWN: KLANG 2011/09/29 | |
| $\nabla = 0$ | DRAFT WHERE APPLICABLE MUST REMAIN WITHIN DIMENSIONS | | THIRD ANGLE PROJECTION | DRAWING | SERIES |
| $\nabla = 0$ | | | | C-SIZE | 76866 |
| DOCUMENT STATUS | | P1 | RELEASE DATE | 2019/07/18 | 04:55:14 |
| DOCUMENT NUMBER | | CUSTOMER | | DOC TYPE | DOC PART |
| SD-76866-1000 | | GENERAL MARKET | | PSD | 001 |
| MATERIAL NUMBER | | SHEET NUMBER | | REVISION | |
| SEE CHART | | 9 OF 12 | | B2 | |

RECOMMENDED TOOLING KEEP OUT AREAS



INSERTION TOOL KEEP OUT AREA



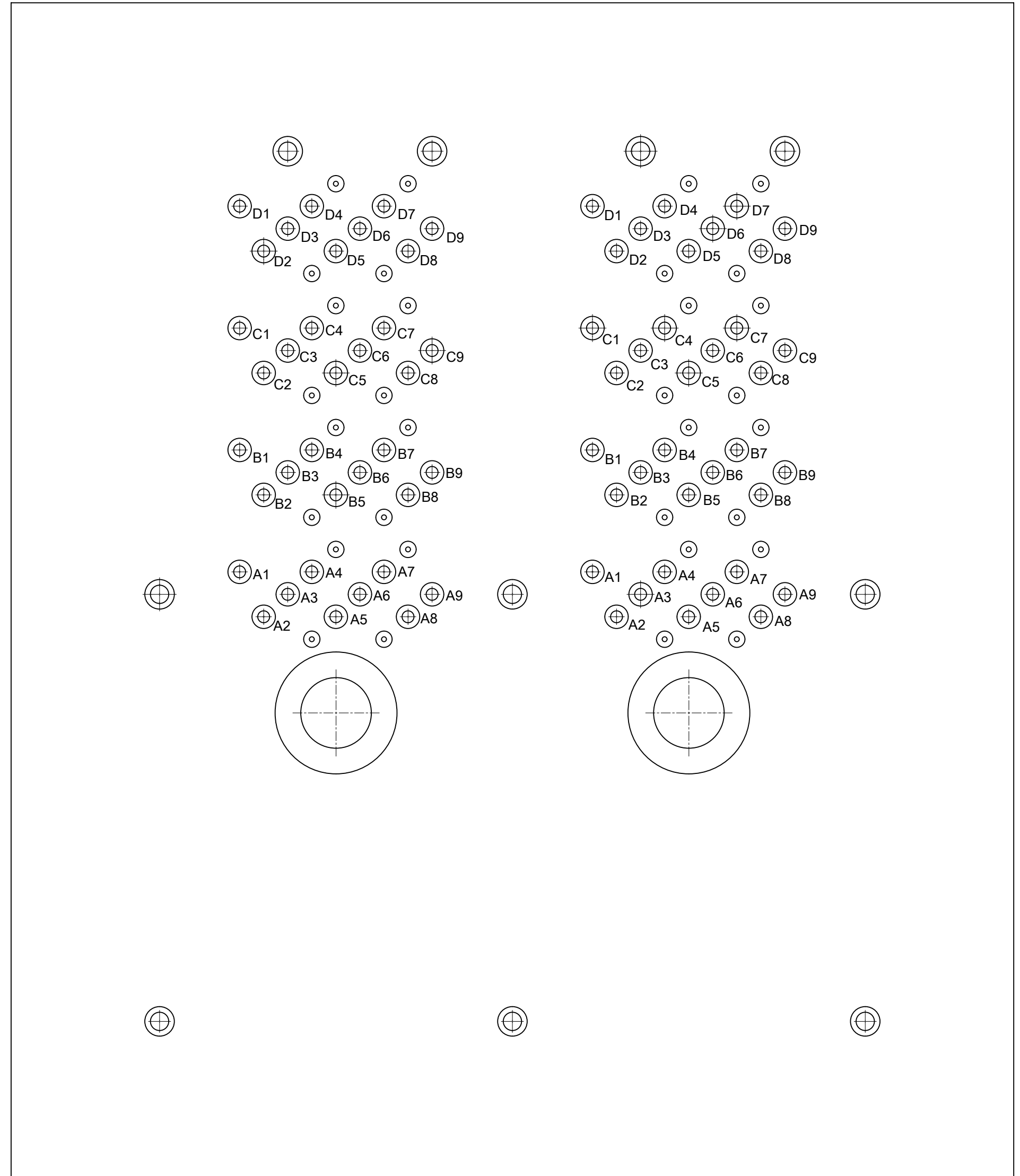
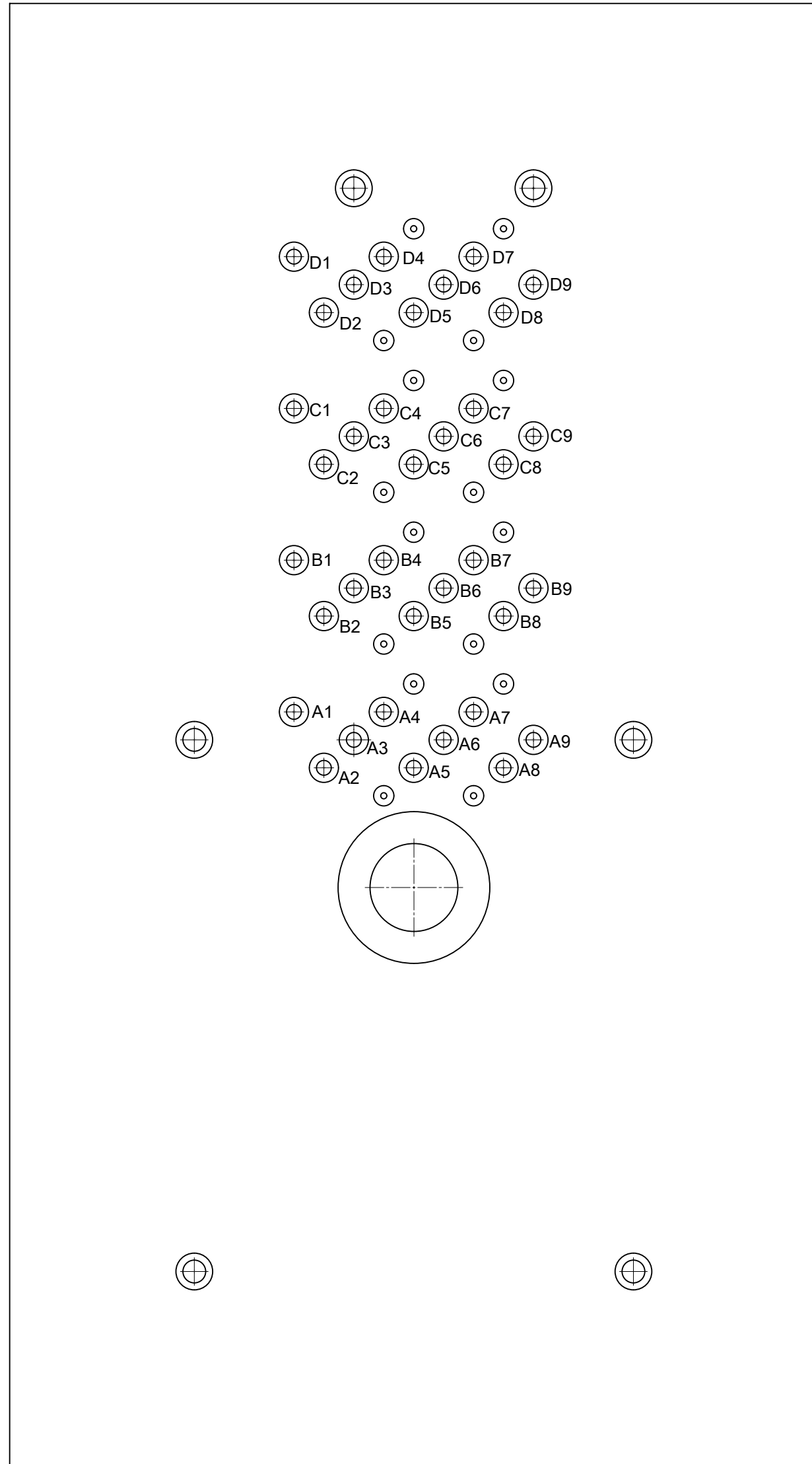
EXTRACTION TOOL KEEP OUT AREA

| CONFIGURATION | DIM 'A' (MIN) |
|---------------|---------------|
| 1 X 1 | 12.00 |
| 1 X 2 | 23.00 |
| 1 X 4 | 45.00 |

NOTES:
1. NO COMPONENTS ALLOWED IN THESE AREAS

| SYMBOLS | | THIS DRAWING CONTAINS INFORMATION THAT IS PROPRIETARY TO MOLEX ELECTRONIC TECHNOLOGIES, LLC AND SHOULD NOT BE USED WITHOUT WRITTEN PERMISSION | | CURRENT REV DESC: | | molex | |
|-----------------|--|---|----------------------------|--|--|---------------------------------------|--|
| DIMENSION UNITS | | SCALE | | EC NO: 611291 | | | |
| $\nabla = 0$ | MM | 2:1 | | DRWN: GSHARMA 2019/01/04 | | IPASS PLUS HD - 12G EXTERNAL | |
| $\nabla = 0$ | GENERAL TOLERANCES (UNLESS SPECIFIED) | | CHK'D: JKACHLIC 2019/07/18 | | | | |
| $\nabla = 0$ | | MM | INCH | APPR: JKACHLIC 2019/07/18 | | PRODUCT CUSTOMER DRAWING | |
| $\nabla = 0$ | 4 PLACES | ± | ± | INITIAL REVISION: | | DOCUMENT NUMBER | |
| $\nabla = 0$ | 3 PLACES | ± | ± | DRWN: KLANG 2011/09/29 | | SD-76866-1000 | |
| $\nabla = 0$ | 2 PLACES | ± 0.13 | ± | APPR: MBANAKIS 2013/08/01 | | DOC TYPE DOC PART REVISION | |
| $\nabla = 0$ | 1 PLACE | ± 0.25 | ± | DRAFT WHERE APPLICABLE MUST REMAIN WITHIN DIMENSIONS | | PSD 001 B2 | |
| $\nabla = 0$ | 0 PLACES | ± | ± | THIRD ANGLE PROJECTION | | MATERIAL NUMBER CUSTOMER SHEET NUMBER | |
| $\nabla = 0$ | ANGULAR TOL | ± 0.5 ° | | DRAWING SERIES | | SEE CHART GENERAL MARKET 10 OF 12 | |
| $\nabla = 0$ | | | | C-SIZE 76866 | | | |

1X1 & 1X2 FOOTPRINT CIRCUIT IDENTIFICATION



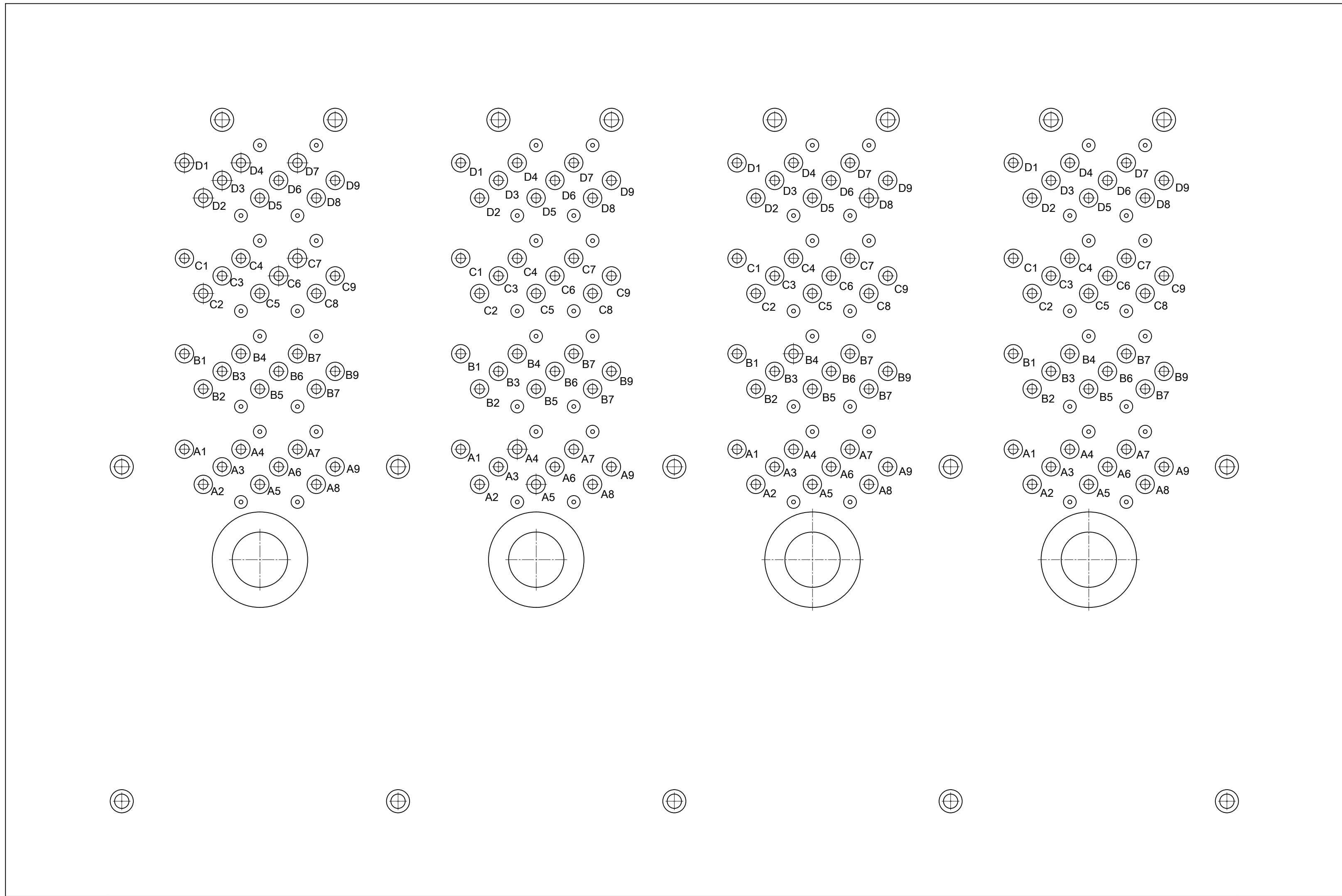
| | | | | |
|---------|---|---------|------------------------|--|
| SYMBOLS | THIS DRAWING CONTAINS INFORMATION THAT IS PROPRIETARY TO MOLEX ELECTRONIC TECHNOLOGIES, LLC AND SHOULD NOT BE USED WITHOUT WRITTEN PERMISSION | | | |
| | DIMENSION UNITS | | SCALE | |
| | MM | 8:1 | | CURRENT REV DESC: |
| | GENERAL TOLERANCES (UNLESS SPECIFIED) | | | |
| | | MM | INCH | EC NO: 611291 DRWN: GSHARMA 2019/01/04 CHK'D: JKACHLIC 2019/07/18 APPR: JKACHLIC 2019/07/18 |
| | 4 PLACES | ± | ± | |
| | 3 PLACES | ± | ± | INITIAL REVISION: DRWN: KLANG 2011/09/29 APPR: MBANAKIS 2013/08/01 |
| | 2 PLACES | ± 0.13 | ± | |
| | 1 PLACE | ± 0.25 | ± | DOCUMENT NUMBER: SD-76866-1000 DOC TYPE: PSD DOC PART: 001 REVISION: B2 |
| | 0 PLACES | ± | ± | |
| | ANGULAR TOL | ± 0.5 ° | | MATERIAL NUMBER: SEE CHART CUSTOMER: GENERAL MARKET SHEET NUMBER: 11 OF 12 |
| | DRAFT WHERE APPLICABLE MUST REMAIN WITHIN DIMENSIONS | | THIRD ANGLE PROJECTION | |
| | | | | DRAWING: C-SIZE SERIES: 76866 |

molex

IPASS PLUS HD - 12G
EXTERNAL

PRODUCT CUSTOMER DRAWING

1X4 FOOTPRINT CIRCUIT IDENTIFICATION



| THIS DRAWING CONTAINS INFORMATION THAT IS PROPRIETARY TO MOLEX ELECTRONIC TECHNOLOGIES, LLC AND SHOULD NOT BE USED WITHOUT WRITTEN PERMISSION | | | | | | | | | | | | |
|---|--|--|----|------------------------|---|-------------------|-----------------|-----------------|----------------|-----------------|---------------|------------|
| SYMBOLS | | DIMENSION UNITS | | SCALE | | CURRENT REV DESC: | | | | | | |
| $\nabla = 0$ | | MM | | 8:1 | molex IPASS PLUS HD - 12G EXTERNAL PRODUCT CUSTOMER DRAWING | | | | | | | |
| $\nabla = 0$ | | GENERAL TOLERANCES (UNLESS SPECIFIED) | | | | | | | | | | |
| $\nabla = 0$ | | | MM | INCH | | | | | | EC NO: 611291 | DRWN: GSHARMA | 2019/01/04 |
| $\nabla = 0$ | | 4 PLACES | ± | ± | | | | | | CHK'D: JKACHLIC | 2019/07/18 | |
| $\nabla = 0$ | | 3 PLACES | ± | ± | APPR: JKACHLIC | 2019/07/18 | DOCUMENT NUMBER | | | | | |
| $\nabla = 0$ | | 2 PLACES | ± | 0.13 | INITIAL REVISION: | | SD-76866-1000 | | | | | |
| $\nabla = 0$ | | 1 PLACE | ± | 0.25 | DRWN: KLANG | 2011/09/29 | DOC TYPE | DOC PART | REVISION | | | |
| $\nabla = 0$ | | 0 PLACES | ± | ± | APPR: MBANAKIS | 2013/08/01 | PSD | 001 | B2 | | | |
| $\nabla = 0$ | | ANGULAR TOL ± 0.5 ° | | THIRD ANGLE PROJECTION | | DRAWING | SERIES | MATERIAL NUMBER | CUSTOMER | | | |
| $\nabla = 0$ | | DRAFT WHERE APPLICABLE MUST REMAIN WITHIN DIMENSIONS | | | | C-SIZE | 76866 | SEE CHART | GENERAL MARKET | | | |
| $\nabla = 0$ | | | | | | | | SHEET NUMBER | 12 OF 12 | | | |