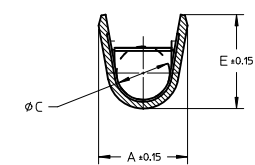
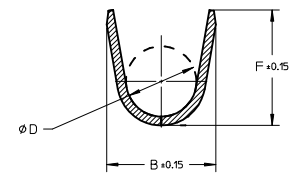


CONDUCTOR CRIMP



SECTION W-W

INSULATION CRIMP

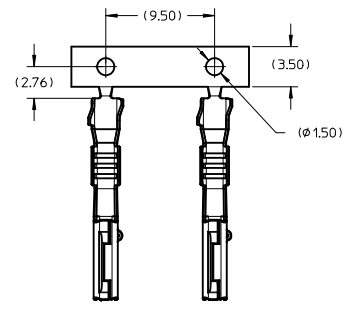
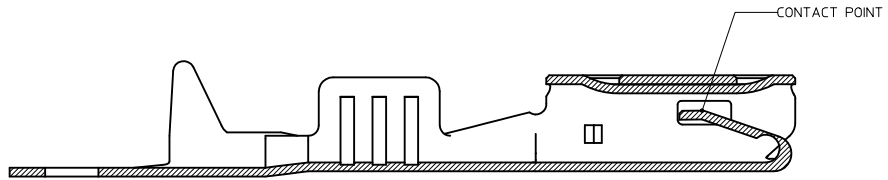


SECTION X-X

- NOTES:
1. MATERIAL: COPPER ALLOY (MIN. 1 MICRON HOT DIPPED Sn PREPLATED)
 2. PACKAGING: REFER TO PK-36783-003.
 3. APPLICATION SPECIFICATION: REFER TO AS-36783-001.
 4. PRODUCT SPECIFICATION: REFER TO PS-36783-001.
 5. USE WITH 367830002

TABLE A

MOLEX P/N	GRIP CODE	METRIC (mm) ² WIRE SIZE	DIM A	DIM B	DIM ØC	DIM ØD	DIM E	DIM F
367830003	M	0.75-1.00	2.51	3.07	1.50	1.98	2.64	3.25
367830004	S	0.35-0.50	1.91	2.47	1.00	1.54	1.94	2.60



SECTION Y-Y

ENTER DESCRIPTION EC NO: 12012-0048 DRAWNSY: 2011/07/29 CHKD: APPR:KPRASAD 2011/07/29 REV:	QUALITY SYMBOLS ∇=0 ∇=0 ∇=0	GENERAL TOLERANCES (UNLESS SPECIFIED) <table border="1"> <tr> <th></th> <th>mm</th> <th>INCH</th> </tr> <tr> <td>4 PLACES</td> <td>± ---</td> <td>± ---</td> </tr> <tr> <td>3 PLACES</td> <td>± ---</td> <td>± ---</td> </tr> <tr> <td>2 PLACES</td> <td>± ---</td> <td>± ---</td> </tr> <tr> <td>1 PLACE</td> <td>± ---</td> <td>± ---</td> </tr> </table> ANGULAR ±1/2° DRAFT WHERE APPLICABLE MUST REMAIN WITHIN DIMENSIONS		mm	INCH	4 PLACES	± ---	± ---	3 PLACES	± ---	± ---	2 PLACES	± ---	± ---	1 PLACE	± ---	± ---	DIMENSION STYLE MM ONLY DRAWN BY: NSV DATE: 2011/06/07 CHECKED BY: DATE: APPROVED BY: KPRASAD DATE: 2011/06/24 MATERIAL NO.: SEE TABLE A SIZE: A2	SCALE: 10:1 DESIGN UNITS: METRIC THIRD ANGLE PROJECTION TITLE: FEMALE TERMINAL 1.2 MM SEALED CONNECTOR SYSTEM MOLEX INCORPORATED DOCUMENT NO.: SD-36783-003 SHEET NO.: 1 OF 1
		mm	INCH																
	4 PLACES	± ---	± ---																
	3 PLACES	± ---	± ---																
2 PLACES	± ---	± ---																	
1 PLACE	± ---	± ---																	
THIS DRAWING CONTAINS INFORMATION THAT IS PROPRIETARY TO MOLEX INCORPORATED AND SHOULD NOT BE USED WITHOUT WRITTEN PERMISSION																			
DIMENSION STYLE: MM ONLY																			
SCALE: 10:1																			