

U_A-Headers
A-Headers.SchDoc



U_Analog
Analog.SchDoc



U_DDR3-RAM
DDR3-RAM.SchDoc



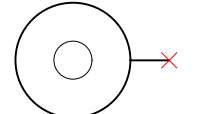
U_USB-PHY
USB-PHY.SchDoc



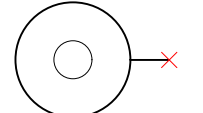
U_PowerSupply
PowerSupply.SchDoc



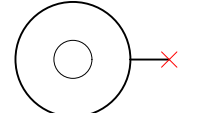
U_FTDI
FTDI.SchDoc



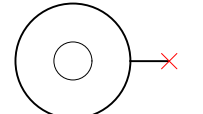
Mount.Hole 3.2mm (unplated)



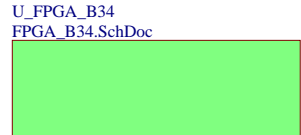
Mount.Hole 3.2mm (unplated)



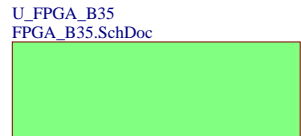
Mount.Hole 3.2mm (unplated)



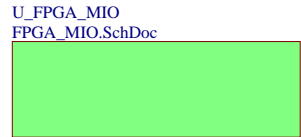
Mount.Hole 3.2mm (unplated)



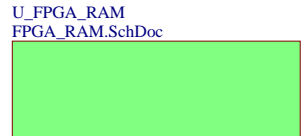
U_FPGA_B34
FPGA_B34.SchDoc



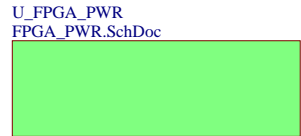
U_FPGA_B35
FPGA_B35.SchDoc



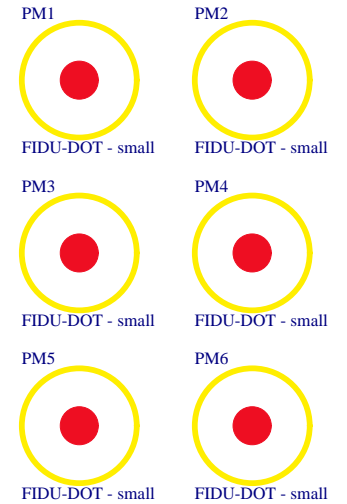
U_FPGA_MIO
FPGA_MIO.SchDoc



U_FPGA_RAM
FPGA_RAM.SchDoc



U_FPGA_PWR
FPGA_PWR.SchDoc



PM1

FIDU-DOT - small

PM2

FIDU-DOT - small

PM3

FIDU-DOT - small

PM4

FIDU-DOT - small

PM5

FIDU-DOT - small

PM6

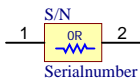
FIDU-DOT - small



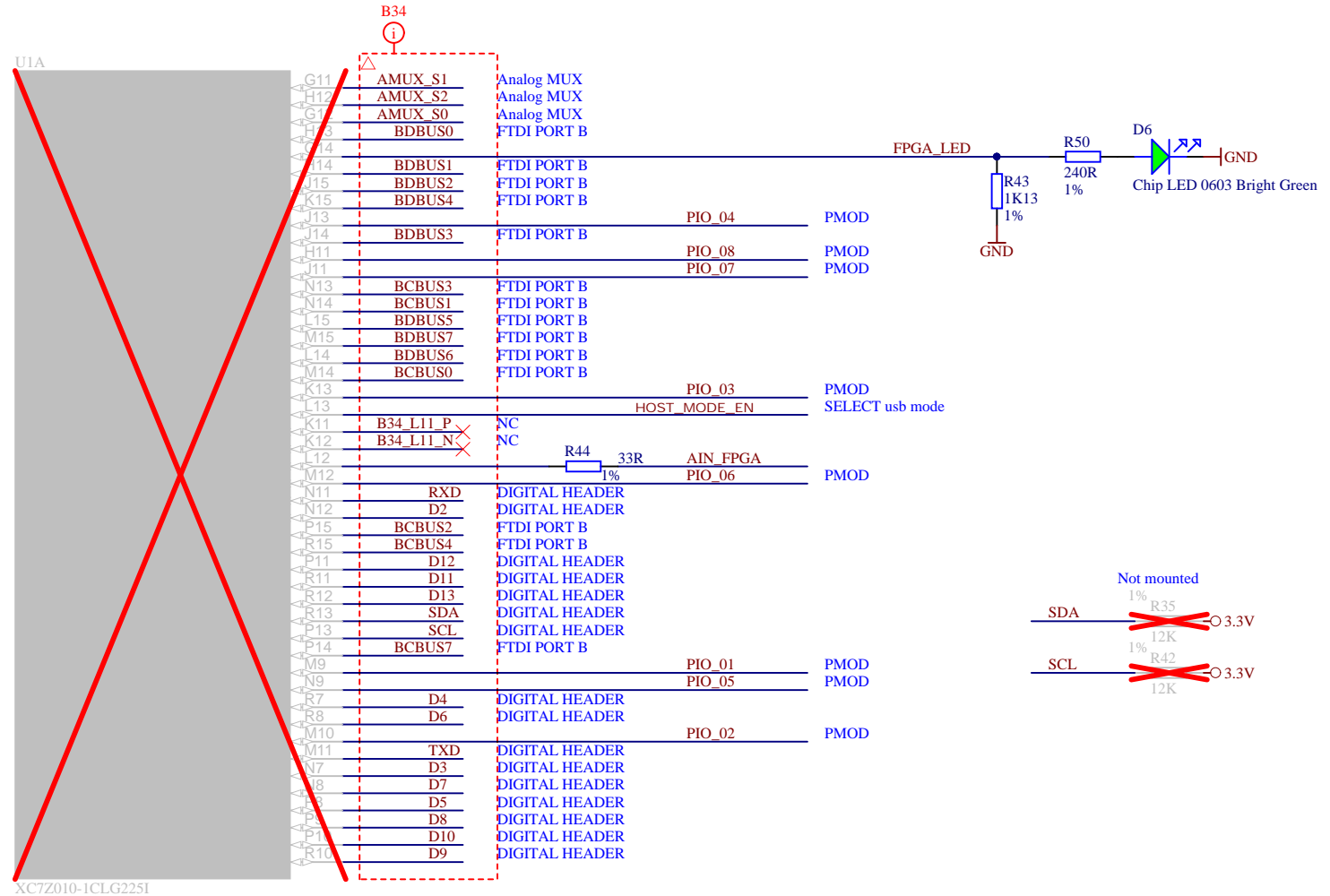
LOGO1

LOGO PRINT

Serial
Serial
Serialnumber 6,3 x 6.3mm



| | | |
|-------------------------|----------------------------------|-------------|
| Title: TE0723 | | |
| A4 | Number: TE0723 TE0723_C1 | Rev. 03 |
| Date: 2016-07-15 | Copyright: Trenz Electronic GmbH | Page1 of 13 |
| Filename: TE0723.SchDoc | | |



| | | | |
|--|---------------------------|----------------------------------|-------------|
| | Title: TE0723 - FPGA B34 | | |
| | A4 | Number: TE0723 TE0723_C1 | Rev. 03 |
| | Date: 2016-07-15 | Copyright: Trenz Electronic GmbH | Page2 of 13 |
| | Filename: FPGA_B34.SchDoc | | |

1

2

3

4

A

A

B

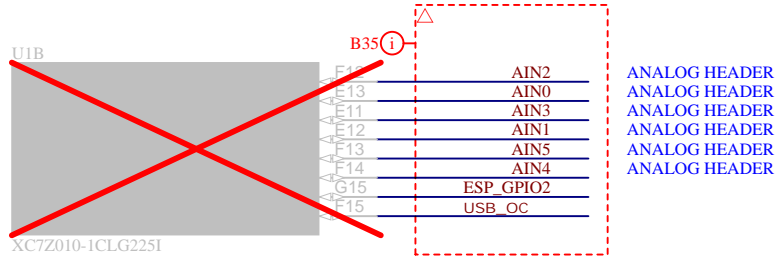
B


C

C

D

D



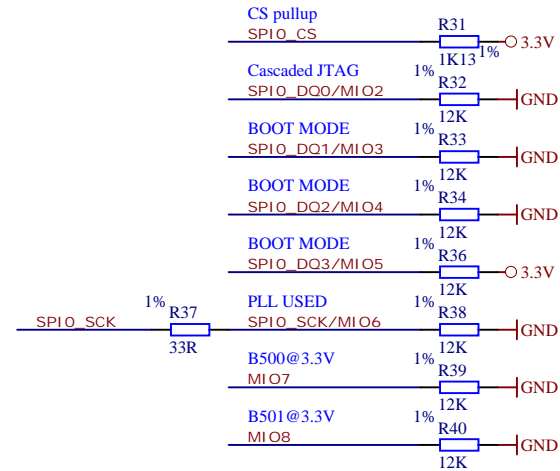
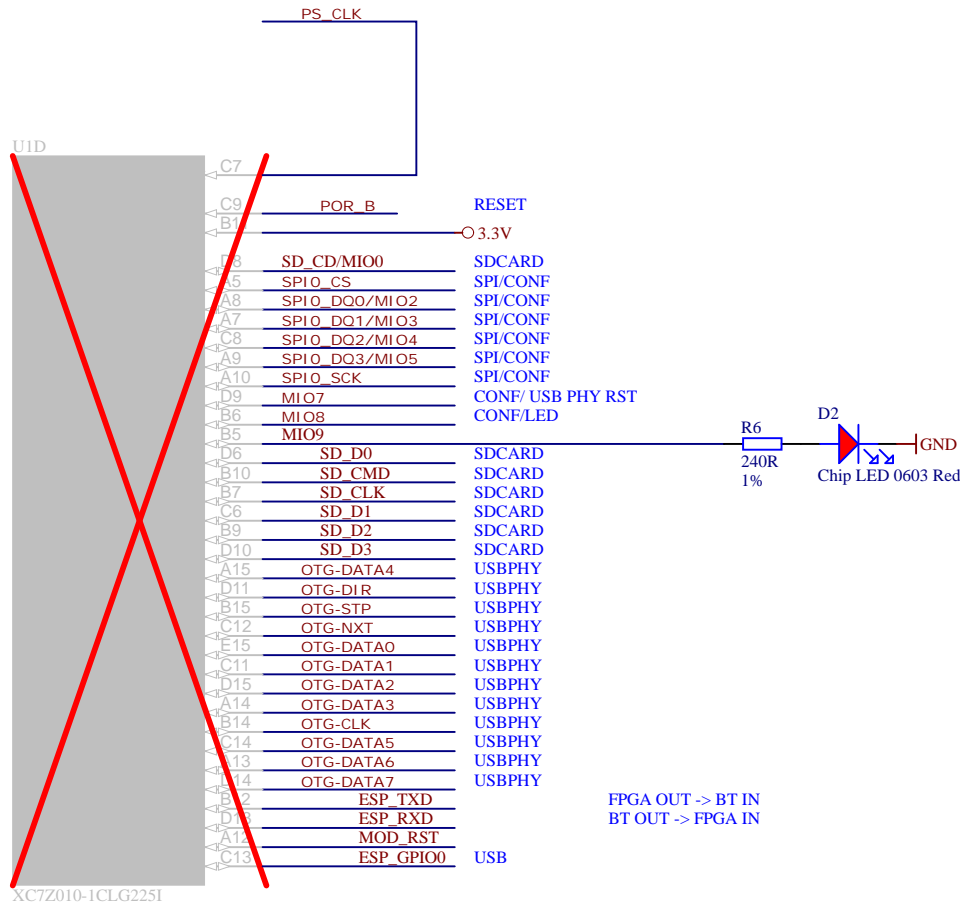
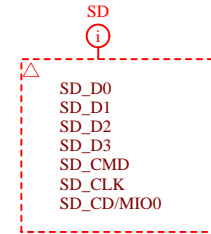
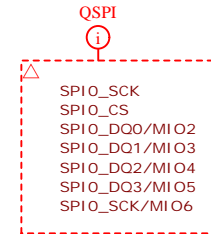
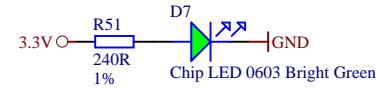
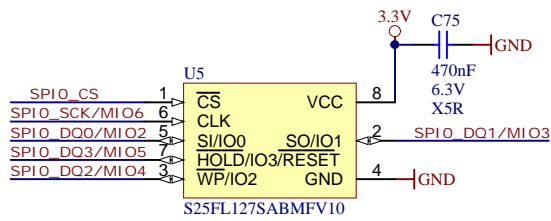
| | | | |
|---|----------------------------------|---|----------------------------|
|  | Title: TE0723 - FPGA B35 | | |
| | A4 | Number: TE0723 TE0723_C1 | Rev. 03 |
| | Date: 2016-07-15 | Copyright: Trenz Electronic GmbH | Page 3 of 13 |
| | Filename: FPGA_B35.SchDoc | | |


1

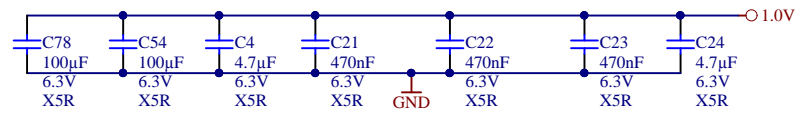
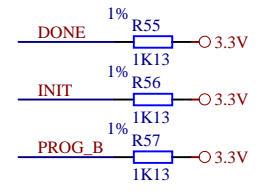
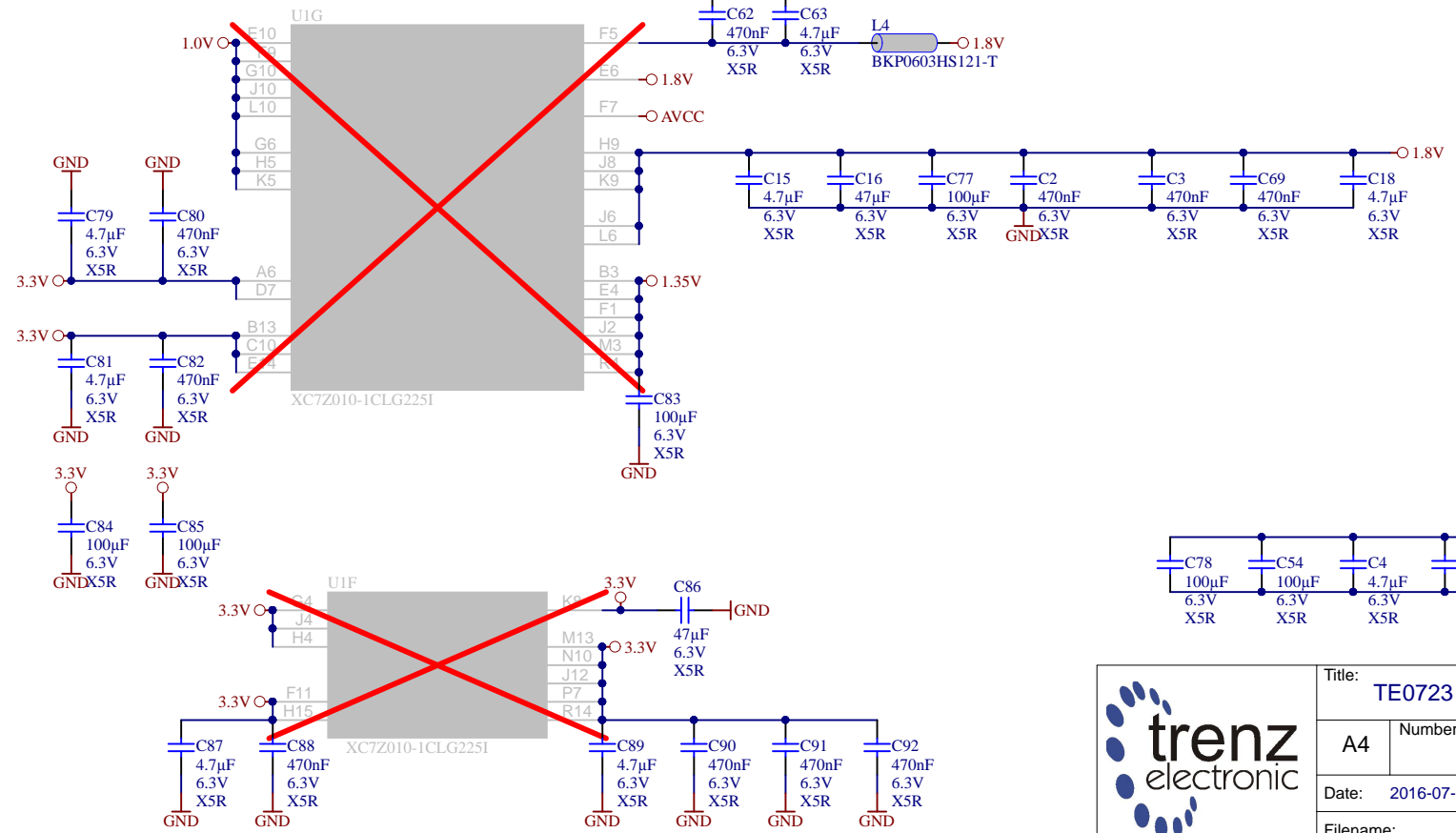
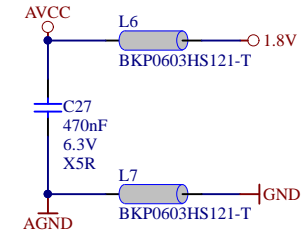
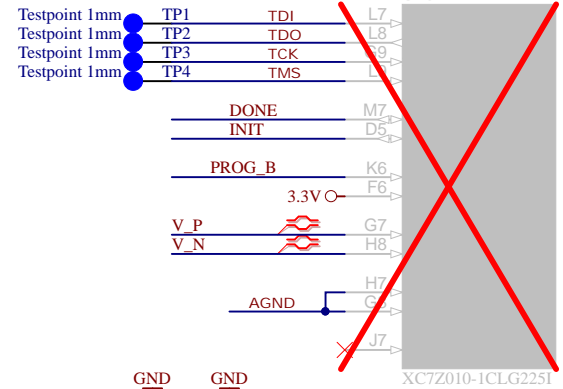
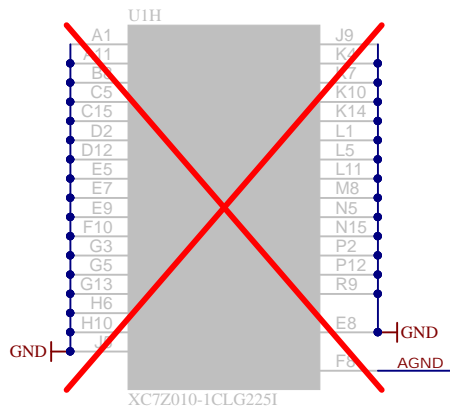
2

3

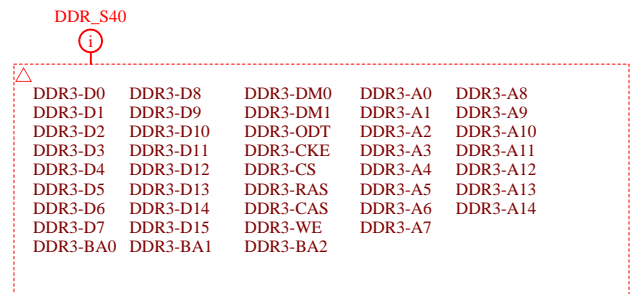
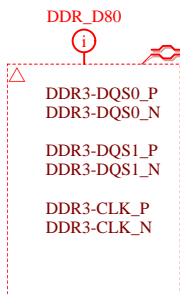
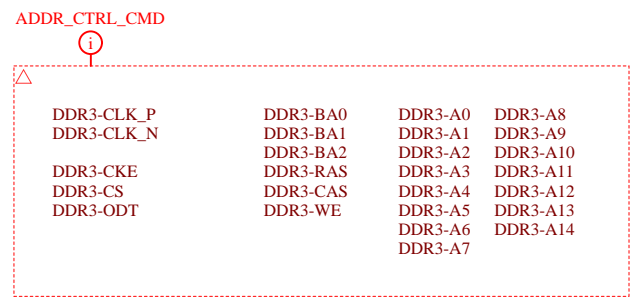
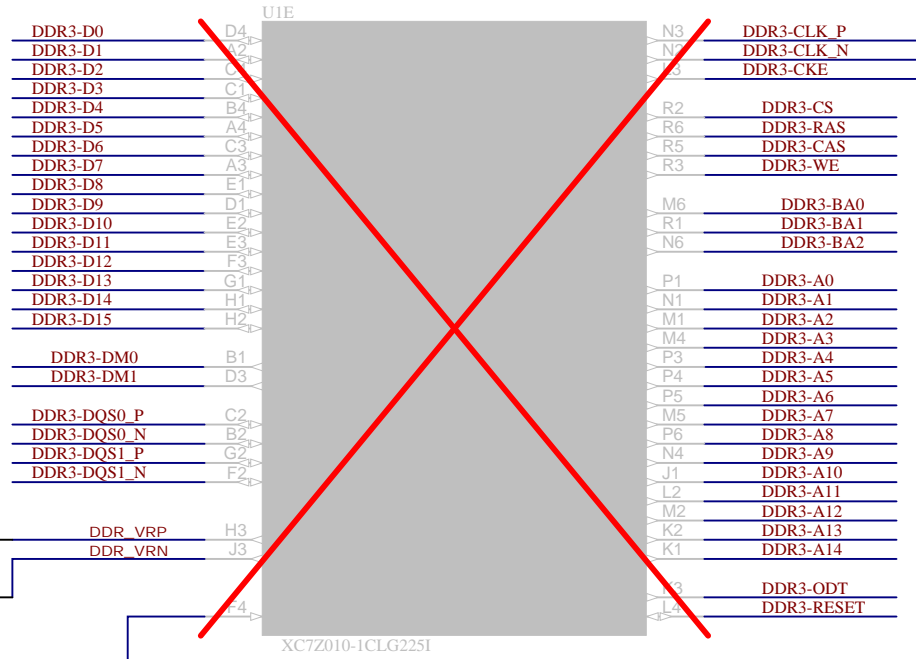
4



| | | | |
|---|--|----------------------------------|-----------------------------|
|  | | Title: TE0723 - FPGA MIO | |
| | | A4 | Number: TE0723 TE0723_C1 |
| Date: 2016-07-15 | | Copyright: Trenz Electronic GmbH | |
| Filename: FPGA_MIO.SchDoc | | Page 4 of 13 | |



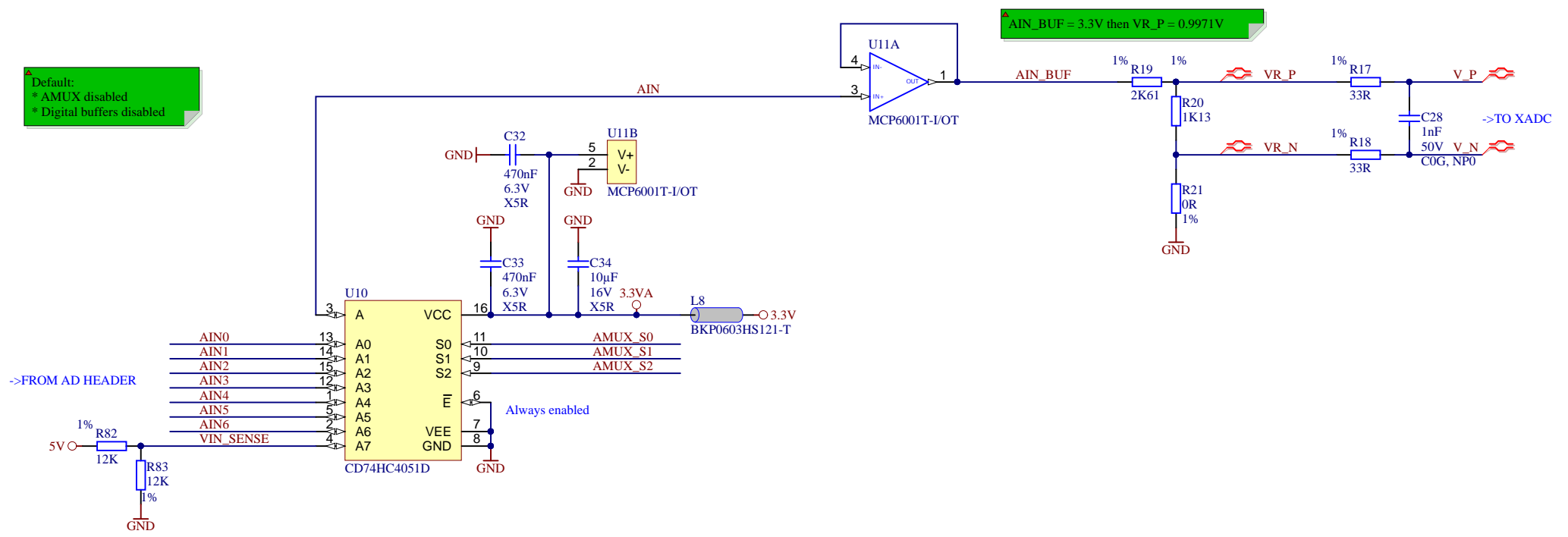
| | | |
|---------------------------|----------------------------------|-------------|
| Title: TE0723 - FPGA PWR | | |
| A4 | Number: TE0723 TE0723_C1 | Rev. 03 |
| Date: 2016-07-15 | Copyright: Trenz Electronic GmbH | Page5 of 13 |
| Filename: FPGA_PWR.SchDoc | | |



| | | |
|---------------------------|----------------------------------|-------------|
| Title: TE0723 - FPGA RAM | | |
| A4 | Number: TE0723 TE0723_C1 | Rev. 03 |
| Date: 2016-07-15 | Copyright: Trenz Electronic GmbH | Page6 of 13 |
| Filename: FPGA_RAM.SchDoc | | |


Default:
 * AMUX disabled
 * Digital buffers disabled

AIN_BUF = 3.3V then VR_P = 0.9971V



->FROM AD HEADER

->TO XADC

| | | | |
|---|------------------------------|----------------------------------|--------------|
|  | Title: TE0723 - Analog Input | | |
| | A4 | Number: TE0723 TE0723_C1 | Rev. 03 |
| | Date: 2016-07-15 | Copyright: Trenz Electronic GmbH | Page 7 of 13 |
| | Filename: Analog.SchDoc | | |

A

A

B

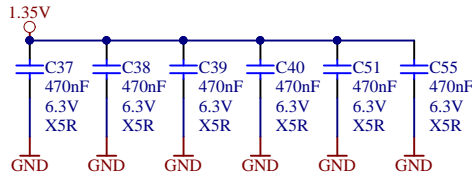
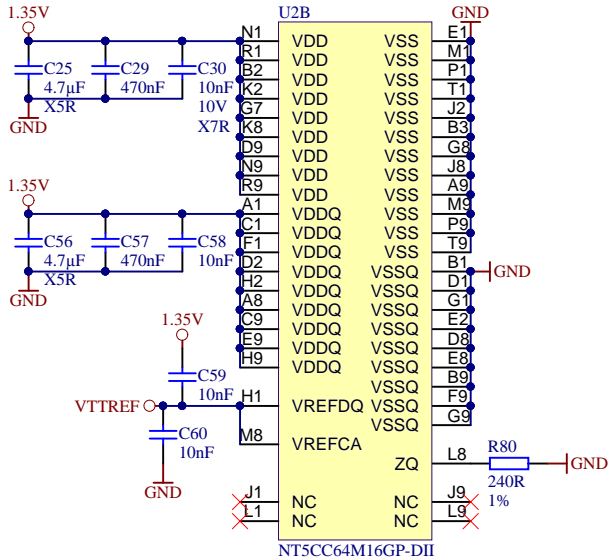
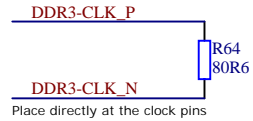
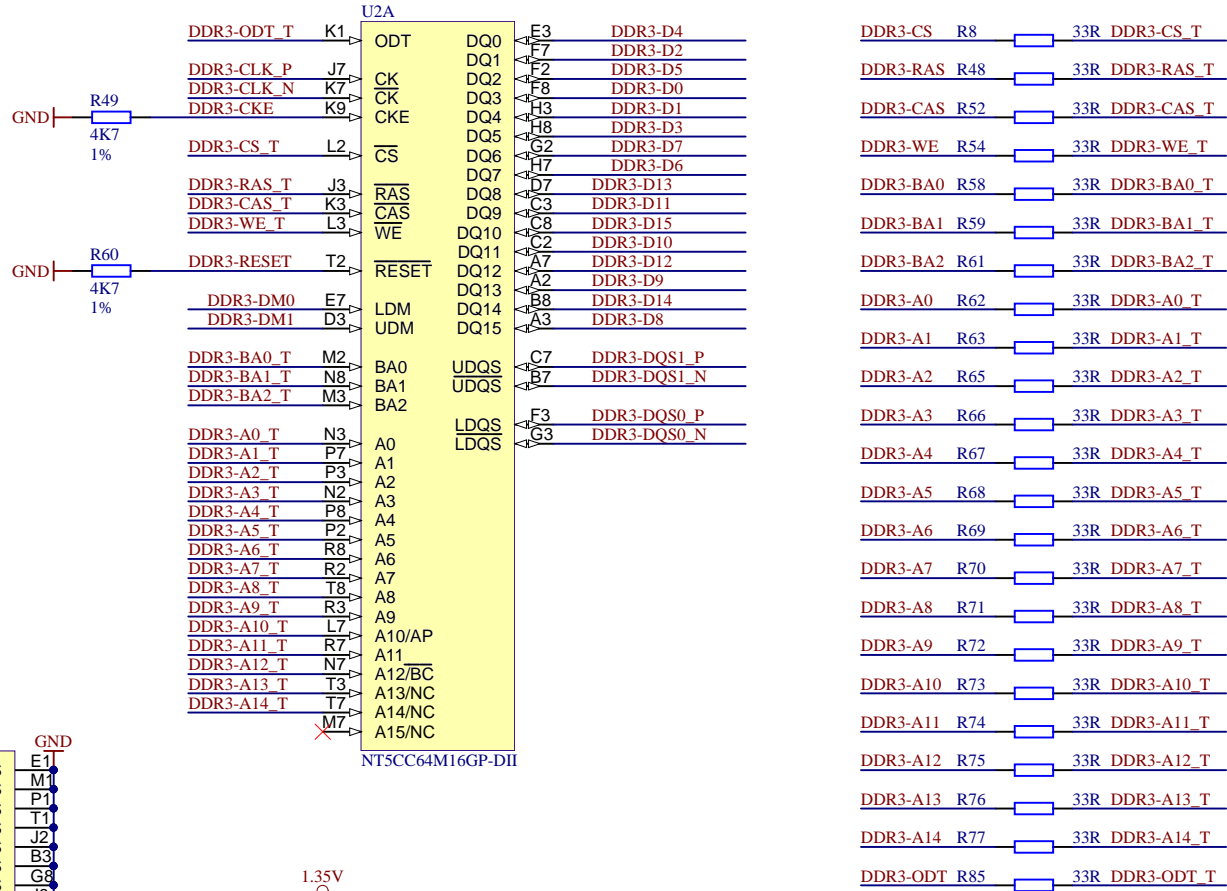
B

C

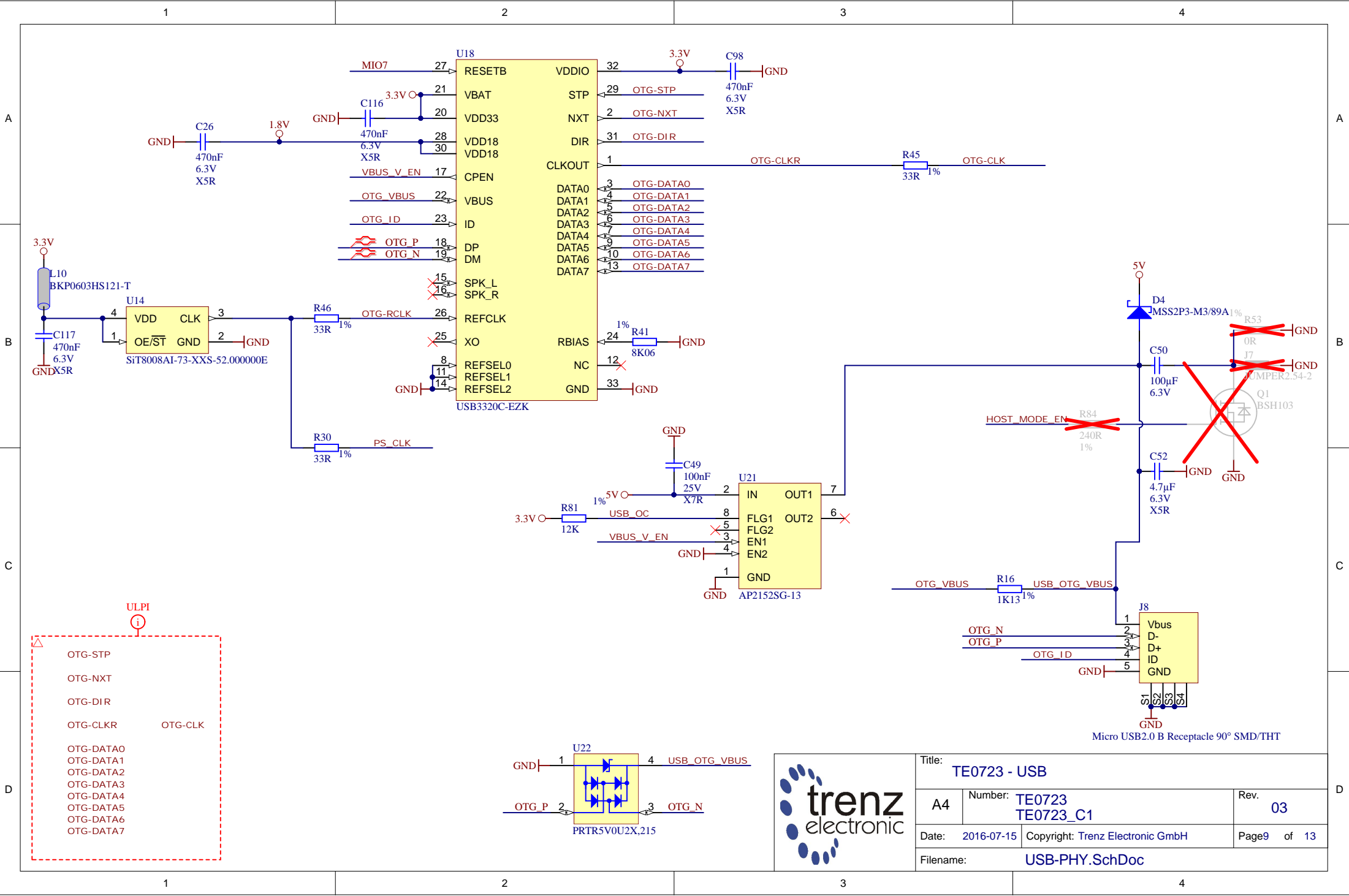
C

D

D



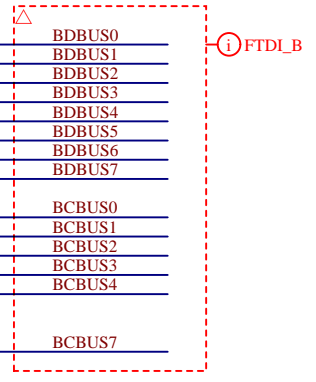
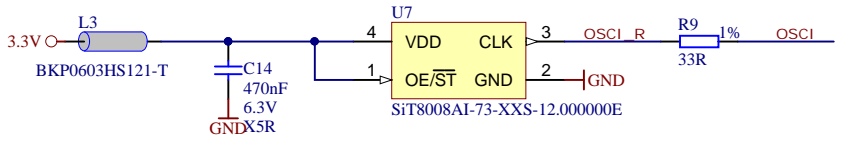
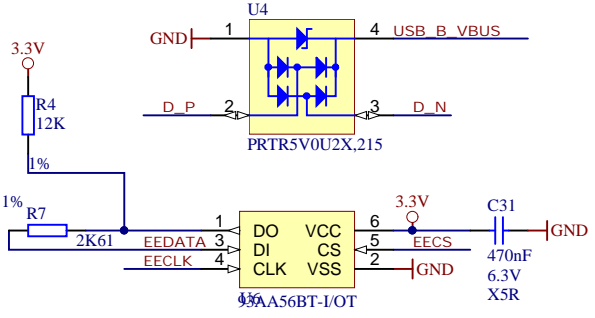
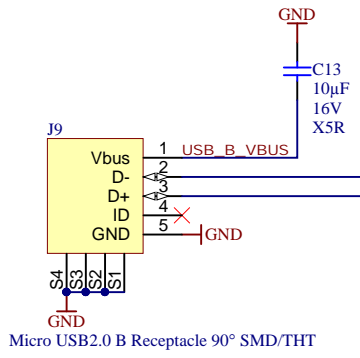
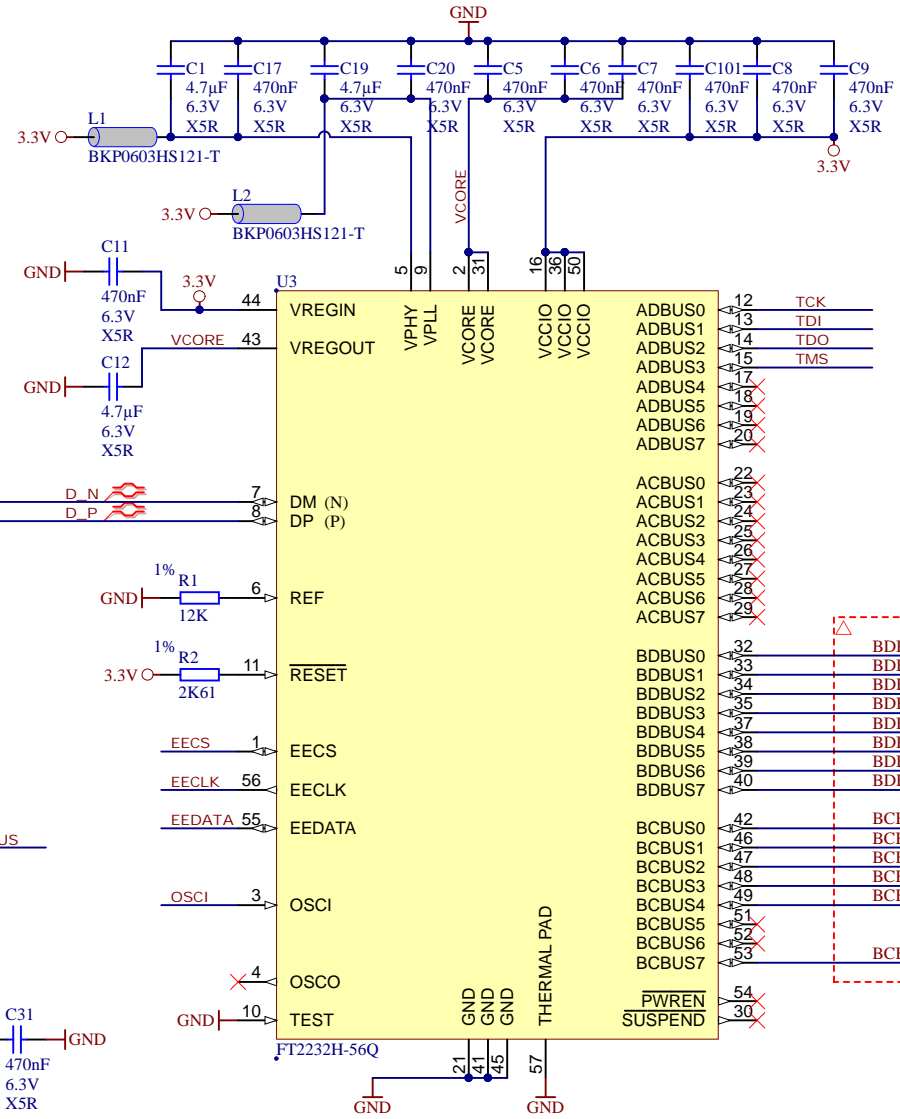
| | | |
|----------------------------|----------------------------------|-------------|
| Title: TE0723 - DDR Memory | | |
| A4 | Number: TE0723 TE0723_C1 | Rev. 03 |
| Date: 2016-07-15 | Copyright: Trenz Electronic GmbH | Page8 of 13 |
| Filename: DDR3-RAM.SchDoc | | |



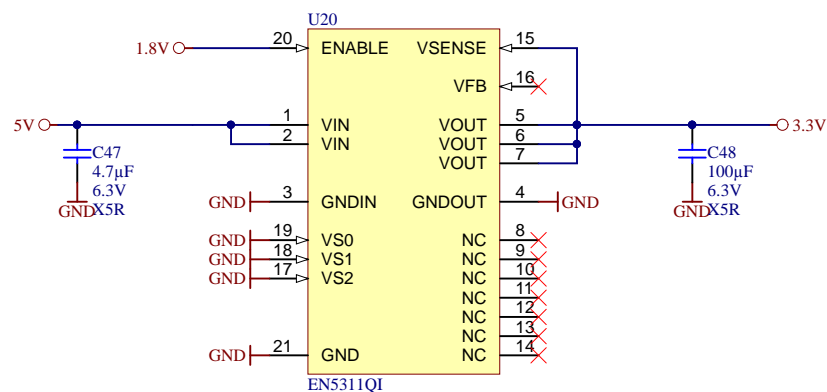
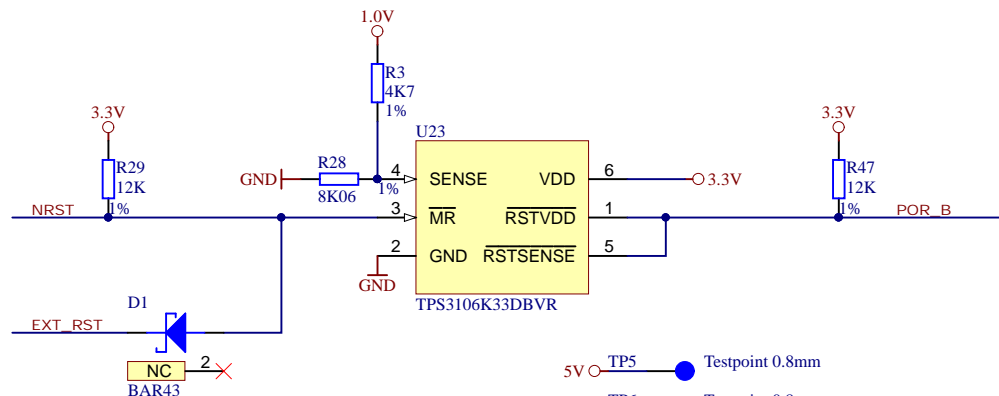
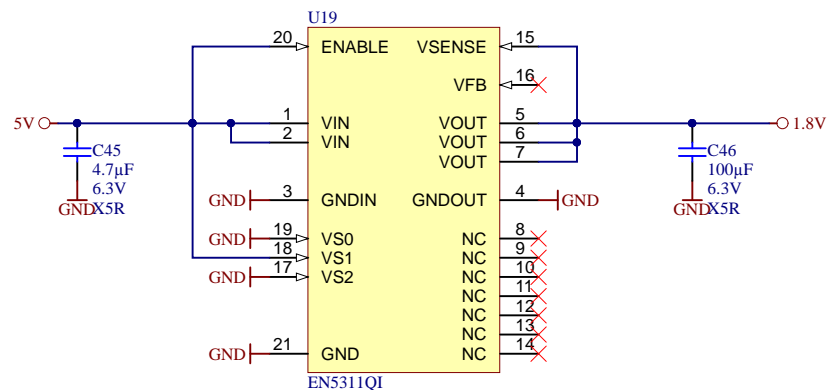
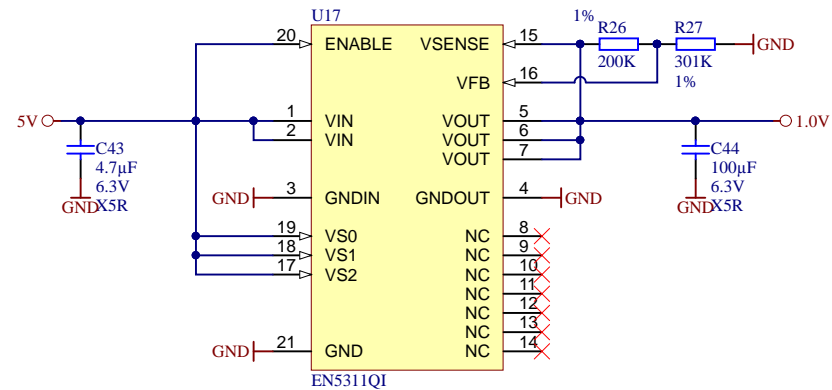
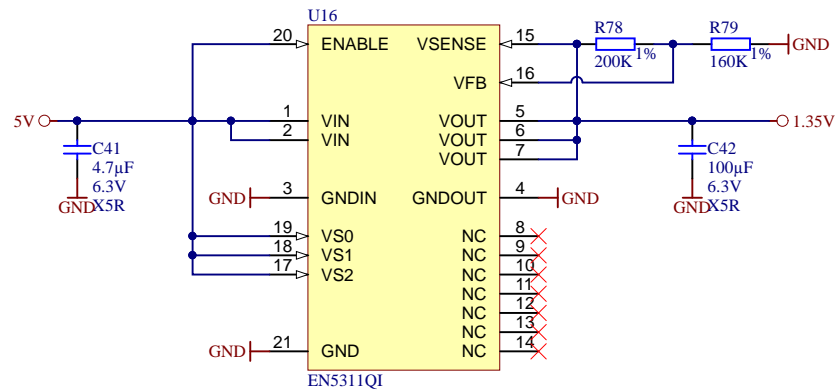
- ULPI
- OTG-STP
 - OTG-NXT
 - OTG-DIR
 - OTG-CLKR
 - OTG-CLK
 - OTG-DATA0
 - OTG-DATA1
 - OTG-DATA2
 - OTG-DATA3
 - OTG-DATA4
 - OTG-DATA5
 - OTG-DATA6
 - OTG-DATA7



| | | |
|--------------------------|----------------------------------|--------------|
| Title: TE0723 - USB | | |
| A4 | Number: TE0723 TE0723_C1 | Rev. 03 |
| Date: 2016-07-15 | Copyright: Trenz Electronic GmbH | Page 9 of 13 |
| Filename: USB-PHY.SchDoc | | |

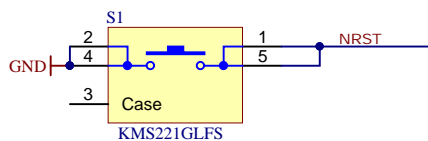
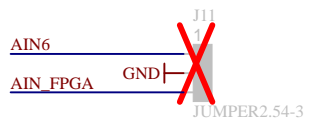
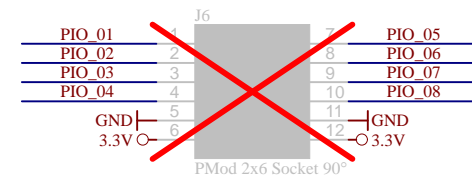
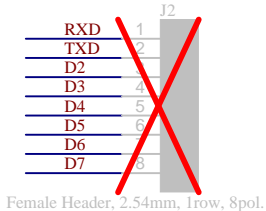
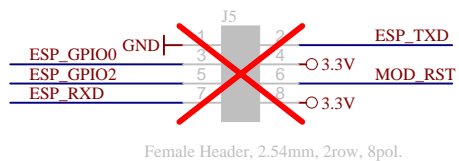
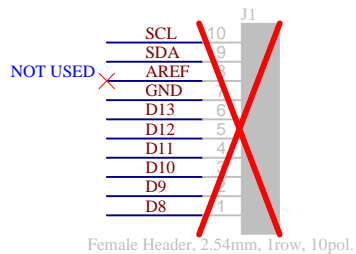
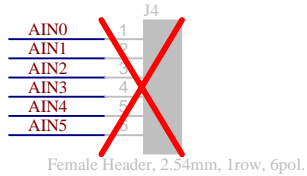
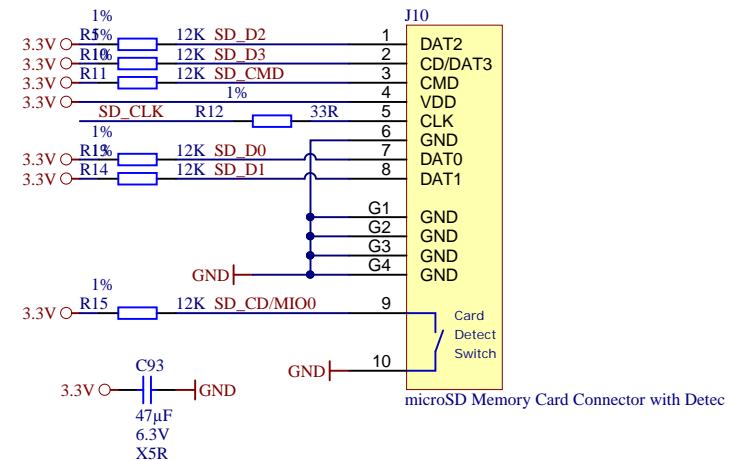
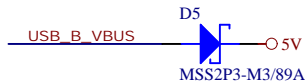
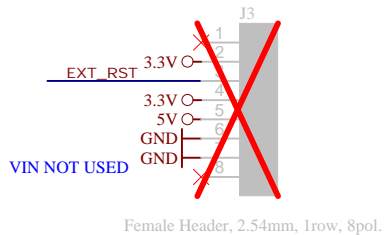


| | | |
|-----------------------|----------------------------------|---------------|
| Title: TE0723 - FTDI | | |
| A4 | Number: TE0723 TE0723_C1 | Rev. 03 |
| Date: 2016-07-15 | Copyright: Trenz Electronic GmbH | Page 10 of 13 |
| Filename: FTDI.SchDoc | | |



- 5V ○ TP5 ● Testpoint 0.8mm
- 3.3V ○ TP6 ● Testpoint 0.8mm
- 1.8V ○ TP7 ● Testpoint 0.8mm
- 1.35V ○ TP8 ● Testpoint 0.8mm
- 1.0V ○ TP9 ● Testpoint 0.8mm
- GND | TP10 ● Testpoint 0.8mm
- GND | TP11 ● Testpoint 0.8mm
- GND | TP12 ● Testpoint 0.8mm
- GND | TP13 ● Testpoint 0.8mm

| | | | |
|------------------------------|--|----------------------------------|-----------------------------|
| | | Title: TE0723 - PowerSupply | |
| | | A4 | Number: TE0723 TE0723_C1 |
| Date: 2016-07-15 | | Copyright: Trenz Electronic GmbH | |
| Page 11 of 13 | | Page 11 of 13 | |
| Filename: PowerSupply.SchDoc | | Filename: PowerSupply.SchDoc | |



| | | |
|----------------------------|----------------------------------|---------------|
| Title: TE0723 - Connectors | | |
| A4 | Number: TE0723 TE0723_C1 | Rev. 03 |
| Date: 2016-07-15 | Copyright: Trenz Electronic GmbH | Page 12 of 13 |
| Filename: A-Headers.SchDoc | | |

1

2

3

4

CHANGES REV02 to REV03

- 1) changed FTDI-chip on 56pins package
- 2) changed micro-USB connectors
- 3) optimized BOM
- 4) update footprints, full update lib
- 5) added serial number (traceability pad)

A

A

B

B

C

C

D

D



| | | |
|--|---|-----------------------------|
| Title: TE0723 - Changes list | | |
| A4 | Number: TE0723 TE0723_C1 | Rev. 03 |
| Date: 2016-07-15 | Copyright: Trenz Electronic GmbH | Page 13 of 13 |
| Filename: Revision_Changes.SchDoc | | |

1

2

3

4