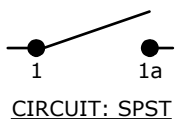


RECOMMENDED PANEL MOUNTING

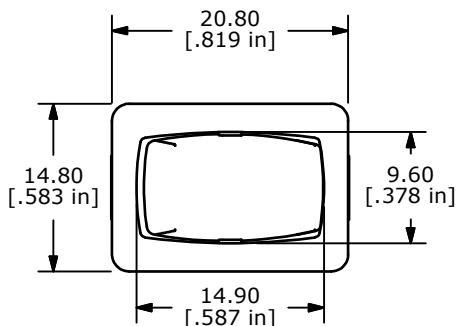
PANEL THICKNESS	X
0.75-1.25	19.2
1.25-2.00	19.4
2.00-3.00	19.8

SWITCH FUNCTION		
POS. 1	POS. 2	POS. 3
ON	NONE	OFF
1a-1	OPEN	OPEN

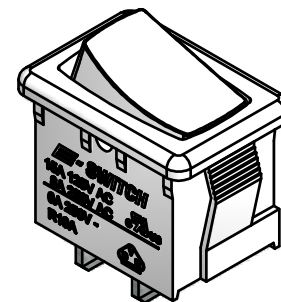


NOTES:

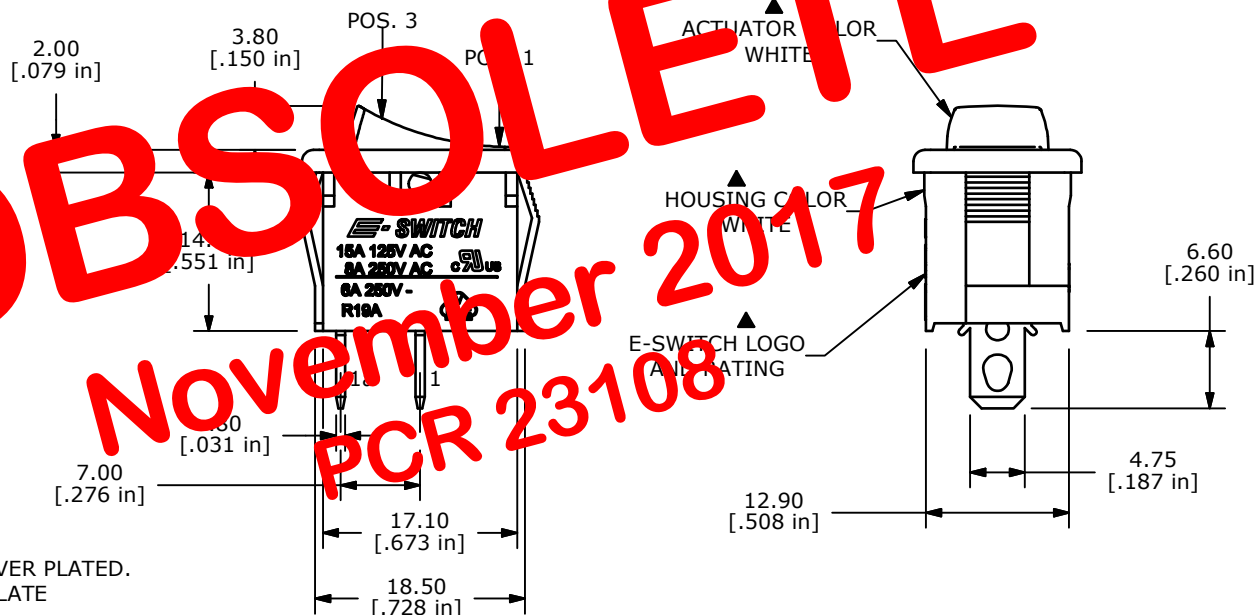
1. ALL DIMENSIONS IN MM [INCH]
2. GENERAL TOLERANCE: X.X=±0.4
X.XX=±0.25
3. TERM. NOS. FOR REF. ONLY
4. RATING: 15A @125VAC;
8A @250VAC.
- ▲ 5. LAMP VOLTAGE: NO LAMP
6. MATERIAL:
CONTACT SURFACE: COIN SILVER, SILVER PLATED.
TERMINAL: COPPER ALLOY w/SILVER PLATE
7. ELECTRICAL LIFE: 10,000 CYCLES
8. CONTACT RESISTANCE: <20 MILLI-OHMS INITIAL
9. INSULATION RESISTANCE: 1,000 Mega-OHMS MIN.
10. DIELECTRIC STRENGTH: >1,500V AC 1 MIN
11. ▲ DENOTES CRITICAL PARAMETER.



ISOMETRIC



OBSOLETE
 November 2017
 PCR 23108



TITLE R1966AWHTWHTF			
SCALE 1.5:1	DATE 9/29/2009	DR BLR	DWG M306217
THE INFORMATION CONTAINED IN THIS DOCUMENT IS PROPRIETARY TO E-SWITCH AND IS NOT TO BE COPIED OR TRANSFERRED		REV A	

A	18644	Released For Production	9/29/09	BLR
REV	PCR NO	DESCRIPTION	DATE	BY