



ELECTRONICS, INC.
 44 FARRAND STREET
 BLOOMFIELD, NJ 07003
 (973) 748-5089
<http://www.nteinc.com>

NTE30103 LED – Dual Color 3mm Super Fresh Red/Super Blue

Features:

- Low Power Consumption
- High Efficiency
- General Purpose Leads
- RoHS Compliant
- Water Clear Lens Type
- Common Anode Pin Configuration

Absolute Maximum Ratings: ($T_A = +25^\circ\text{C}$ unless otherwise specified)

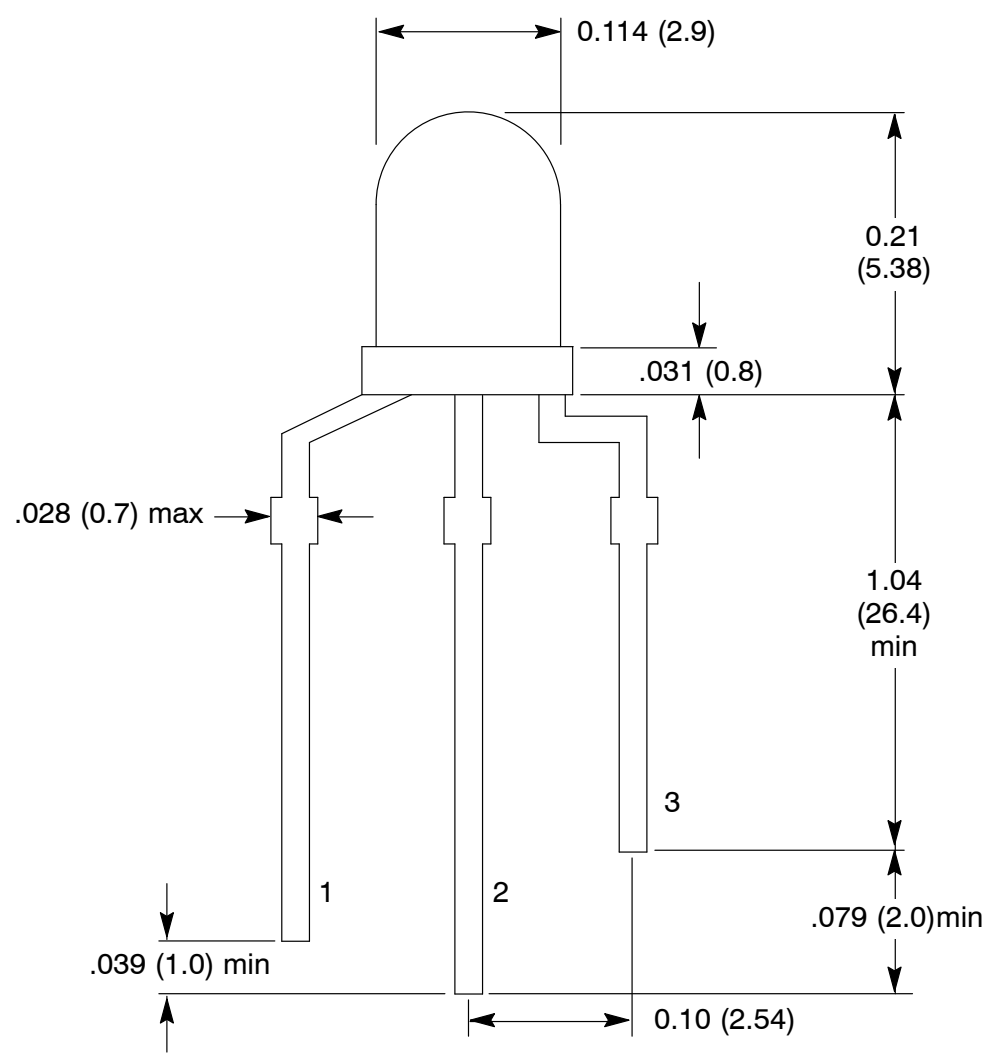
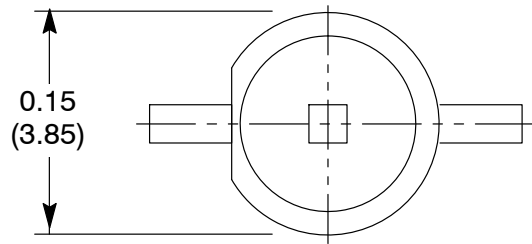
| | | |
|---|-------------------------------------|--|
| Power Dissipation, P_d | | |
| Red | 75mW | |
| Blue | 100mW | |
| Continuous Forward Current, I_F | 30mA | |
| Peak Forward Current (1/10 Duty Ratio, 0.1ms Pulse Width), I_{FM} | 100mA | |
| Reverse Voltage, V_R | 5V | |
| Derating linear from $+50^\circ\text{C}$ | 0.4mA/ $^\circ\text{C}$ | |
| Operating Temperature Range, T_{opr} | -40° to $+85^\circ\text{C}$ | |
| Storage Temperature Range, T_{stg} | -40° to $+100^\circ\text{C}$ | |
| Lead Soldering Temperature (.157 (4mm) From Body, 5 sec), T_L | $+260^\circ\text{C}$ | |

Electro-Optical Characteristics: ($T_A = +25^\circ\text{C}$ unless otherwise specified)

| Parameter | Symbol | Test Conditions | Min | Typ | Max | Unit |
|--------------------------|-----------------|---------------------|-----|------|-----|---------------|
| Viewing Angle | $2\theta_{1/2}$ | $I_F = 20\text{mA}$ | – | 30 | – | deg |
| Forward Voltage | V_F | $I_F = 20\text{mA}$ | 1.7 | 2.0 | 2.4 | V |
| Red | | | | | | |
| Blue | | | 2.8 | 3.2 | 3.4 | V |
| Reverse Current | I_R | $V_R = 5\text{V}$ | – | – | 10 | μA |
| Luminous Intensity | I_V | $I_F = 20\text{mA}$ | – | 1300 | – | mcd |
| Red | | | | | | |
| Blue | | | – | 1400 | – | mcd |
| Peak Emission Wavelength | λ_p | $I_F = 20\text{mA}$ | – | 630 | – | nm |
| Red | | | | | | |
| Blue | | | – | 470 | – | nm |
| Dominant Wavelength | λ_d | $I_F = 20\text{mA}$ | 620 | 625 | 630 | nm |
| Red | | | | | | |
| Blue | | | 464 | 468 | 474 | nm |
| Spectral Line Half-Width | $\Delta\lambda$ | $I_F = 20\text{mA}$ | – | 15 | – | nm |
| Red | | | | | | |
| Blue | | | – | 30 | – | nm |

Rev. 6-20





- 1. Blue -
- 2. Common Anode Lead +
- 3. Red -