

6

5

4

3

2

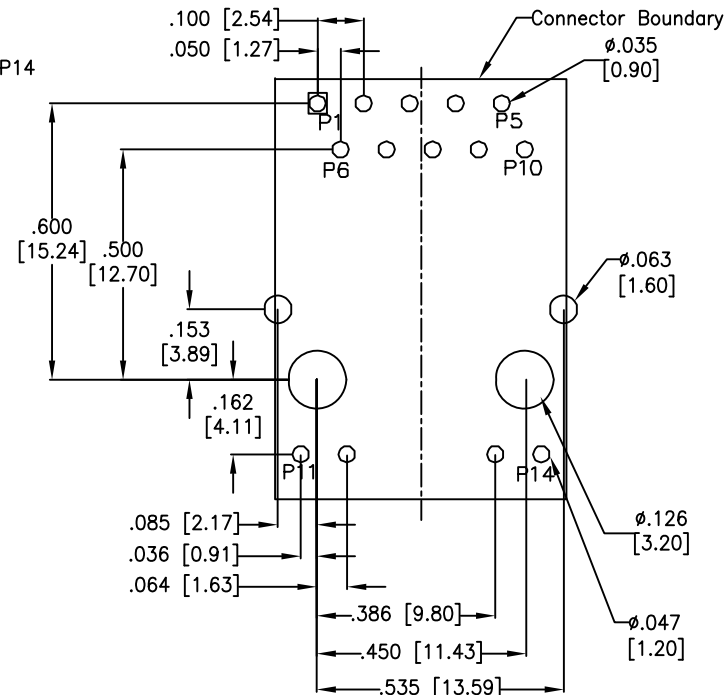
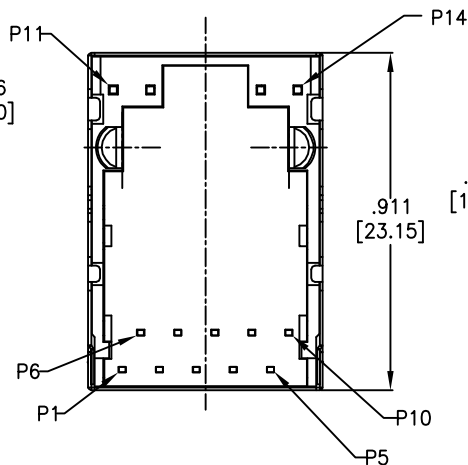
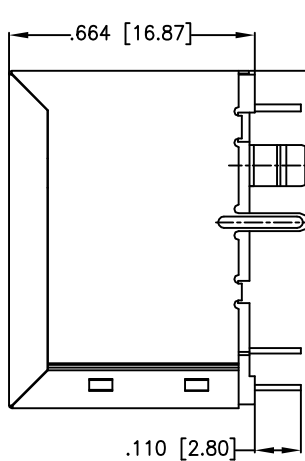
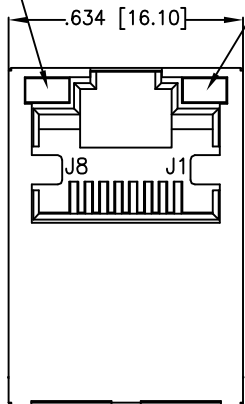
1

APPROVED: _____

DATE: _____ TITLE: _____

Rev	AWO #	Description	Date	Appr
-		RELEASED	11/13/18	

YELLOW LED 1 GREEN LED 2



RECOMMENDED PCB LAYOUT

SPECIFICATIONS:

Material:
 Insulator: PBT, rated UL 94V-0
 Insulator color: Black
 Contacts: Phosphor Bronze
 Shield: Brass, Nickel plated
 Plating:
 Round contact
 Gold over Nickel underplate overall
 Flat contact
 Gold over Nickel underplate on contact area,
 Tin over Nickel underplate on solder tails
 Electrical:
 Voltage rating: 150 VAC
 Contact Resistance: 20 mohms max
 Insulation resistance: 500 Mohms min
 Dielectric withstanding voltage: 2250 VDC
 Temperature Rating:
 Operating temperature: -40°C to +85°C
 Environmental:
 Lead free, RoHS compliant.



UNLESS OTHERWISE SPECIFIED
 ALL DIMENSIONS ARE INCHES [MM]
 TOLERANCES: EXCEPT AS NOTED
 INCHES HOLES
 .X ± .10 Ø.X ± .10
 .XX ± .020 Ø.XX ± .015
 .XXX ± .015 Ø.XXX ± .010

ADAM TECH
 INTERCONNECTS
 909 Rahway Avenue,
 Union, NJ 07083
 Phone: 908-687-5000
 Fax: 908-687-5710

TITLE
 MODULAR TELEPHONE JACK, 1 PORT, 8P8C
 W/LED1 YELLOW, LED2 GREEN

APPROVALS		DATE
DRAWN	AY	11/13/18
CHECKED	NL	11/13/18
APPROVED		

SIZE	PART NO.	REV.
X	MTJ-88TVX1-FSJ-LG-M75C-WOT	-
REF: S00005C	SCALE: NTS	SHEET 1 OF 2

6

5

4

3

2

1

APPROVED: _____

DATE: _____ TITLE: _____

Rev	AWO #	Description	Date	Appr
-----	-------	-------------	------	------

SEE SHT 1 OF 2 FOR REVISION

D

D

C

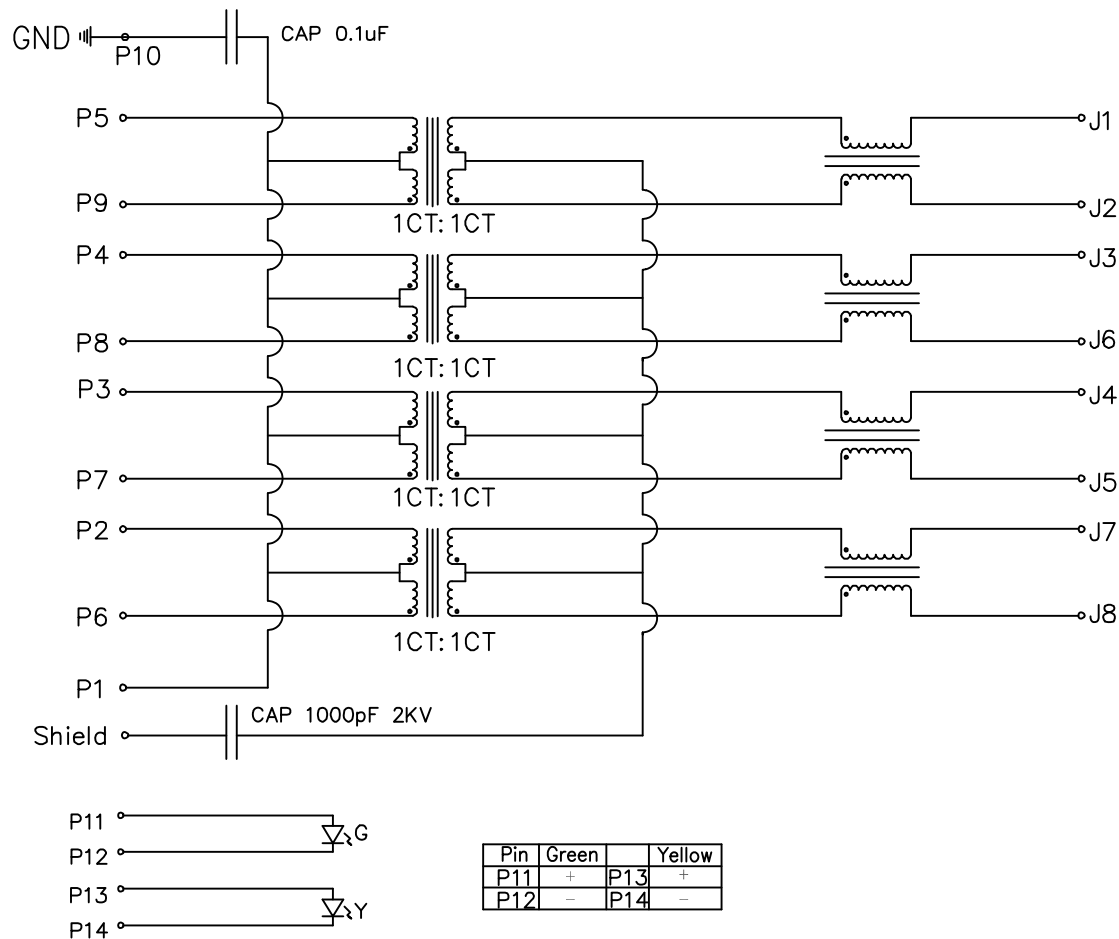
C

B

B

A

A



ELECTRICAL CHARACTERISTICS

- Turn Ratio @100KHz: (P5~P9):(J1~J2)=1:1±5%
(P4~P8):(J3~J6)=1:1±5%
(P3~P7):(J4~J5)=1:1±5%
(P2~P6):(J7~J8)=1:1±5%
- Primary Inductance: 350uH Min. @100kHz, 0.1Vrms, 8mA DC BIAS
- DC Resistance: 1.2 Ohms Max.
- Insertion Loss: 1~100MHz : -1.0dB Min.
100~125MHz : -1.2dB Min.
- Return Loss: 1~40MHz: -16dB Max
40~60MHz: -12dB Max
60~80MHz: -10dB Max
80~100MHz: -8dB Max
- Cross Talk: 1~100MHz: -30dB Max.
- Common to Common mode Attenuation: 1~100MHz: -30dB Min.
- Isolation: PHY Side to Line Side : 2250VDC

UNLESS OTHERWISE SPECIFIED
ALL DIMENSIONS ARE INCHES [MM]
TOLERANCES: EXCEPT AS NOTED
INCHES HOLES

.X ± .10	∅.X ± .10
.XX ± .020	∅.XX ± .015
.XXX ± .015	∅.XXX ± .010

ADAM TECH
INTERCONNECTS
909 Rahway Avenue,
Union, NJ 07083
Phone: 908-687-5000
Fax: 908-687-5710

TITLE: MODULAR TELEPHONE JACK, 1 PORT, 8P8C
W/LED1 YELLOW, LED2 GREEN

APPROVALS		DATE
DRAWN	AY	11/13/18
CHECKED	NL	11/13/18
APPROVED		

SIZE	PART NO.	REV.
X	MTJ-88TVX1-FSJ-LG-M75C-WOT	-
REF: S00005C	SCALE: NTS	SHEET 2 OF 2