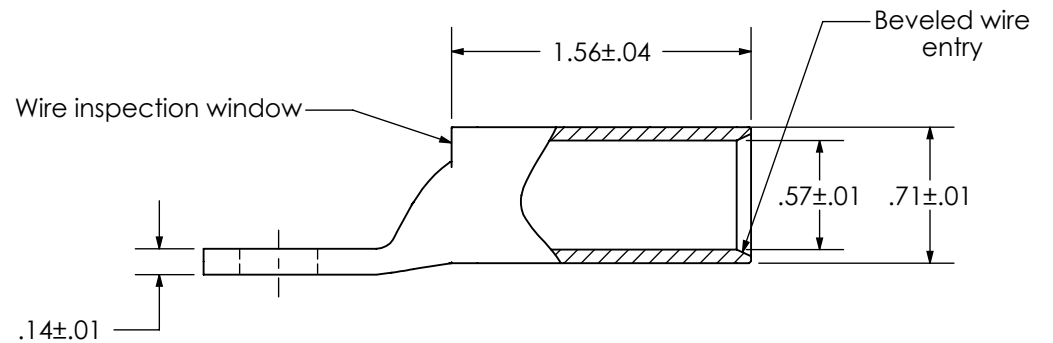
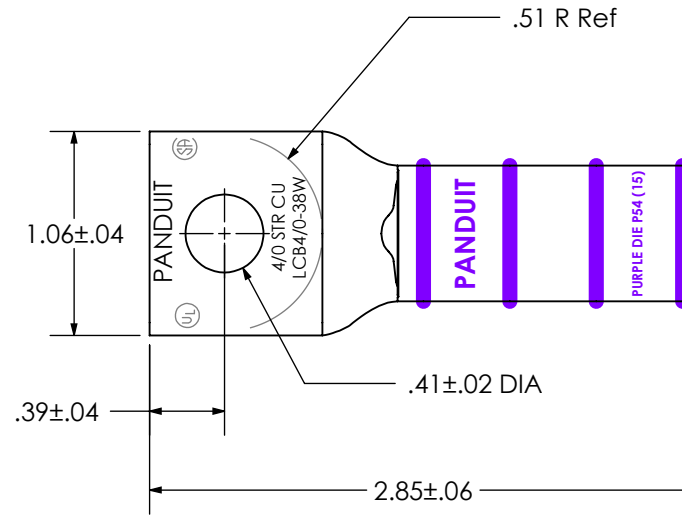


THIS COPY IS PROVIDED ON A RESTRICTED BASIS AND IS NOT TO BE USED IN ANY WAY DETRIMENTAL TO THE INTERESTS OF PANDUIT CORP.

|  |  |
|--|--|
| Material                                       | High Conductivity Seamless Copper Tube   |
| Plating  | Electro-Tin  |
| Wire Size                                      | 4/0 AWG  |
| Wire Type                                      | Stranded Copper; Class B: Compact, Compressed or Concentric, Class C: Concentric   |
| Wire Strip Length                              | 1-5/8 in.  |
| Stud Size                                      | 3/8 in.  |
| UL Listed Wire Connector                       | Yes, for applications up to 35kv. Consult cable manufacturer for voltage stress relief instructions with applications greater than 2000 volts. |
| UL Temperature Rating                          | 90° C  |
| C.S.A Certified Wire Connector                 | Yes  |
| Panduit Color Code on Barrel                   | PURPLE   |
| Panduit Die Index No. on Barrel                | P54  |
| Alternate Industry Die Index No. ( ) on Barrel | (15)   |



|            |             |           |            |                    |            |           |            |
|------------|-------------|-----------|------------|--------------------|------------|-----------|------------|
| 00         | 6/07        | JHNU      | JHNU       | DRAWING RELEASED   | 021775     | RGB       | RGB        |
| <b>REV</b> | <b>DATE</b> | <b>BY</b> | <b>CHK</b> | <b>DESCRIPTION</b> | <b>ECN</b> | <b>-R</b> | <b>SUP</b> |

**PANDUIT CORP. TINLEY PARK, ILLINOIS**

LCB4/0-38W-X  
Copper Lug - One-Hole, Long Barrel with Window

SCALE N/A DRAWING NO / CAD FILE LCB4/0-38W-CUST