



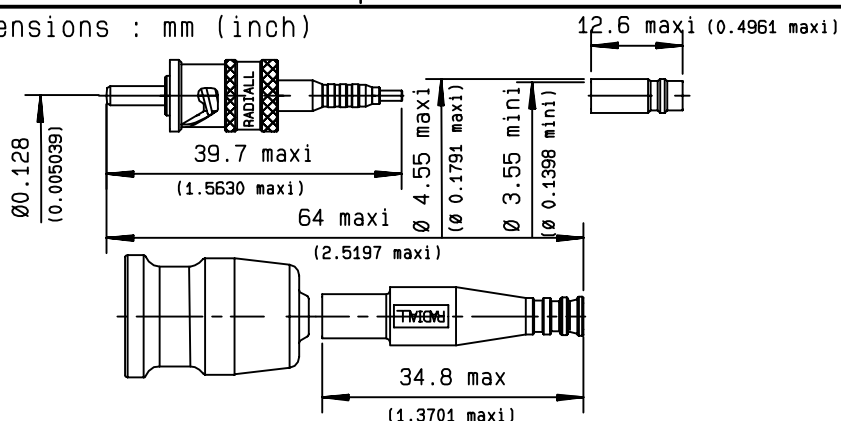
Titre: ST2 MULTIMODE PLUG $\varnothing 128 \mu\text{m}$ CERAMIC FERRULE CABLE $\varnothing 2.7$ to 3

Series
F709

Issue:
10 25 99

Page
1/2

Dimensions : mm (inch)



mm to inch : 0.03937

BOOT :
- COLOUR BLACK
- INFLAMMABILITY : V1 (UL94)
- MATERIAL IN ACCORDANCE WITH BELLCORE GR 326 CORE
Issue 2, par. 3.3.1

BODY :
- BRASS
- NICKEL PLATED

GENERAL

- TYPE :**
- IEC 1754-2 Type BFOC/2.5 - "ST2"
 - Ceramic Zirconia ferrule 20 mm pre-radius
 - Bayonet latching system
 - Sealed for operation in all weather condition (rain, snow ..., except immersion)
- FIBRE :** - Multimode 125 μm
- CABLE :** - Cable $\varnothing 2.7$ to 3 mm (Hex. 3.84)
- WIRING :** ASSEMBLY PROCEDURE D611200E
- For a tight cable $\varnothing 3$ with aramid strength member and a coated fiber $\varnothing 0.9$:
----- See procedure : F709PC43
- USAGE :** used with adapter F 709 724 000 for sealing (rain) application

CHARACTERISTICS

(Depending on fibre or cable construction)

OPTICAL: Typical insertion loss (IEC 1300-3-4, Methode B or CECC 86000 Method 7) with adaptor F709724000 at 850 nm.

- Typical : 0.25 dB
- Standard deviation : 0.08 dB
- Reproducibility ; 0.05 dB

Return loss (IEC 61300-3-6 Methode B or CECC Methode 3, OTDR) :

- >30 dB (PC)

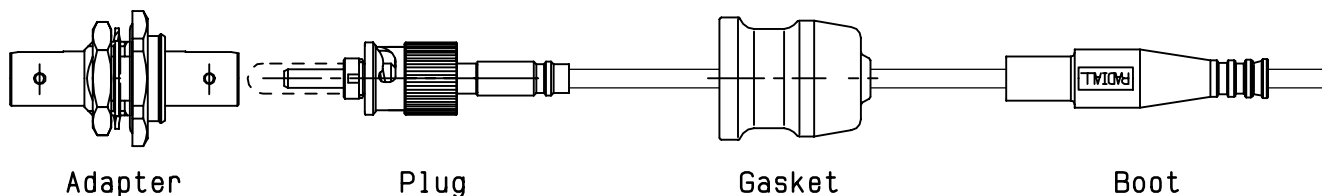
MECHANICAL :

- Mating life : 500 mating cycles
- Fibre retention : 5 N
- Cable retention : 100 N
- Buffered fiber retention : 10 N (depending of the material)
- Vibrations : 5/55 Hz - 1.5 g
50/500 Hz - 3 g

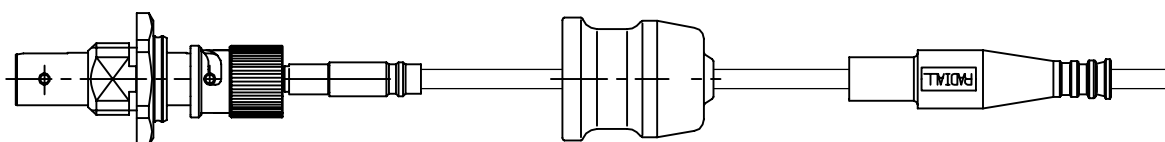
ENVIRONMENTAL:

- Climatic category : 45/85/4
- Sealing (used with adapter F 709 724 000) IEC 68-2-18
Test Rb1

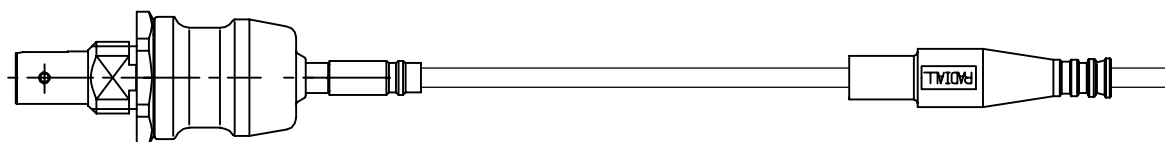
CREATION					
N°	PEN 98 0400 363				
	: mkt 98 064				
Name	: S. D	10 25 99	IEC 68-2-17 (Ga) => IEC 68-2-18 (Rb1)	S. D	
Date	: 03 10 99	05 12 99	Add page 2	S. DUBOIS	
Verif.:	L. V	Issue	Revisions	Name	Approved



1- Connect the plug to the adapter. Be sure you are in front of the right end of the adapter.



2- Slide back the gasket onto the plug until to clip it on the adapter



3- Slide back the boot onto the ferrule

