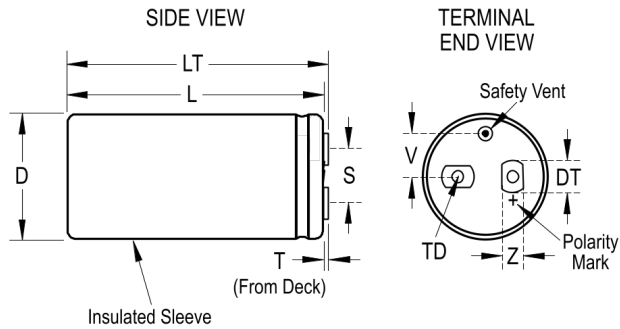


## ALS40A103QH200

Aliases (A341UK103M200A)

ALS40, Aluminum Electrolytic, 10,000  $\mu$ F, 20%, 200 VDC, -40/+105°C



Click [here](#) for the 3D model.

### Dimensions

D	90mm +/-1mm
L	98mm +/-2mm
T	5.5mm +/-0.5mm
S	31.8mm +/-0.5mm
DT	13mm +/-0.5mm
LT	103.5mm +/-1mm
TD	10mm MIN
V	25mm NOM
Z	10mm NOM

### Packaging Specifications

Sleeving	Yes
Packaging	Bulk, Box

### General Information

Series	ALS40
Dielectric	Aluminum Electrolytic
Description	Screw Terminal, Aluminum Electrolytic
RoHS	Yes
AEC-Q200	No
Halogen Free	No
Component Weight	900 g
Notes	Dimensions D And L Include Sleeving. MS (MxH) = M12x16. Mounting Clamp (Sold Separately): V90N
Shelf Life	156 Weeks

### Specifications

Capacitance	10,000 $\mu$ F
Capacitance Tolerance	20%
Voltage DC	200 VDC, 230 VDC (Surge)
Temperature Range	-40/+105°C
Rated Temperature	105°C
Life	9000 Hrs (Rated Voltage And Ripple Current At 105C), 15000 Hrs (Rated Voltage At 105C)
Resistance	23 mOhms (100Hz 20C), 20 mOhms (10kHz 20C)
Ripple Current	15.4 Amps (100Hz 105C), 16.6 Amps (10kHz 105C)
Leakage Current	6000 $\mu$ A (5min 20°C)