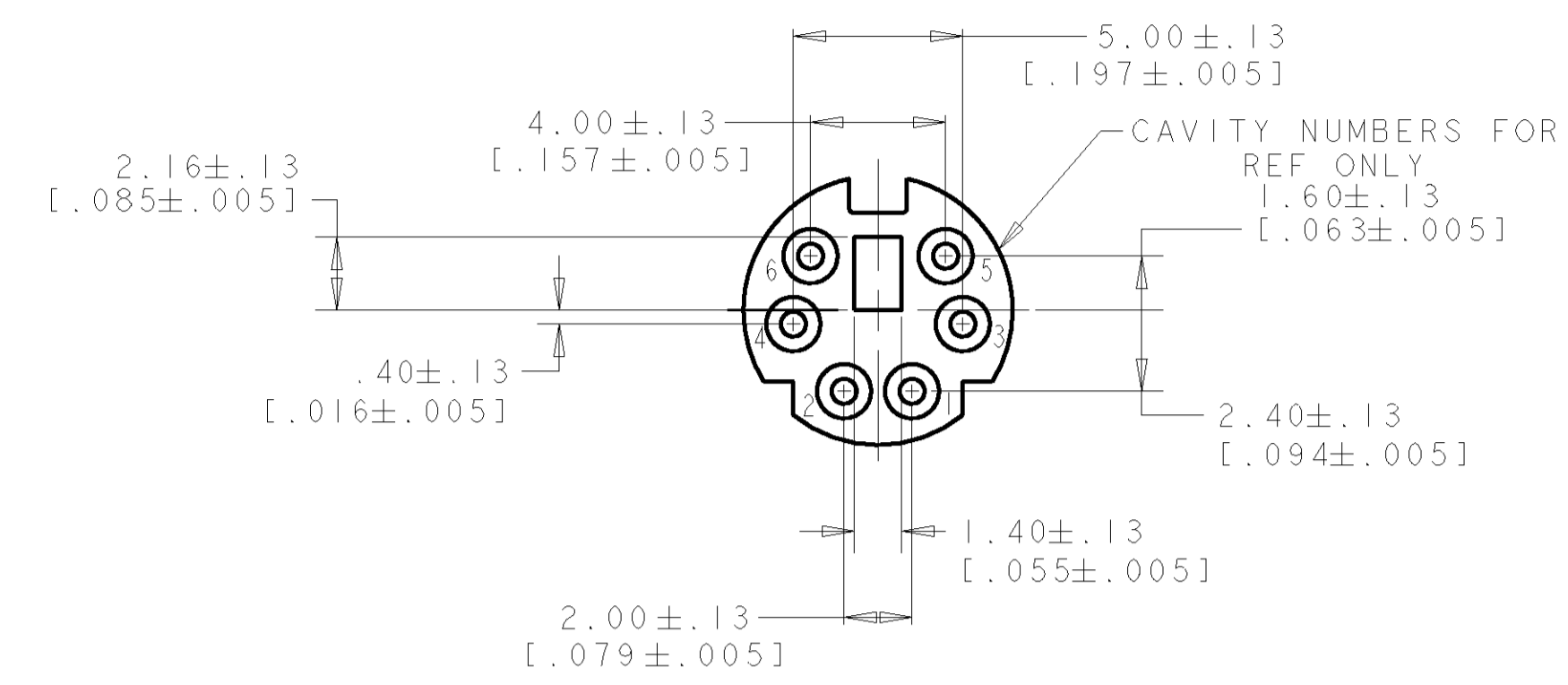
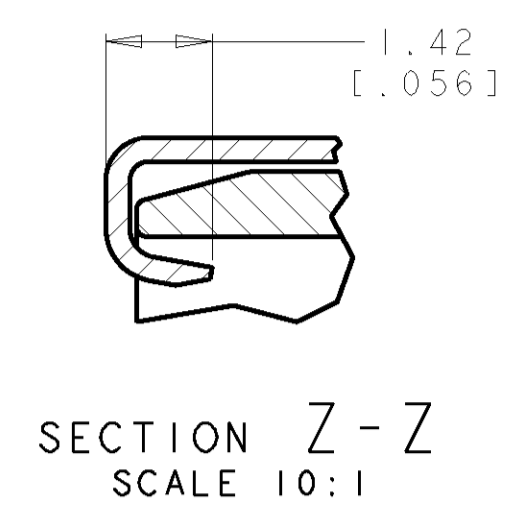
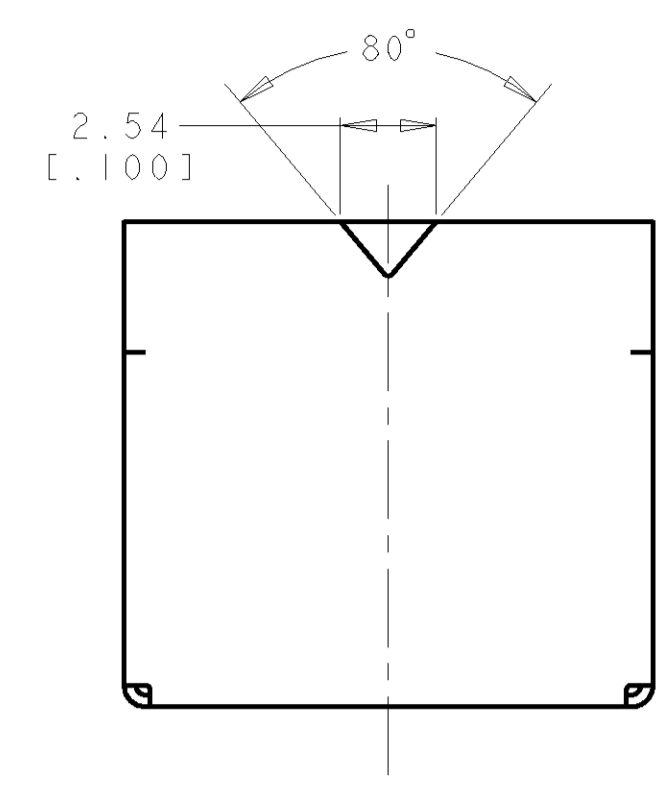
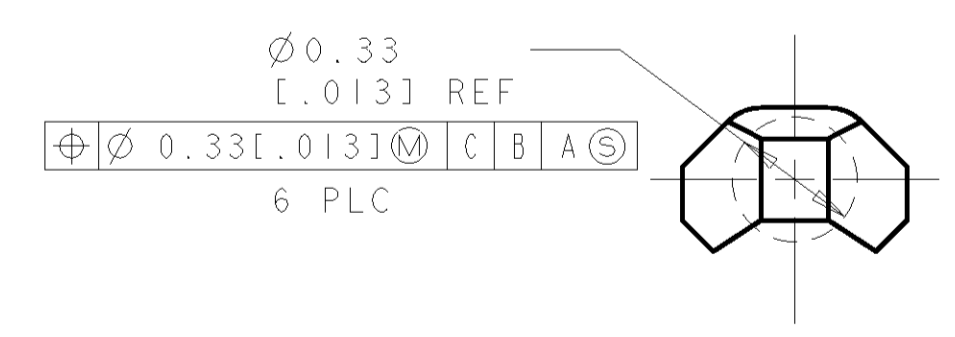
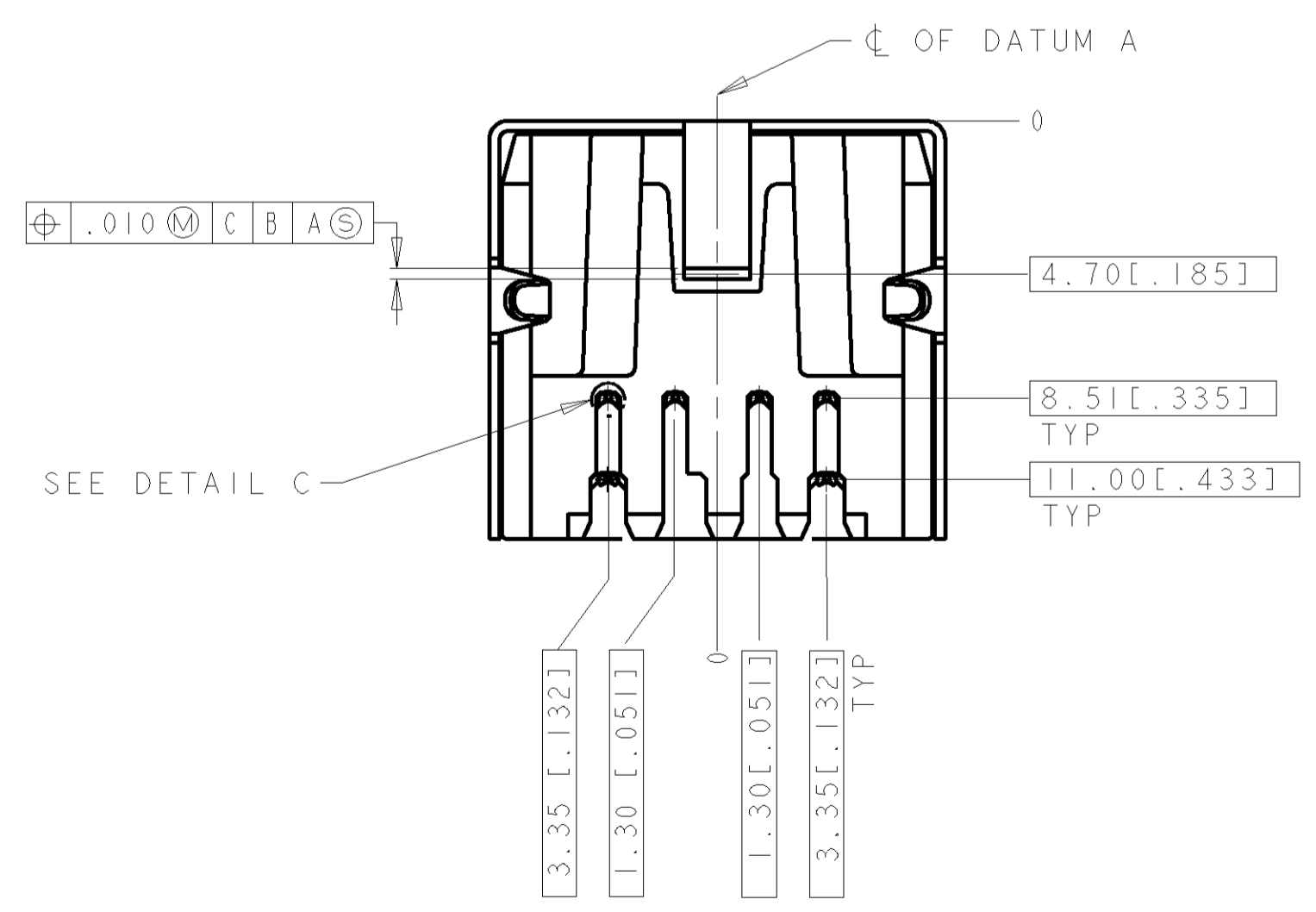
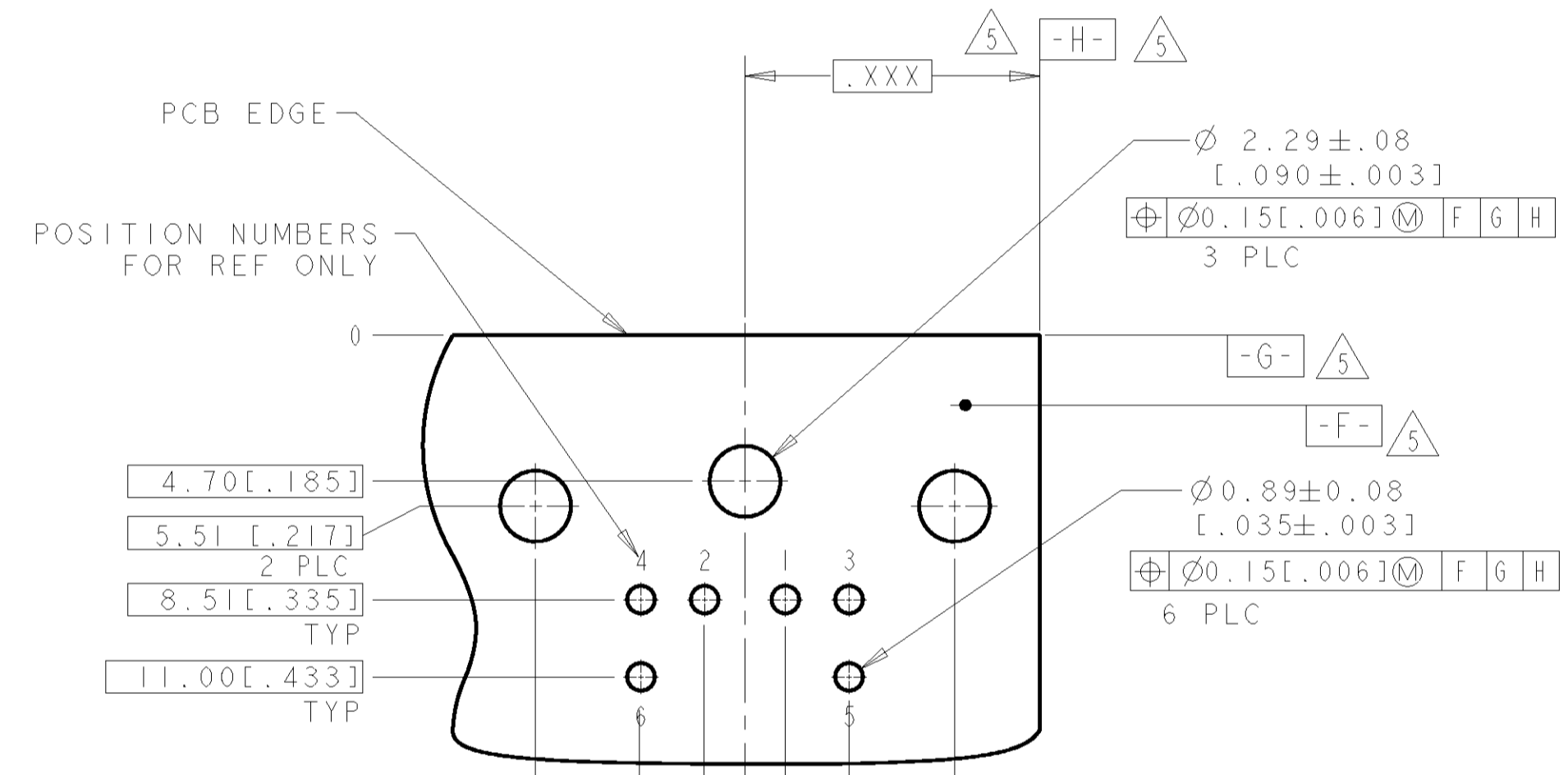
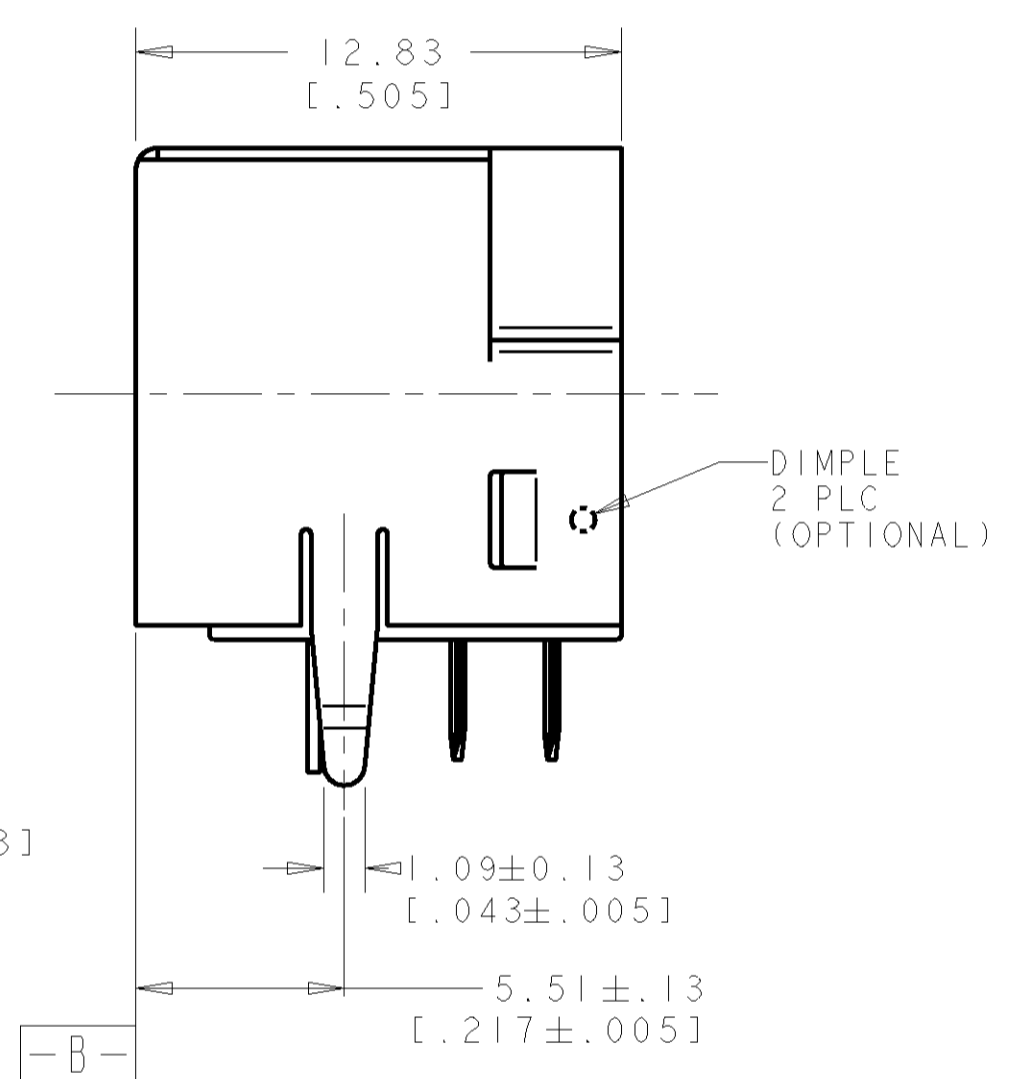
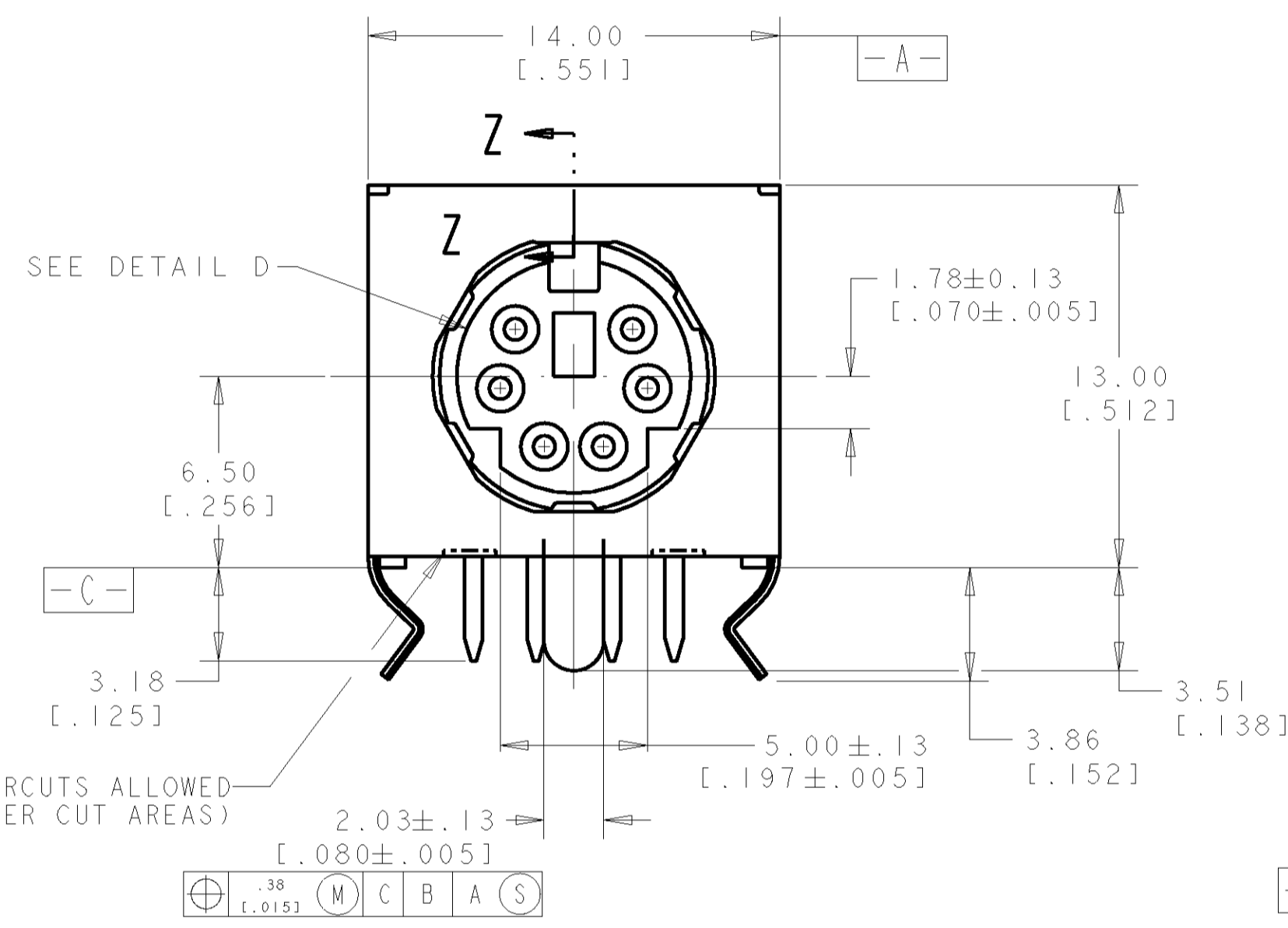


LOC	DIST	REV	DESCRIPTION	DATE	DNM	APRD
DY	-	A1	REVISED PER ECO-11-005139	19MAR11	RK	HMR



- △ RECEPTACLE CONTACTS: COPPER ALLOY.
RECEPTACLE SHIELD: COPPER ALLOY.
HOUSING: THERMOPLASTIC, BLACK, UL 94V-0 RATED.
- △ PLATING:
RECEPTACLE CONTACTS - GOLD PLATED .00076 MIN [0.00030 MIN] THICK
ON MATING END, MATTE-TIN PLATED .0030 MIN [0.00120 MIN] THICK
ON SOLDER TAIL ALL OVER .0013 MIN [0.00050 MIN] THICK NICKEL.
- △ PLATING:
SHIELD: PRE-TIN PLATED
- 4. RECEPTACLE ASSEMBLY MATES WITH 6 PIN 9.00±.10 [0.354±.004]
DIAMETER PLUG.
- △ DATUMS AND BASIC DIMENSION SUPPLIED BY CUSTOMER.



ALL	5749180-1
POSITIONS LOADED	PART NO

DIMENSIONS: mm [INCHES]		TOLERANCES UNLESS OTHERWISE SPECIFIED:		DWN WYLLIE 28DEC2004 CHK SF LEONG APRD SF LEONG	
0 PLC	±	1 PLC	±	NAME	RECEPTACLE ASSY W/ HOLD DOWN, 6 POS
2 PLC	±	3 PLC	±	PRODUCT SPEC	108-1225
4 PLC	±	5 PLC	±0.381 [0.015]	APPLICATION SPEC	-
6 PLC	±	ANGLES	±0°30'	SIZE	A1
MATERIAL	△	FINISH	△	WEIGHT	-
CUSTOMER DRAWING				CAGE CODE	00779
				DRAWING NO	5749180
				SCALE	5:1
				SHEET	1 OF 1
				REV	A1