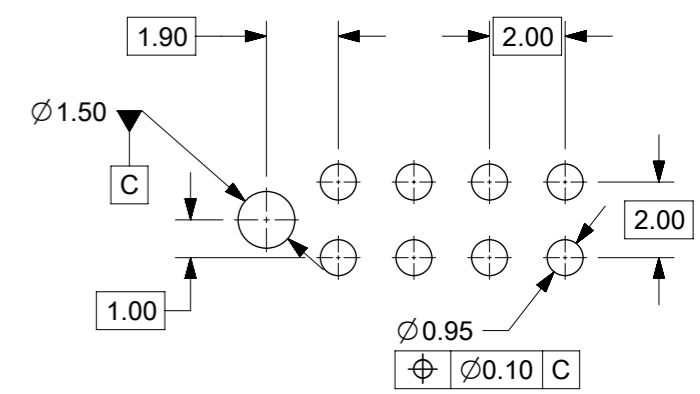
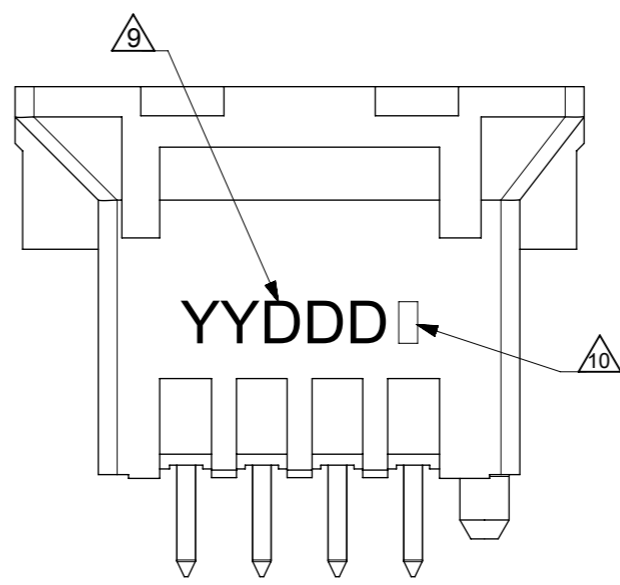
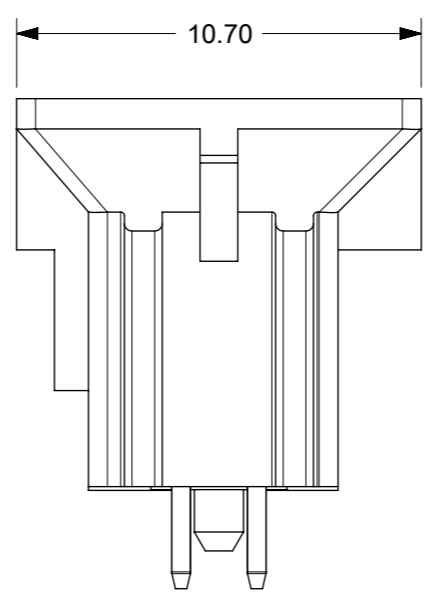
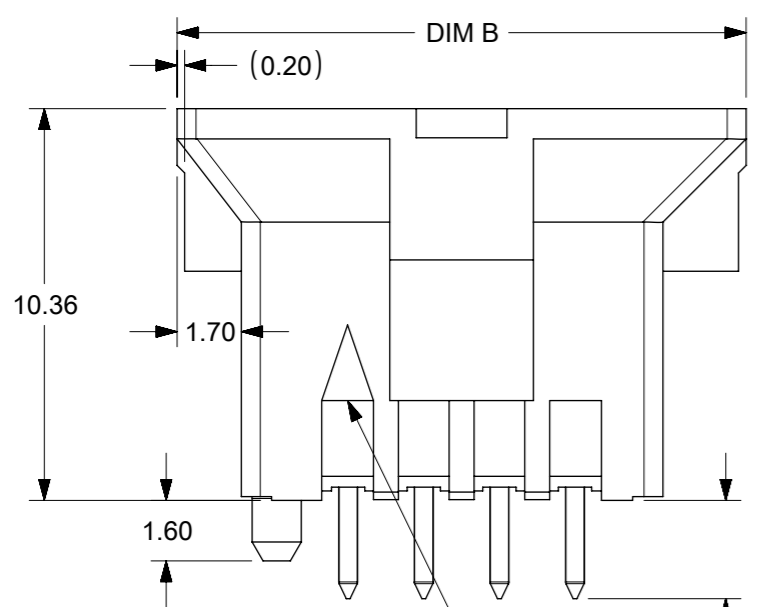


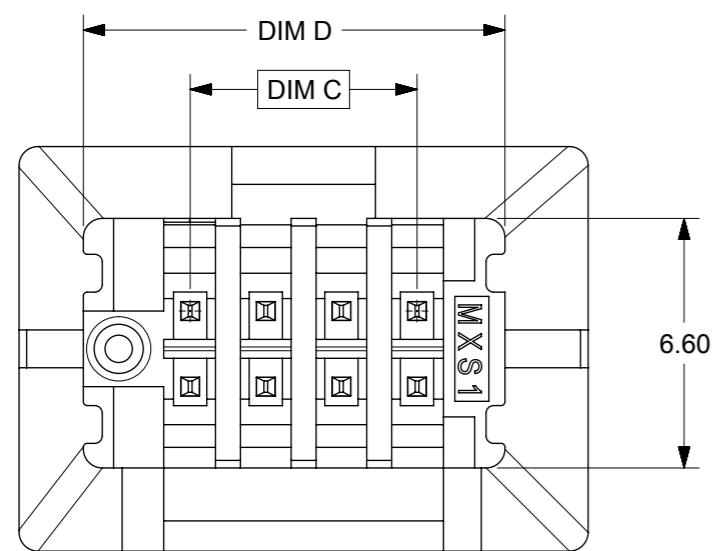
- NOTES:
- MATERIALS:  
HOUSING: LIQUID CRYSTALLINE POLYMER, GLASSED-FILLED UL 94V-0, BLACK  
TERMINALS: 0.50mm SQ. PHOSPHOR BRONZE
  - FINISHES: SEE PART NUMBER LEGEND
  - PRODUCT SPECIFICATION: PS-151013-0001
  - PACKAGING SPECIFICATION: PK-151013-0001
  - MATES WITH:  
51110-XX50 (4 TO 20 CKTS)  
51110-XX51 (8 TO 12 CKTS ONLY)  
51110-XX52 (4, 6, AND 14 TO 20 CKTS)  
51110-XX60 (4 TO 12 CKTS)
  - PARTS CONFORMS TO CLASS "B" REQUIREMENTS OF COSMETIC SPECIFICATION PS-45499-002
  - MOLEX LOGO AND CAVITY ID TO BE LOCATED AS SHOWN
  - NON-FUNCTIONAL CORING IS SUBJECTED TO CHANGES WITHOUT NOTICE
  - DATECODE TO BE LOCATED APPROXIMATELY AS SHOWN
  - PLATING ID MARKING FOR DIFFERENT PLATING OPTIONS TO BE LOCATED AFTER DATE CODE AS SHOWN



RECOMMENDED PCB LAYOUT  
GENERAL TOLERANCE ±0.05

CIRCUIT IDENTIFICATION

DIM E  
(PIN LENGTH - REFER TO PART NUMBER LEGEND)



THIS DRAWING CONTAINS INFORMATION THAT IS PROPRIETARY TO MOLEX ELECTRONIC TECHNOLOGIES, LLC AND SHOULD NOT BE USED WITHOUT WRITTEN PERMISSION									
DIMENSION UNITS: mm		SCALE:		CURRENT REV DESC: ADD CIRCULAR DIM PCB				<b>molex</b>	
GENERAL TOLERANCES (UNLESS SPECIFIED)		ANGULAR TOL ± 3.0°		EC NO: 606008					
4 PLACES ±		3 PLACES ±		DRWN: GJEEVANSURES 2018/10/16		2018/10/16		2MM PITCH MILLIGRID BMI VERTICAL HEADER	
2 PLACES ± 0.25		1 PLACE ±		CHK'D: SCS02 2018/10/16		2018/10/16		PRODUCT CUSTOMER DRAWING	
0 PLACES ±		THIRD ANGLE PROJECTION		DRAWING: A3-SIZE		SERIES: 151013		DOCUMENT NUMBER: SD-151013-0001	
DRAFT WHERE APPLICABLE MUST REMAIN WITHIN DIMENSIONS		DRAWING: A3-SIZE		SERIES: 151013		MATERIAL NUMBER: GENERAL MARKET		DOC TYPE: PSD	
FORMAT: master-b-prod-A3		REVISION: 11		DATE: 2018/01/18		CUSTOMER: GENERAL MARKET		DOC PART: 000	
REVISION: 11		DATE: 2018/01/18		DATE: 2018/07/26		DATE: 2018/07/17		REVISION: A3	
DOCUMENT STATUS: P1		RELEASE DATE: 2018/10/16 12:56:51		SHEET NUMBER: 1 OF 2					

ASSEMBLY PART NUMBER	CKT SIZE	DIM A	DIM B	DIM C	DIM D	DIM F
151013-XX04	4	4.85	11.05	2.00	7.15	9.25
151013-XX06	6	6.85	13.05	4.00	9.15	11.25
151013-XX08	8	8.85	15.05	6.00	11.15	13.25
151013-XX10	10	10.85	17.05	8.00	13.15	15.25
151013-XX12	12	12.85	19.05	10.00	15.15	17.25
151013-XX14	14	14.85	21.05	12.00	17.15	19.25
151013-XX16	16	16.85	23.05	14.00	19.15	21.25
151013-XX18	18	18.85	25.05	16.00	21.15	23.25
151013-XX20	20	20.85	27.05	18.00	23.15	25.25

### PART NUMBER LEGEND


151013-XXXX

PLATING OPTIONS:

CIRCUIT SIZE

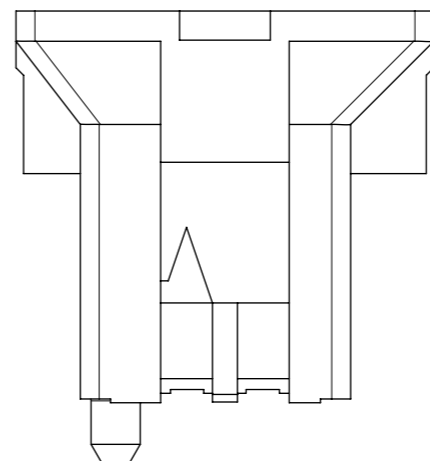
DIM E - PIN LENGTHS:

- 0: 2.60mm
- 1: 4.00mm
- 2: 3.00mm
- 3: 3.50mm
- 4: 4.50mm
- 5: 2.10mm

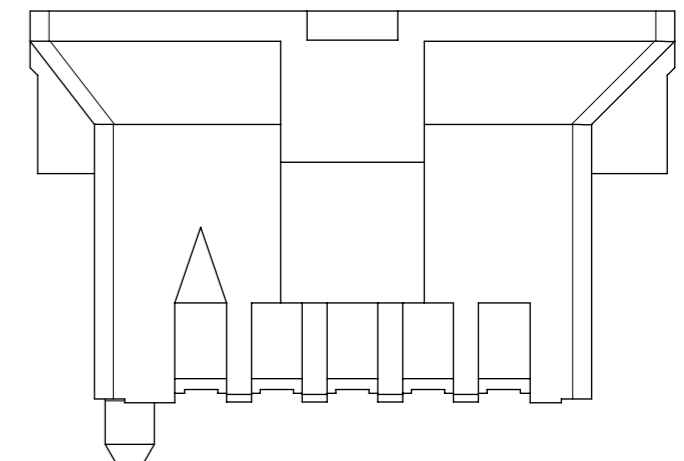
PLATING THICKNESS	PLATING ID MARK 
2: 0.76µm MIN. GOLD ON CONTACT, 1.27µm MATTE TIN ON SOLDERTAIL OVER 1.27µm MIN. NICKEL UNDERPLATE OVERALL	
3: 0.38µm MIN. GOLD ON CONTACT, 1.27µm MATTE TIN ON SOLDERTAIL OVER 1.27µm MIN. NICKEL UNDERPLATE OVERALL	/
4: 0.05µm MIN. GOLD FLASH ON CONTACT, 1.27µm MATTE TIN ON SOLDERTAIL OVER 1.27µm MIN. NICKEL UNDERPLATE OVERALL	<
5: 2.50µm MIN. MATTE TIN ON CONTACT, 1.27µm MATTE TIN ON SOLDERTAIL OVER 1.27µm MIN. NICKEL UNDERPLATE OVERALL	

A2

### CIRCUIT IDENTIFICATION ON HOUSING


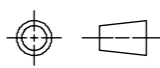


FOR 4 & 6 CIRCUITS



FOR 8 TO 20 CIRCUITS

THIS DRAWING CONTAINS INFORMATION THAT IS PROPRIETARY TO MOLEX ELECTRONIC TECHNOLOGIES, LLC AND SHOULD NOT BE USED WITHOUT WRITTEN PERMISSION

ADD CIRCULAR DIM PCB EC NO: 606008 DRWN: GJEEVANSURES CHK'D: SCS02 REV APPR: ISHWARG	2018/10/16	2018/10/16	2018/10/16	GENERAL TOLERANCES (UNLESS SPECIFIED)		DIMENSION UNITS	SCALE	 2MM PITCH MILLIGRID BMI VERTICAL HEADER			
				ANGULAR TOL ± 3.0 °		mm	NTS				
	4 PLACES	±	RMV02		DATE		PRODUCT CUSTOMER DRAWING				
	3 PLACES	±	CGOH		DATE						
	2 PLACES	± 0.25	ISHWARG		DATE						
1 PLACE	±	DRAWING SIZE		THIRD ANGLE PROJECTION		SERIES: 151013    MATERIAL NUMBER: SEE TABLE    CUSTOMER: GENERAL MARKET					
0 PLACES	±	A3				DOCUMENT NUMBER: SD-151013-0001    DOC TYPE: PSD    DOC PART: 000    SHEET NUMBER: 2 OF 2					

RELEASE STATUS	RELEASE DATE
----------------	--------------