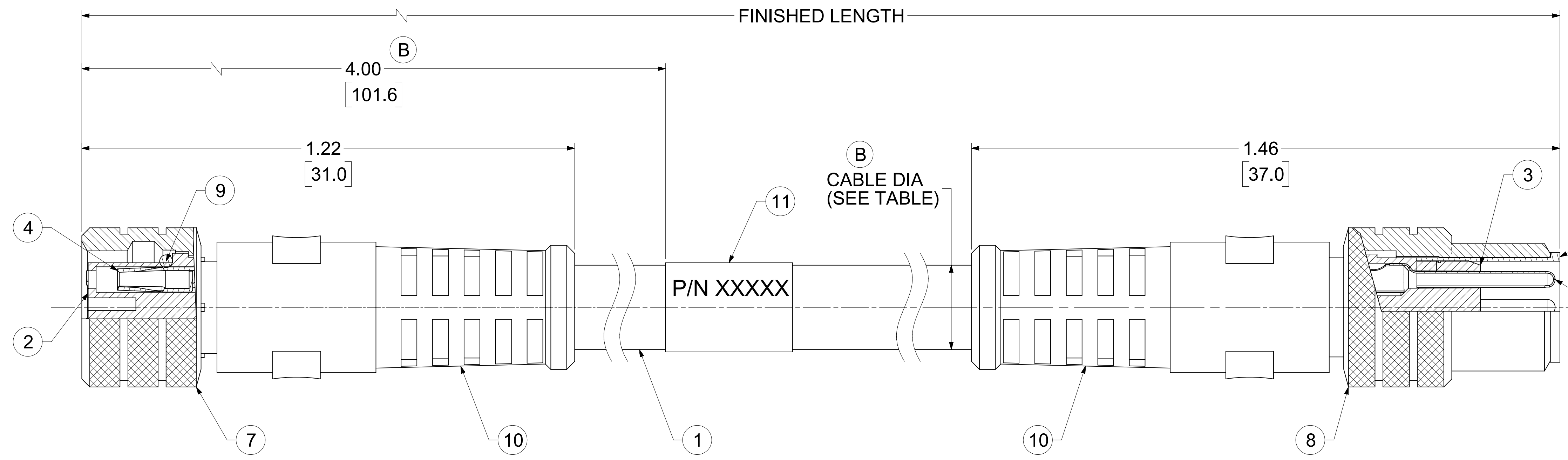
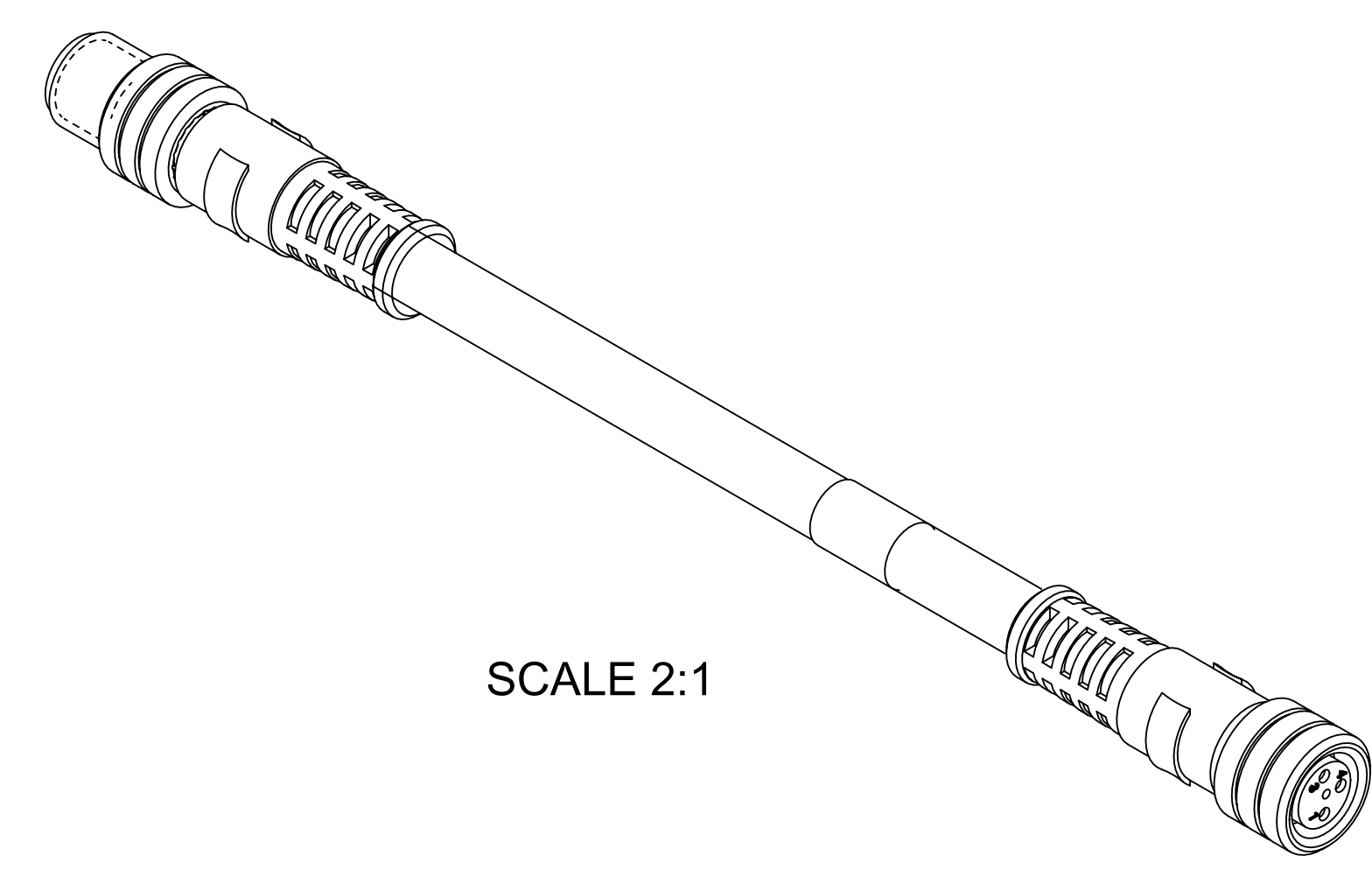


| MATERIAL NO. | ENGINEERING NO. | FINISHED LENGTH    |
|--------------|-----------------|--------------------|
| 1200870074   | 443030A10M010   | 1M [3 FT 3 IN]     |
| 1200870098   | 444030A10M050   | 5M [16 FT 5 IN]    |
| 1200871070   | 445030A10M160   | 16M [52 FT 5.9 IN] |

| FEMALE INSERT FRONT VIEW     |   |   | MALE INSERT FRONT VIEW       |   |   |
|------------------------------|---|---|------------------------------|---|---|
| 3 POLE                       | 4 POLE                                  | 5 POLE  | 3 POLE                       | 4 POLE                                  | 5 POLE  |
|                              |   |   |                              |   |   |
| 1 BROWN<br>3 BLUE<br>4 BLACK | 1 BROWN<br>2 WHITE<br>3 BLUE<br>4 BLACK | 1 BROWN<br>2 WHITE<br>3 BLUE<br>4 BLACK<br>5 GREY | 1 BROWN<br>3 BLUE<br>4 BLACK | 1 BROWN<br>2 WHITE<br>3 BLUE<br>4 BLACK | 1 BROWN<br>2 WHITE<br>3 BLUE<br>4 BLACK<br>5 GREY |



- NOTES:
1. MATERIAL: AS NOTED
  2. FINISH: AS NOTED
  3. ELECTRICAL:  
VOLTAGE: 60VAC/75VDC  
CURRENT: 4A (3&4 POLE), 3A (5 POLE)
  4. TEMP RATING: -20°C TO +105°C
  5. PROTECTION: IP67 (WHEN MATED)
  6. COUPLING THREAD: M8x1
  7. UL LISTED FILE: E152210  
CSA CERTIFIED FILE: LR6837
  8. ALL DIMS ARE FOR REFERENCE UNLESS TOLERANCED OR NOTED OTHERWISE

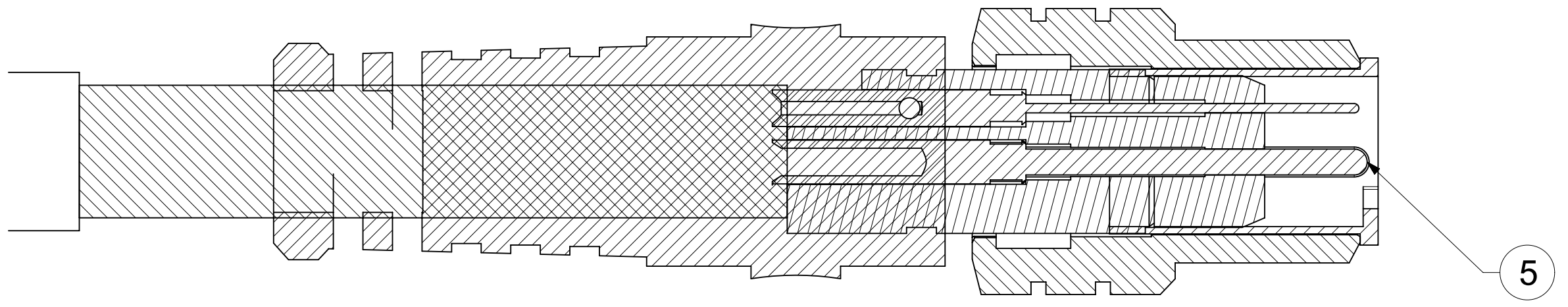
**PART NUMBER LEGEND**

**443030A10M050**

- 3- 3 POLES
- 4- 4 POLES
- 5- 5 POLES

FINISHED LENGTH  
M001 = .1 METER  
M010 = 1 METER  
M100 = 10 METER

A240= 24 INCHES  
F001= .1 FT  
F020= 2 FT  
F200= 20 FT



| ITEM | DESCRIPTION             | MATERIAL   | FINISH           |
|------|-------------------------|------------|------------------|
| 11   | WRAP LABEL              | VINYL      | BLACK/YELLOW     |
| 10   | OVERMOLD                | TPC        | YELLOW           |
| 9    | GASKET                  | VITON      | RED              |
| 8    | MALE COUPLING NUT       | BRASS      | NICKEL PLATED    |
| 7    | FEMALE COUPLING NUT     | BRASS      | NICKEL PLATED    |
| 6    | MALE SLEEVE             | BRASS      | COPPER/NICKEL    |
| 5    | PIN CONTACT             | Cu ALLOY   | GOLD OVER NICKEL |
| 4    | SOCKET CONTACT          | Cu ALLOY   | GOLD OVER NICKEL |
| 3    | MALE INSERT             | PUR        | BLACK            |
| 2    | FEMALE INSERT           | PUR        | BLACK            |
| 1    | CABLE, 3-5P, 24AWG, PVC | PVC JACKET | YELLOW           |

| POLES | CABLE DIA. |
|-------|------------|
| 3     | 0.17       |
| 4     | 0.18       |
| 5     | 0.20       |

**CABLE LENGTH TOLERANCES**

<.3M [1FT]: +19mm-0 [+1.75in-0]  
.3 - .9M [1 - 3FT]: +44.5mm-0 [+1.75in-0]  
.9 - 1.8M [3 - 6FT]: +55.6mm-0 [+2.19in-0]  
1.8 - 3.7M [6 - 12FT]: +88.9mm-0 [+3.50in-0]  
3.7 - 7.3M [12 - 24FT]: +165.1mm-0 [+6.50in-0]  
7.3-14.6M [24 - 48FT]: +317.5mm-0 [+12.50in-0]  
14.6 - 30.5M [48-100FT]: +622.3mm-0 [+24.50in-0]  
OVER 30M [100FT] +2% OF FINISHED LENGTH

|  |   |                        |  |                |
|--|---|------------------------|--|----------------|
| FUNCTIONAL SYMBOLS                                   | THIS DRAWING CONTAINS INFORMATION THAT IS PROPRIETARY TO MOLEX ELECTRONIC TECHNOLOGIES, LLC AND SHOULD NOT BE USED WITHOUT WRITTEN PERMISSION |                        | CURRENT REV DESC: ITEM 10 WAS TPE & MATERIAL TABLE. ADDED STD. NOTES, PART NUMBER LEGEND, TOL. TABLE, CABLE DIA. REMOVED 4&5 POLE INFO TO CREATE SEPARATE PSD. |                |
| INCH/MM  | SCALE   | 6:1                    | EC NO: 701162  |                |
| GENERAL TOLERANCES (UNLESS SPECIFIED)                |   | 2021/09/23             |  | DRW: AKABADI   |
| 4 PLACES ±   |   | 2022/03/30             |  |                |
| 3 PLACES ±   |   | 2022/04/08             |  | CHK'D: RSTONE  |
| 2 PLACES ±   |   | INITIAL REVISION:      |  | APPR: BWOODMAN |
| 1 PLACE ±  |   | DRWN: NKUMAR01         |  | 16/07/09       |
| 0 PLACES ±   |   | APPR: JFMURPHY         |  | 16/07/09       |
| ANGULAR TOL ± °                                      |   | THIRD ANGLE PROJECTION |  | DRAWING        |
| DRAFT WHERE APPLICABLE MUST REMAIN WITHIN DIMENSIONS |   | D-SIZE                 |  | 120087         |
| SERIES   |   | MATERIAL NUMBER        |  | CUSTOMER       |
| SD-120087-092  |   | PSD 001                |  | B              |
| DOCUMENT NUMBER                                      |   | DOC TYPE               |  | REVISION       |
| GENERAL MARKET                                       |   | SHEET NUMBER           |  | 1 OF 1         |