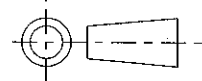


ISS.	DATE	E.C.N.	DESCRIPTION
1	17-Aug-06		FIRST ISSUE
1A	26-Jan-11	10/09/1254	DIM. TOLLERANCES CHANGED + NOTE ADDED + SEC: A-A ADDED

© 2010 CTP-COIL  
ALL DIMENSIONS IN mm



CARCLO TECHNICAL PLASTICS (SLOUGH)  
111 BUCKINGHAM AVE, SLOUGH  
SL1 4PF, ENGLAND  
TEL: +44 1753 575011 FAX: +44 1753 811359  
e-mail: design@carclo-optics.com}

CUSTOMER DRAWING

- NOTES:  
1. MATERIAL - UV STABILISED POLYCARBONATE  
2. INCLUSIONS SPECIFIED TO BS4301

GENERAL TOLERANCES (UNLESS STATED)

LINEAR	ANGULAR
X +/- 0.25	X +/- 1°
X.X +/- 0.1	X.X +/- 0.5°
X.XX +/- 0.05	X.XX +/- 0.1°

CUSTOMER

CARCLO

TITLE

LINEAR 1.4MM OFFSET FOCUS  
20 MM DIA OPTIC

DRAWN

AJD

DATE

17-Aug-06

CHK'D

DATE

APP'D

DATE

SCALE

2:1

CARCLO PART No.

10203

SIZE

A4

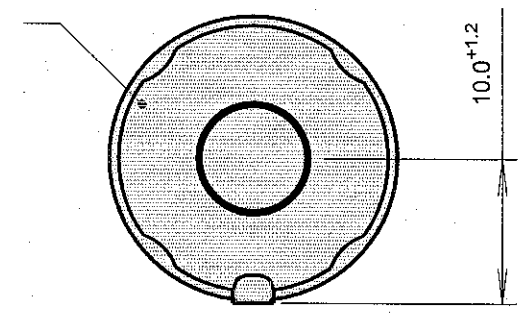
CARCLO DRG. No.

60436

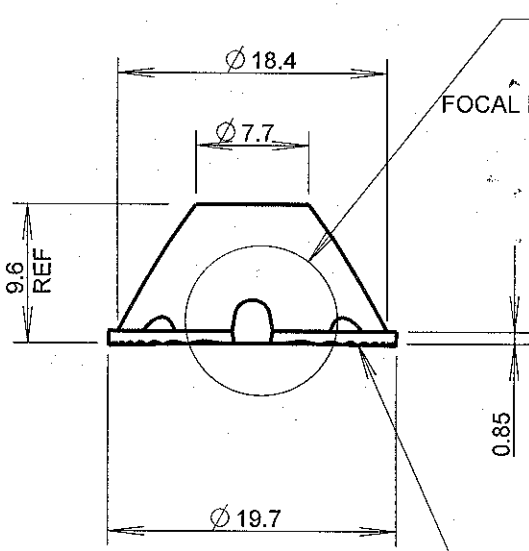
SHEET

2 OF 2

1/1 X 200 X T



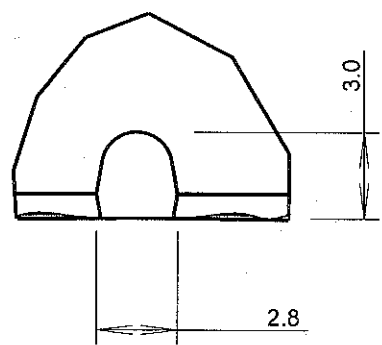
3D VIEW  
SCALE 1:1



SEE DETAIL A

FOCAL PLANE

LINEAR RIPPLE



DETAIL A  
SCALE 4:1