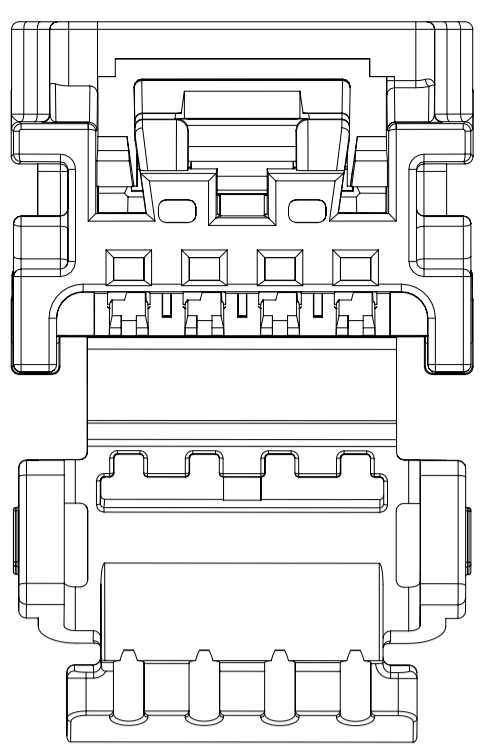
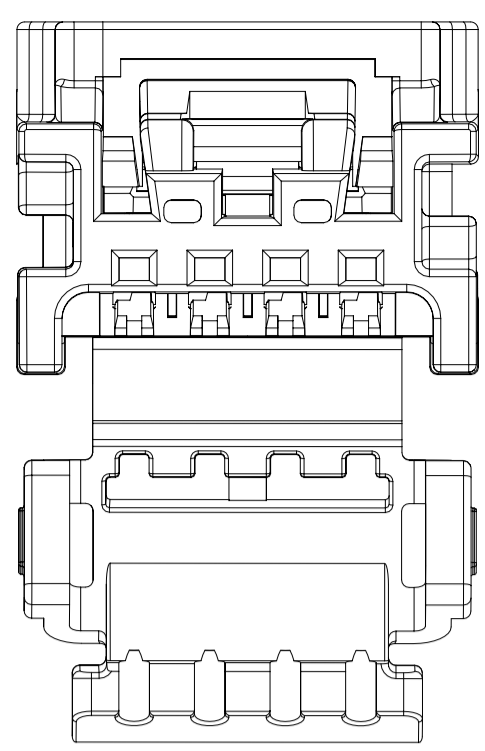


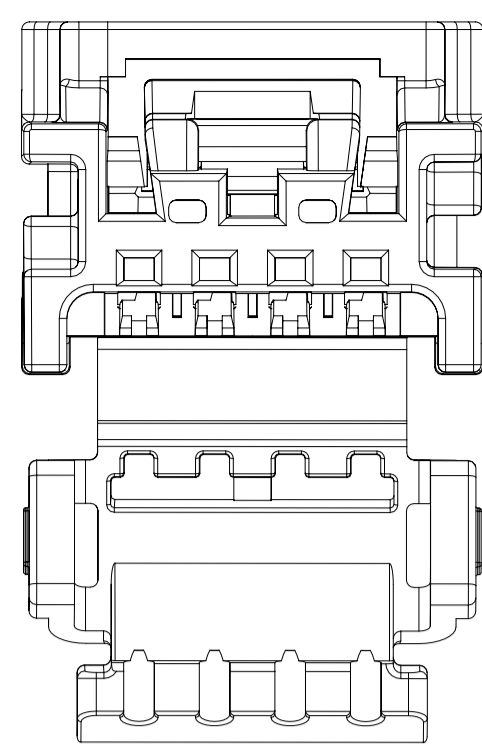
4CKT BRIDGED RECEPTACLE WITH CPA POLARIZATION OPTION A



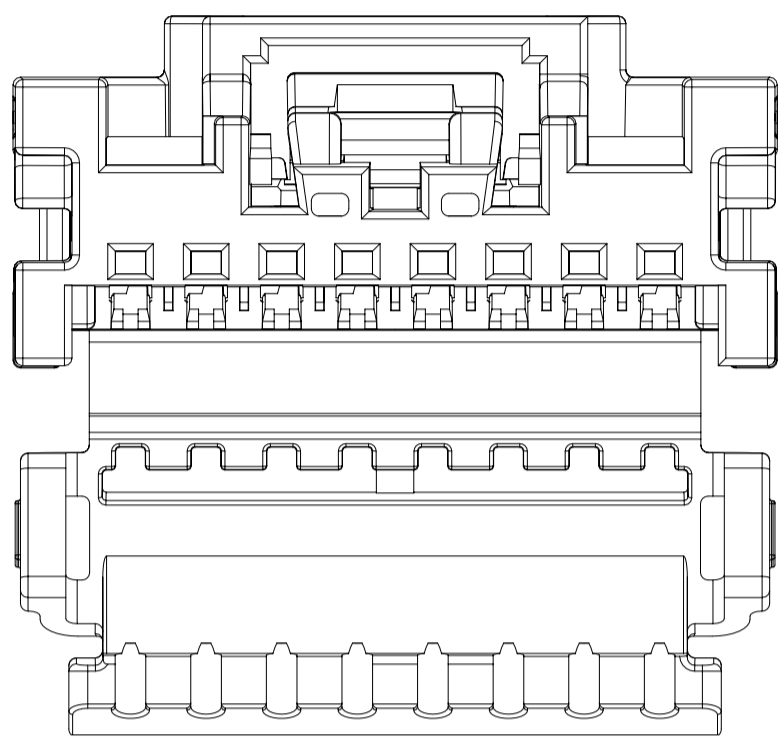
4CKT BRIDGED RECEPTACLE WITH CPA POLARIZATION OPTION B



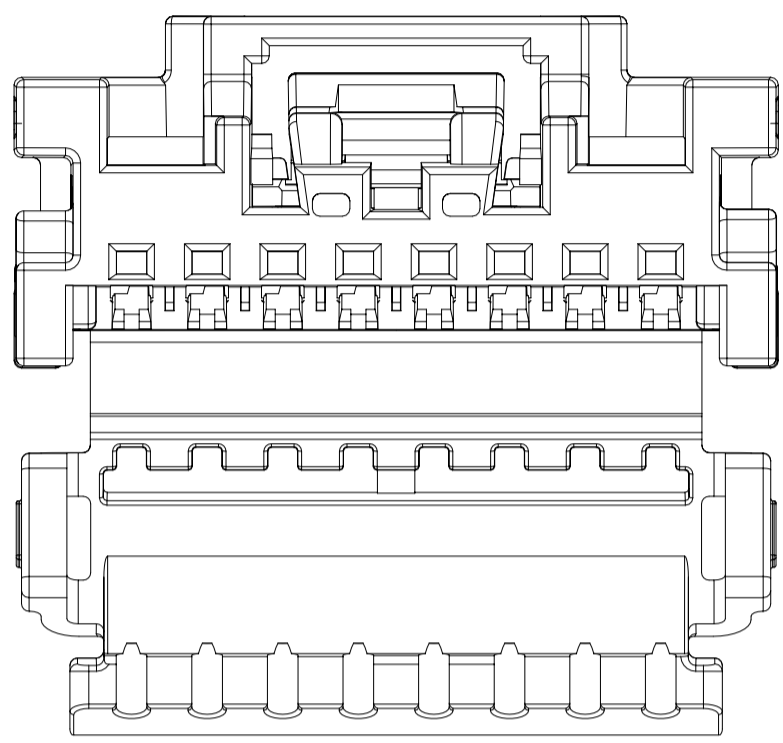
4CKT BRIDGED RECEPTACLE WITH CPA POLARIZATION OPTION C



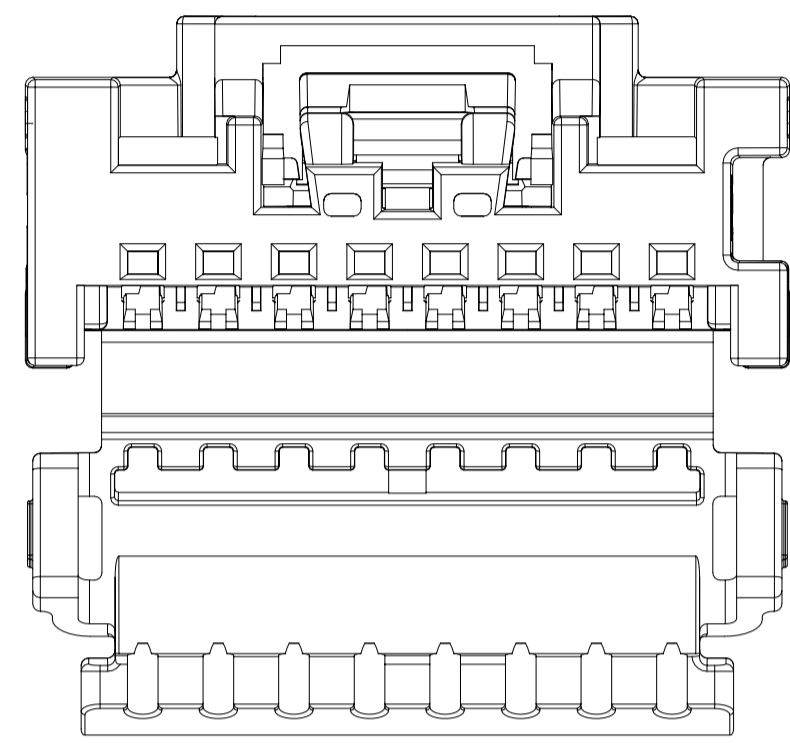
4CKT BRIDGED RECEPTACLE WITH CPA POLARIZATION OPTION D



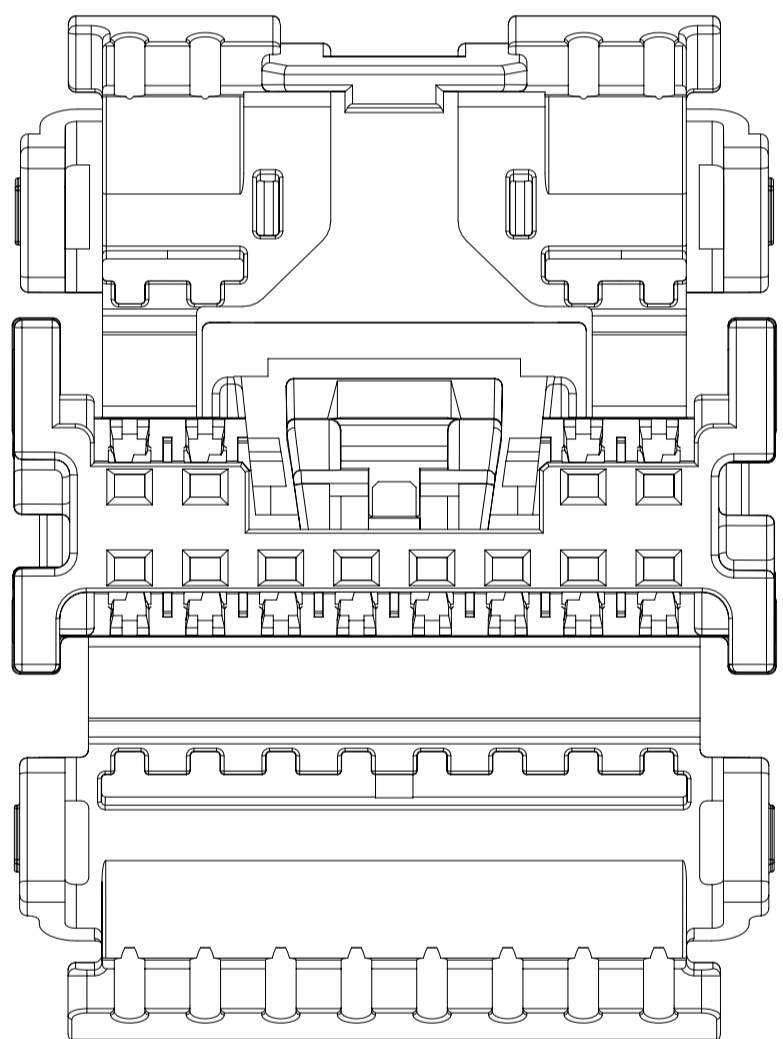
8CKT BRIDGED RECEPTACLE WITH CPA POLARIZATION OPTION A



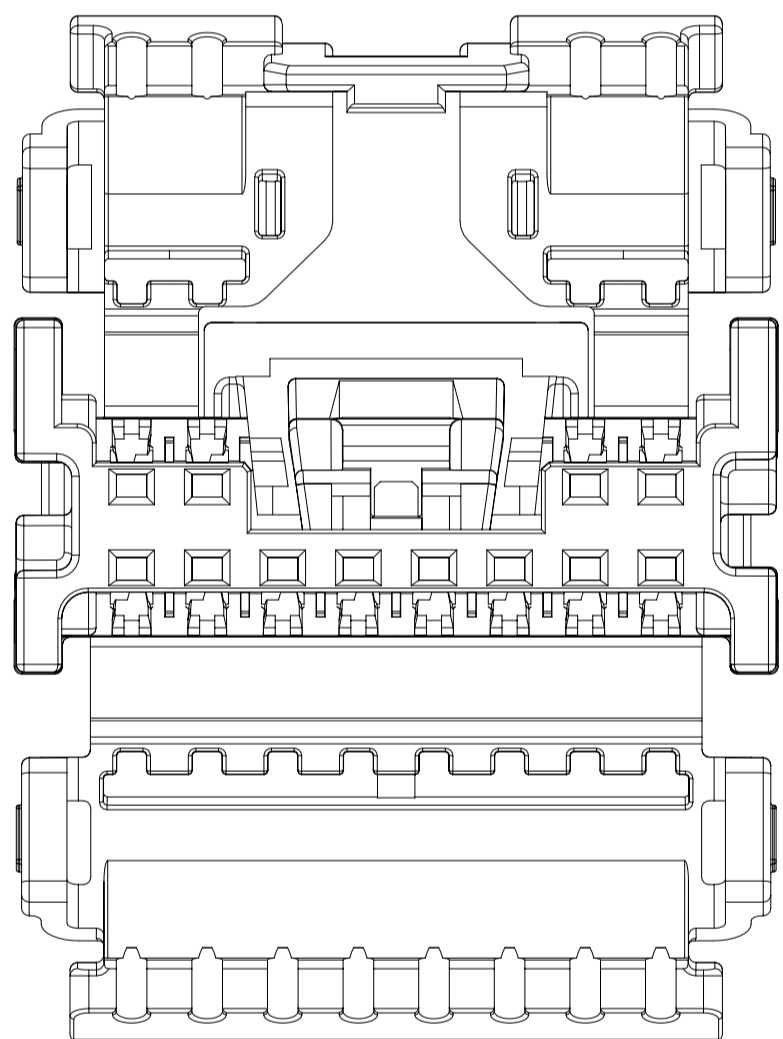
8CKT BRIDGED RECEPTACLE WITH CPA POLARIZATION OPTION B



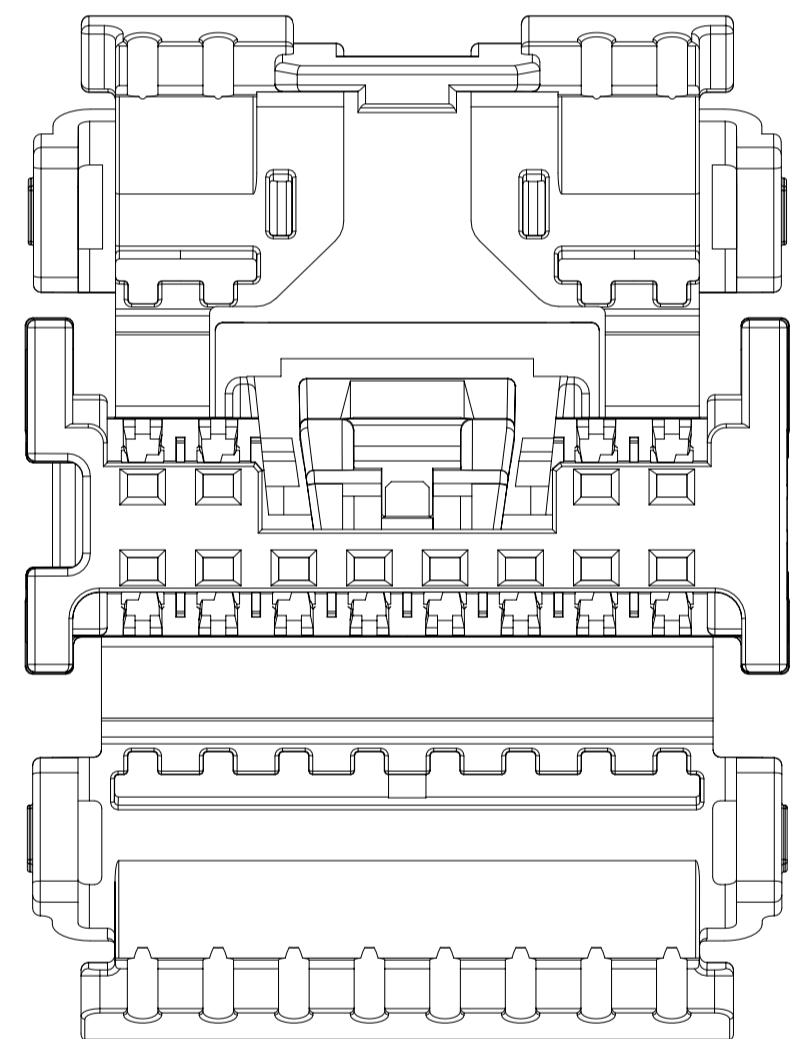
8CKT BRIDGED RECEPTACLE WITH CPA POLARIZATION OPTION C



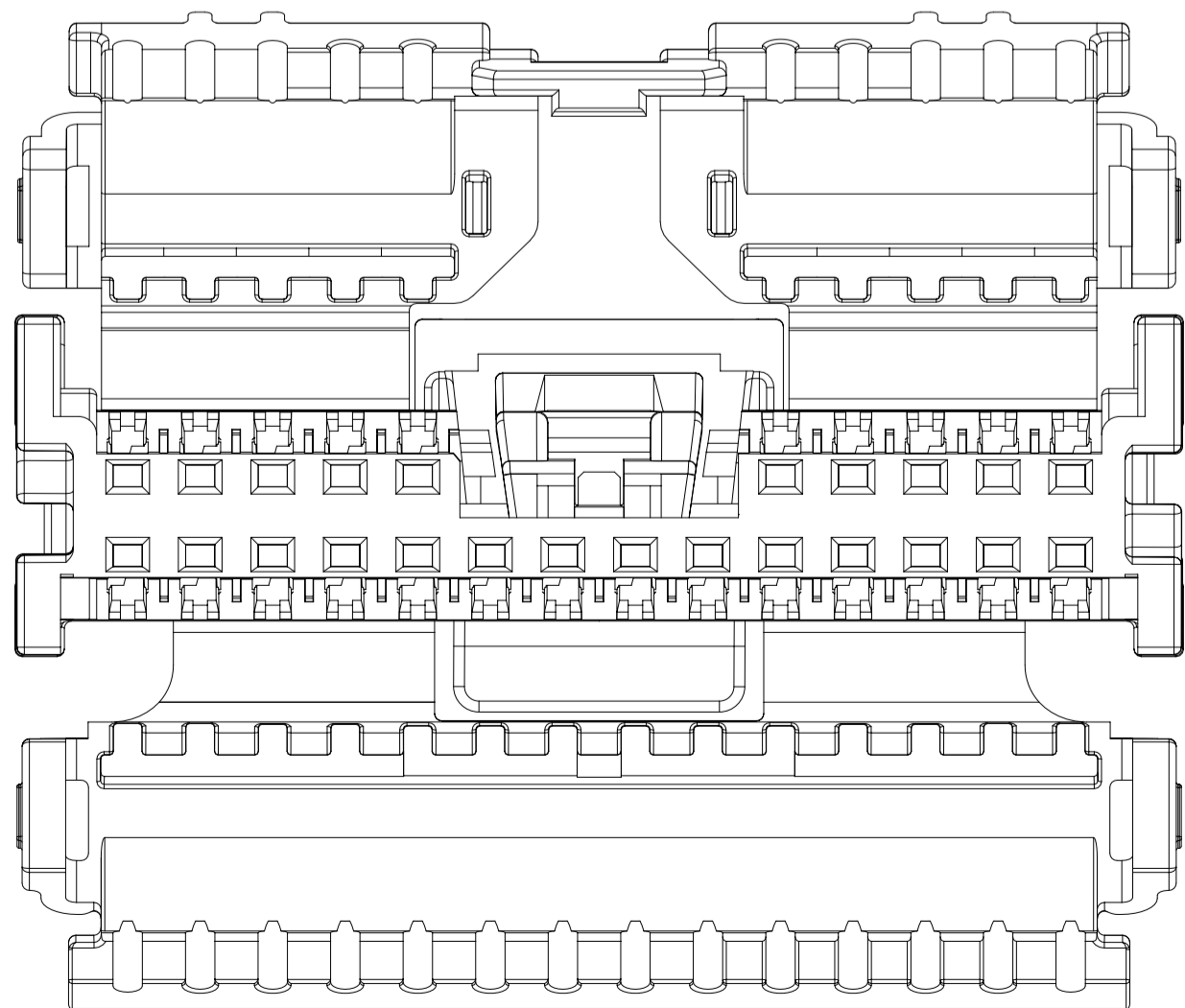
12CKT BRIDGED RECEPTACLE WITH CPA POLARIZATION OPTION A



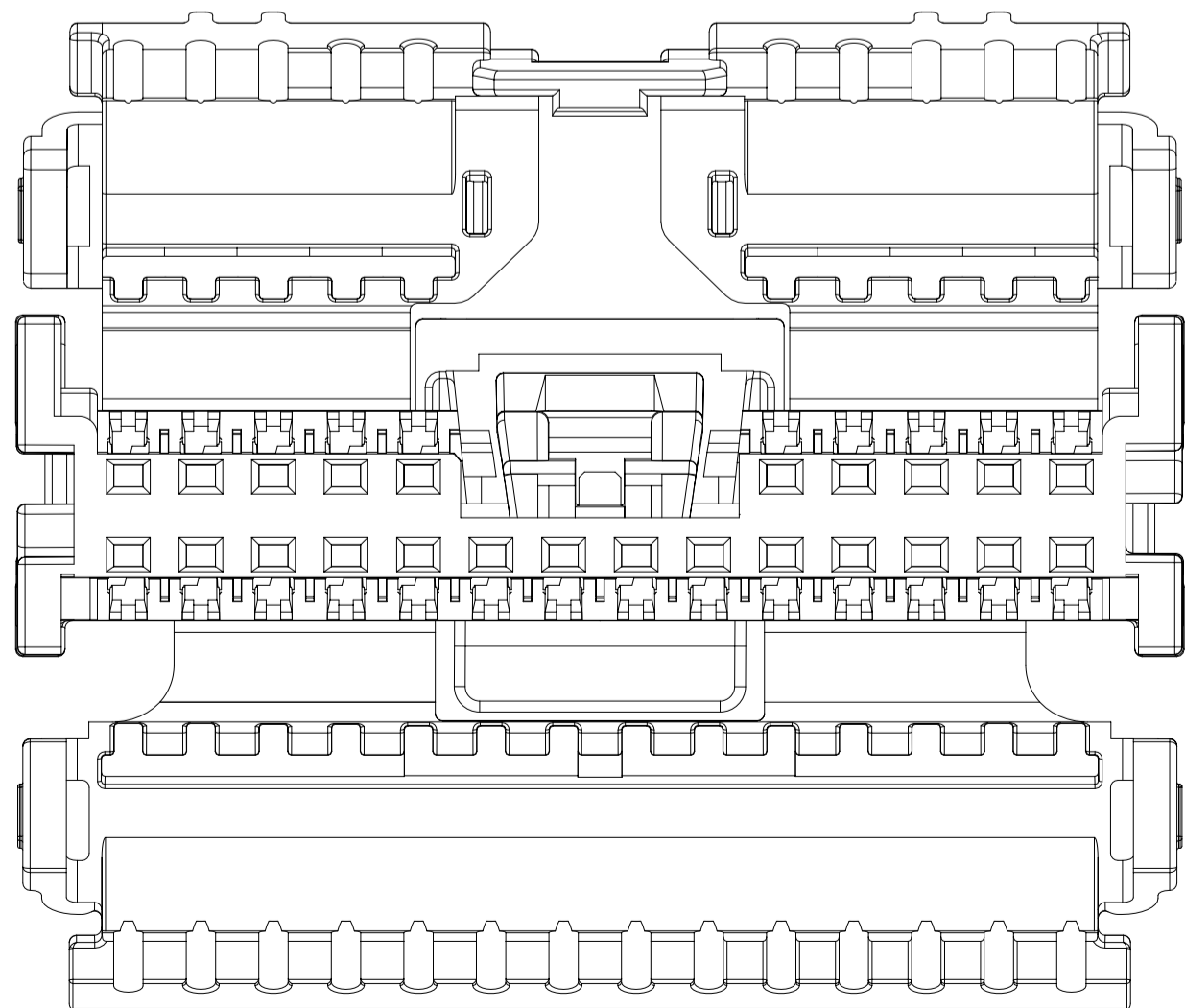
12CKT BRIDGED RECEPTACLE WITH CPA POLARIZATION OPTION B



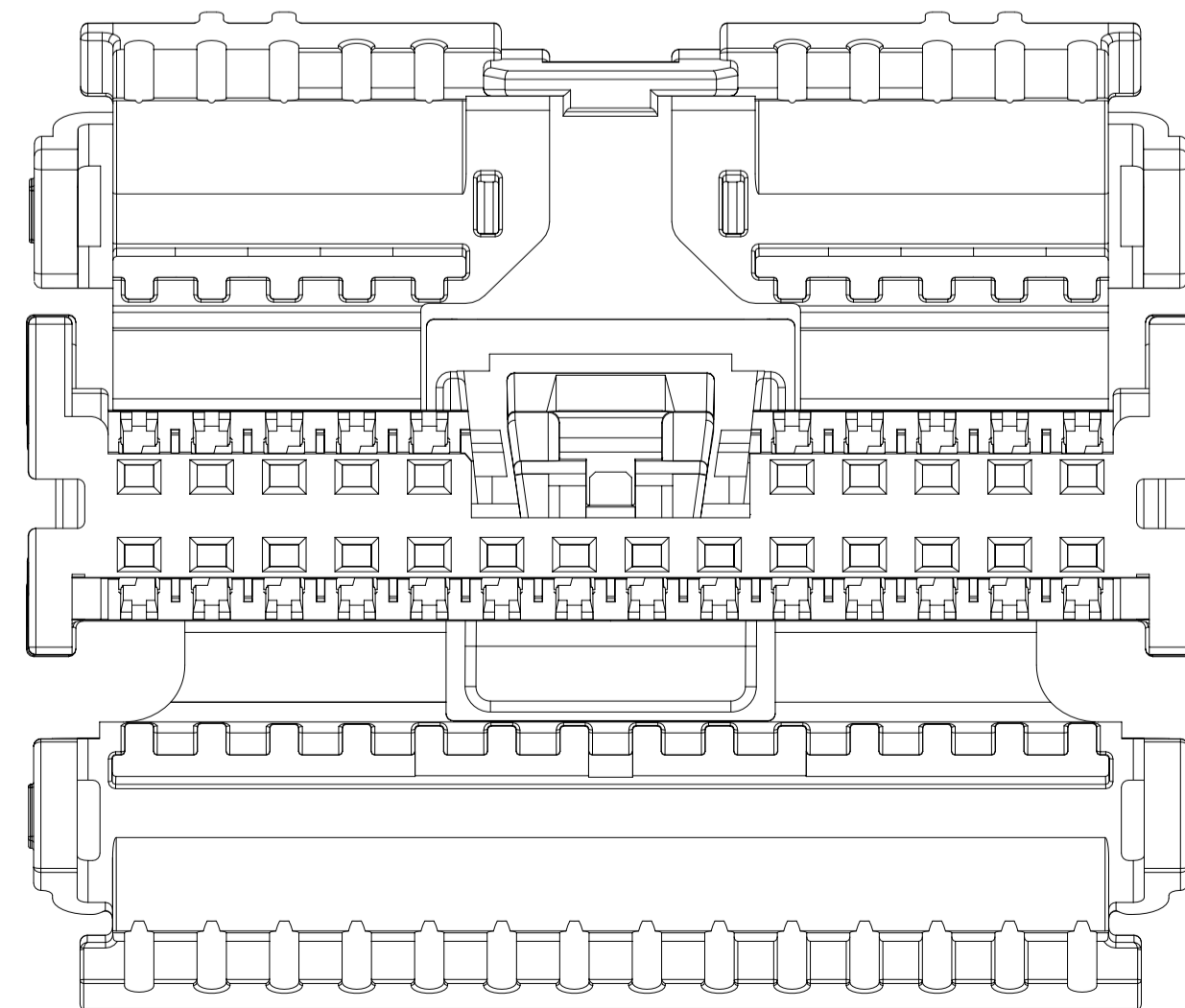
12CKT BRIDGED RECEPTACLE WITH CPA POLARIZATION OPTION C



24CKT BRIDGED RECEPTACLE WITH CPA POLARIZATION OPTION A



24CKT BRIDGED RECEPTACLE WITH CPA POLARIZATION OPTION B



24CKT BRIDGED RECEPTACLE WITH CPA POLARIZATION OPTION C

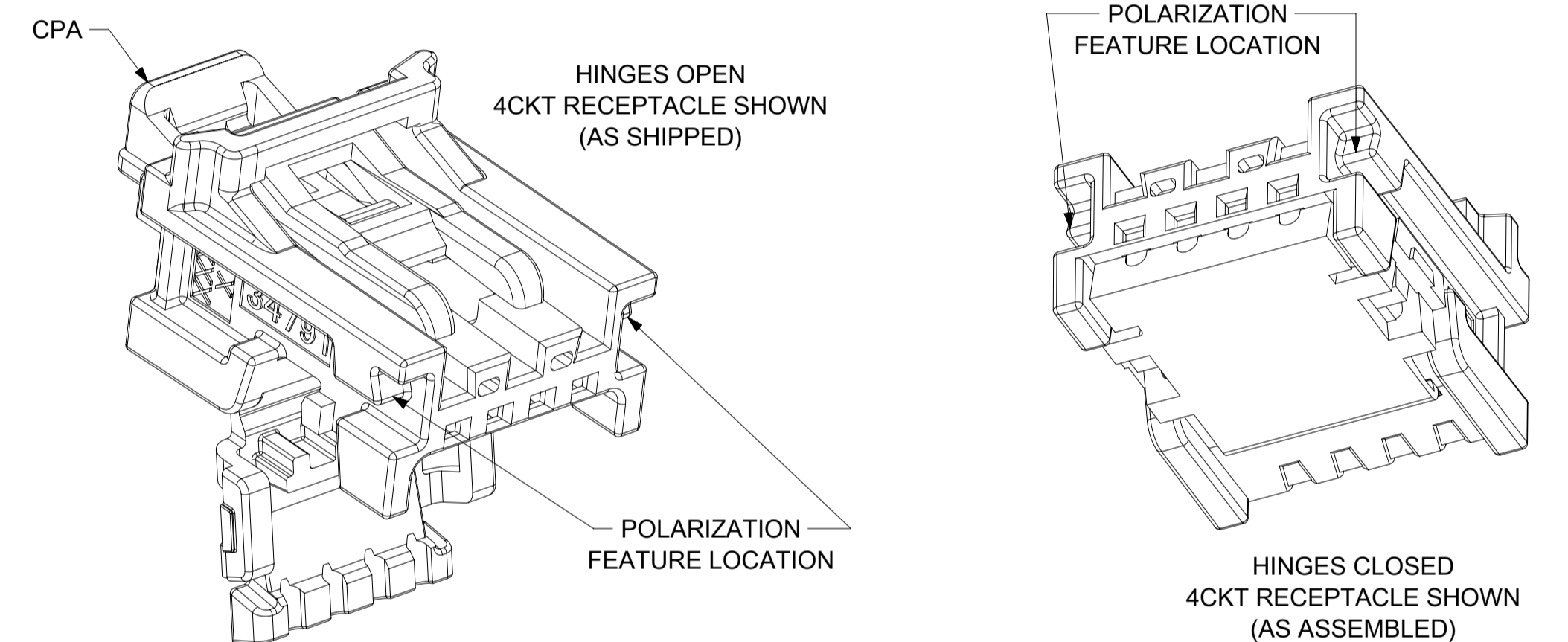
NOTES: VALID UNLESS OTHERWISE SPECIFIED

1. GENERAL:
  - a. APPLICATION SPECIFICATION SEE: AS-34791-020
  - b. PRODUCT SPECIFICATION SEE: PS-34791-020
  - c. PACKAGING SPECIFICATION PER MOLEX DRAWING: SEE CHART
  - d. PARTS MUST BE IN COMPLIANCE TO MOLEX CHEMICAL SUBSTANCES FOR PRODUCTS AND PACKAGING SPECIFICATION: QEHS-699000-301
  - e. DATA MUST BE SUBMITTED UNDER THE MOLEX PART NUMBER TO IMDS (COMPANY ID#13255)
  - f. FLAMMABILITY REQUIREMENT: PER ISO3795 OR GM3191
    1. BURN RATE 100 mm/MIN MAXIMUM
    2. MATERIAL MUST BE SELF EXTINGUISHING
  - g. VISUAL DEFECTS SHALL MEET COSMETIC STANDARD PS-45499-002 (Class B)
  - h. FOR TERMINAL USAGE, REFER TO MOLEX SALES DRAWING SD-560023-002

2. DESIGN - MATERIALS:
  - a. SEE BOM FOR MATERIAL INFORMATION

3. DESIGN - GEOMETRY:
  - a. THIS IS A 100% CAD GENERATED PART. THE CAD MATHEMATICAL DATA IS THE MASTER FOR THIS PART. FOR DIMENSIONAL OR ANY INFORMATION NOT SHOWN ON THIS DRAWING, ANALYZE THE CAD MODEL.
  - b. GEOMETRIC DIMENSIONS AND TOLERANCES PER ASME Y14.5 - 2009
  - c. GENERAL TOLERANCES:
    - LINEAR: REFER TO DRAWING FRAME
    - ANGULAR:  $\pm 3^\circ$
  - d. EDGES AND UNDIMENSIONED DETAILS PER ISO13715
  - e. CORNERS SHOWN AS SHARP TO BE R 0.2 MAX
  - f. LETTERING SHALL BE 0.1 MAX RAISED IN 0.15 MAX RECESS PAD AND NOT PROTRUDE THE SURFACE. THIS INCLUDES RECYCLING CODE, PLANT ID, CAVITY ID, VENDOR ID, CIRCUIT ID, AND PART SERIES NUMBER.
  - g. DIMENSION APPLIES ONLY TO RECEPTACLES WITH LOCK BRIDGE OPTION.

4. DESIGN - FUNCTIONALITY:
  - a. HINGE DOES NOT AFFECT FUNCTION OF THE PART.



|     |  |
|-----|--|
| M15 | SHEET1: UPDATED NOTES INFORMATION  |
| M14 | SHEET4: CHANGED RECYCLING CODE TO "XXXX" FOR DUAL ROW ONLY; WAS "PBT."   |
| M13 | SHEET 4: UPDATED GM PNs FOR 20CKT  |
| M12 | SHEET 4: UPDATE CTX50 BOM PNs FOR SMALL GRIP TERMINAL  |
| M11 | SHEET 1: REMOVED NOTE 1h<br>SHEET 4: REMOVED PBT RCPT MATING COMPONENTS FOR 16-24CKT ON BOM TABLE  |
| M10 | SHEET 1: ADDED NOTE 1h<br>SHEET 4: ADDED NOTE SYMBOL TO BOM  |
| M9  | DRAWING REMASTERED<br>SHEET 1: CORRECTED NOTE 2<br>SHEET 2-3: UPDATED VIEWS-NO GEOMETRY CHANGES<br>SHEET 4: ADDED TAPE AND REEL P/N'S TO BOM |
| M8  | DIMENSION ADDED ON SHEET 3   |
| M6  | ADDED DATUMS AND DATUM NOTE  |
| M5  | REMASTERING DRAWING  |
| M2  | UPDATED 24 CKT   |
| REV | DESCRIPTION  |

INSPECTION BALLOON LOG  
PER DRAWING REVISION: M15

LAST BALLOON USED: 21

ADDED BALLOON NUMBERS:

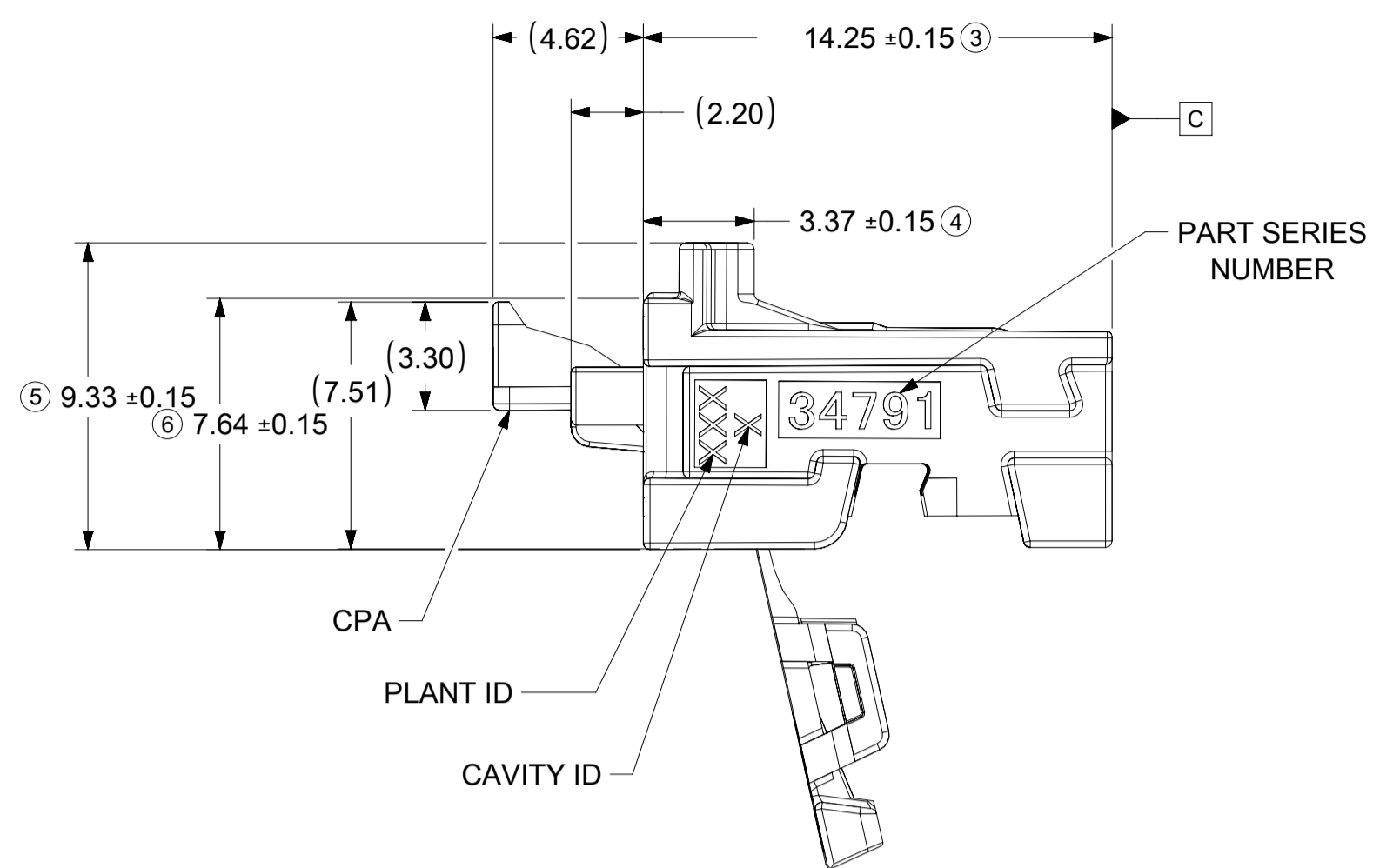
REMOVED BALLOON NUMBERS:

THIS DRAWING CONTAINS INFORMATION THAT IS PROPRIETARY TO MOLEX ELECTRONIC TECHNOLOGIES, LLC AND SHOULD NOT BE USED WITHOUT WRITTEN PERMISSION

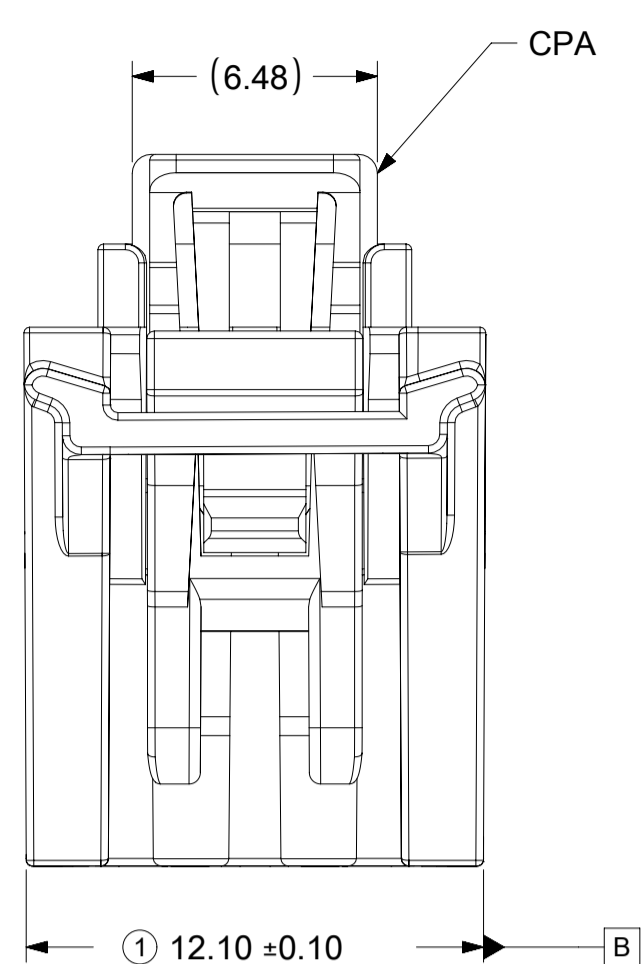
|  |       |                   |  |                                |  |  |
|--|-------|-------------------|--|--------------------------------|--|--|
| DIMENSION UNITS                                      | SCALE | CURRENT REV DESC: |  |                                |  |  |
| mm   | 5:1   | EC NO: 669840     |  |                                |  |  |
| GENERAL TOLERANCES (UNLESS SPECIFIED)                |       | DRWN: SWU31       |  | 2021/07/12                     |  |  |
| ANGULAR TOL $\pm 1.0^\circ$                          |       | CHK'D: CDZHANG    |  | 2021/07/13                     |  |  |
| 4 PLACES $\pm$                                       |       | APPR: CDZHANG     |  | 2021/07/13                     |  |  |
| 3 PLACES $\pm$                                       |       | INITIAL REVISION: |  |                                |  |  |
| 2 PLACES $\pm 0.1$                                   |       | DRWN: TMACHUGA    |  | 2013/10/15                     |  |  |
| 1 PLACE $\pm 0.2$                                    |       | APPR: RBAUMAN     |  | 2013/11/13                     |  |  |
| 0 PLACES $\pm$                                       |       | DRAWING           |  | SERIES                         |  |  |
| DRAFT WHERE APPLICABLE MUST REMAIN WITHIN DIMENSIONS |       | A1-SIZE           |  | 34824                          |  |  |
|  |       | MATERIAL NUMBER   |  | CUSTOMER                       |  |  |
|  |       | SD-34824-003      |  | GENERAL MARKET                 |  |  |
|  |       | DOCUMENT NUMBER   |  | DOC TYPE   DOC PART   REVISION |  |  |
|  |       | PSD               |  | 001   M15                      |  |  |
|  |       | SHEET NUMBER      |  | 1 OF 4                         |  |  |

24CKT POLARIZATIONS ARE REPRESENTATIVE OF 16CKT AND 20CKT

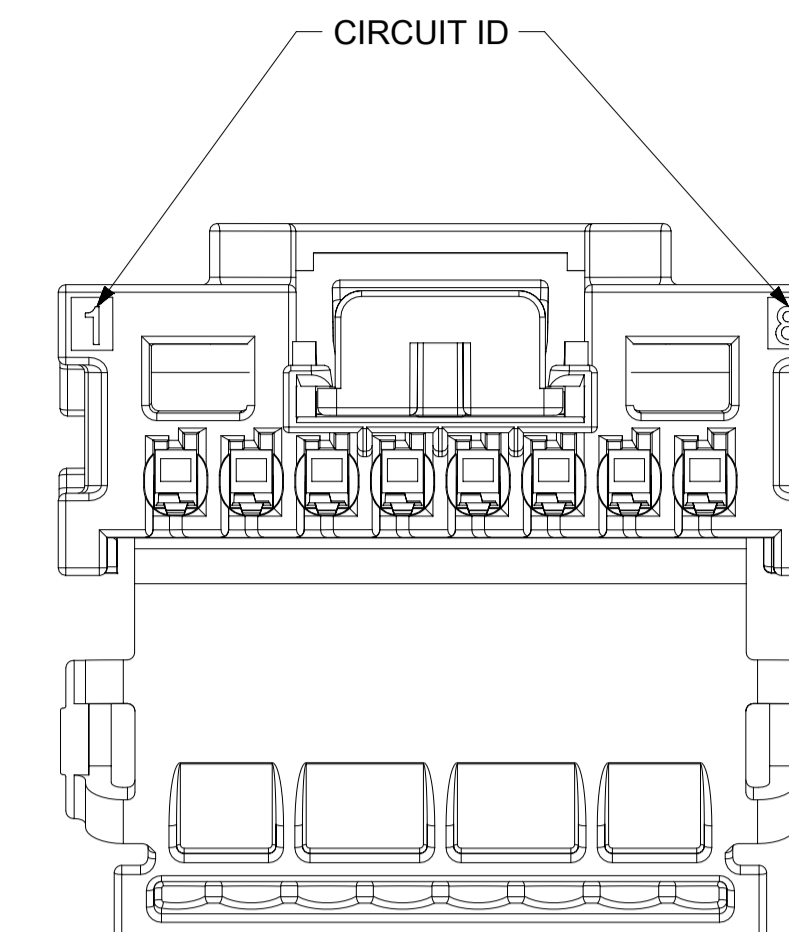
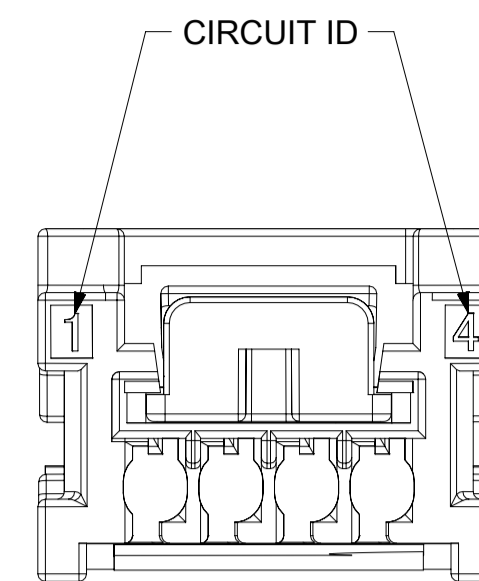
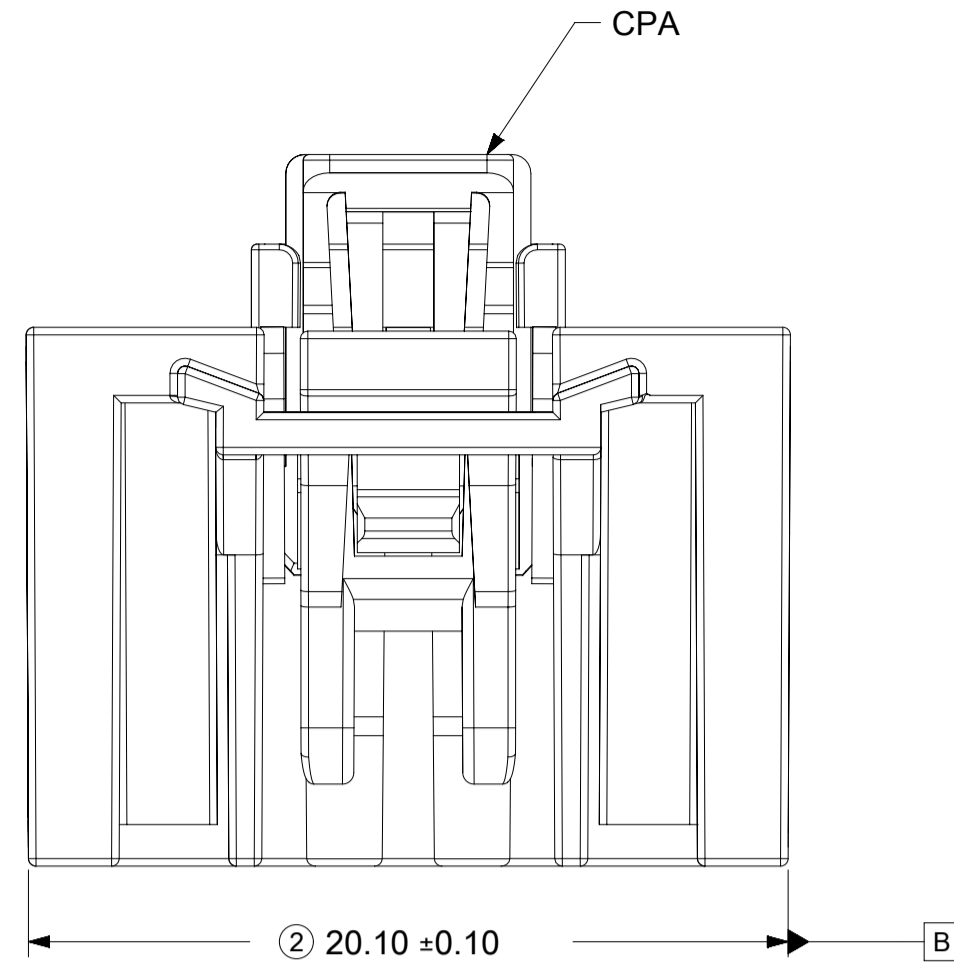
4CKT BRIDGE OPTION WITH CPA IN PRE-LOCK



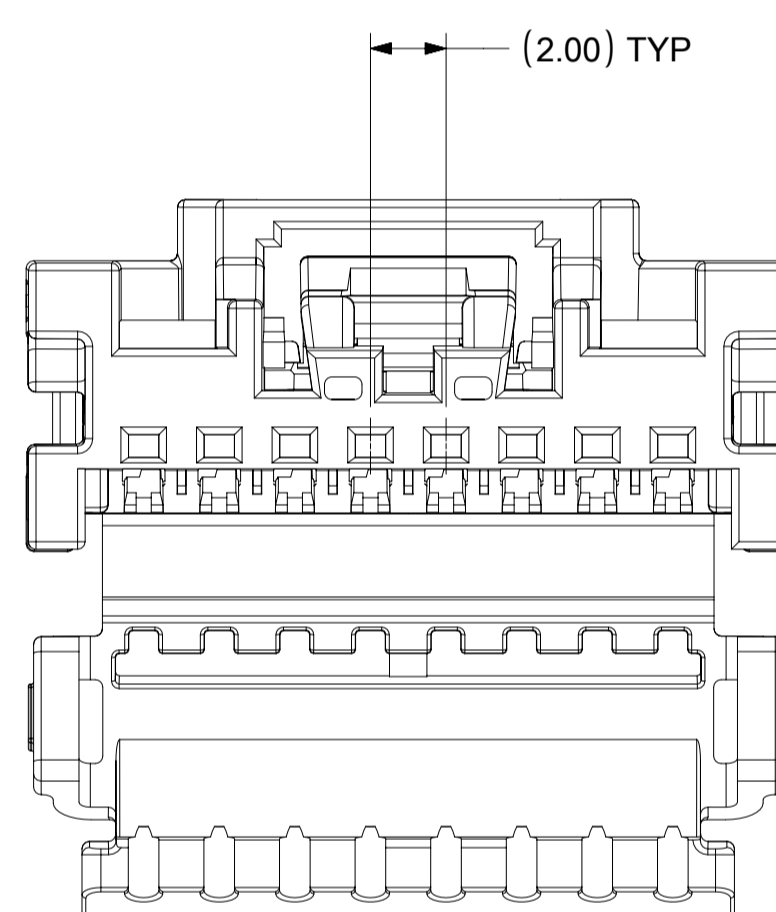
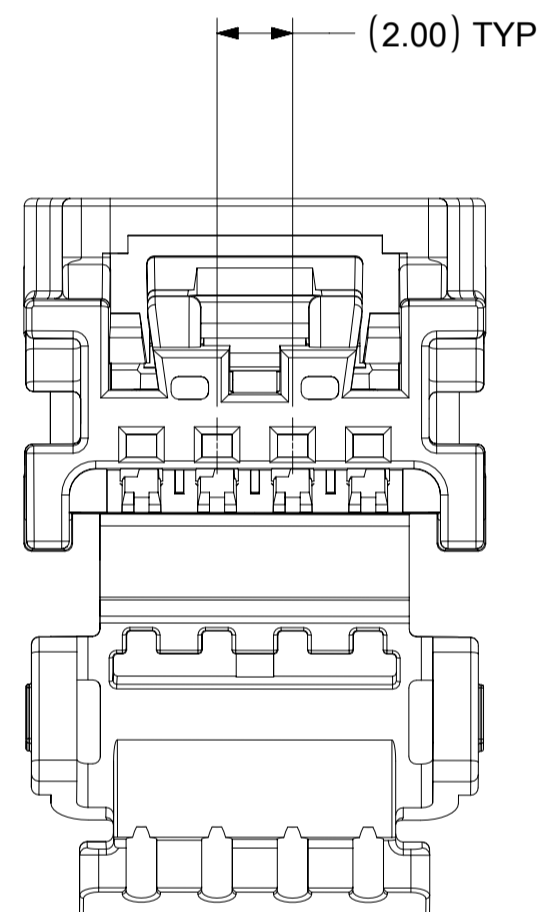
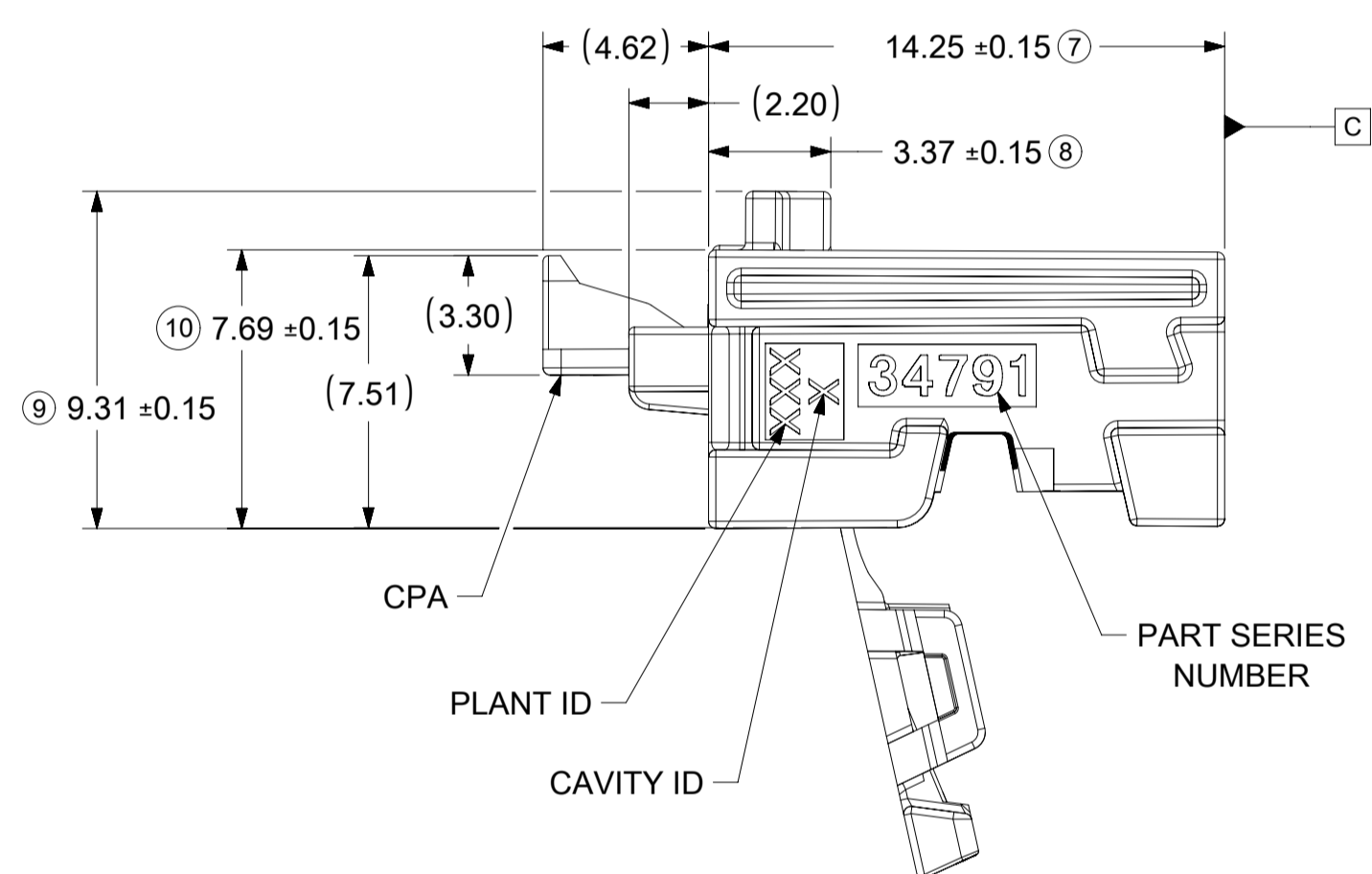
4CKT USCAR COMPATIBLE RECEPTACLE WITH CPA



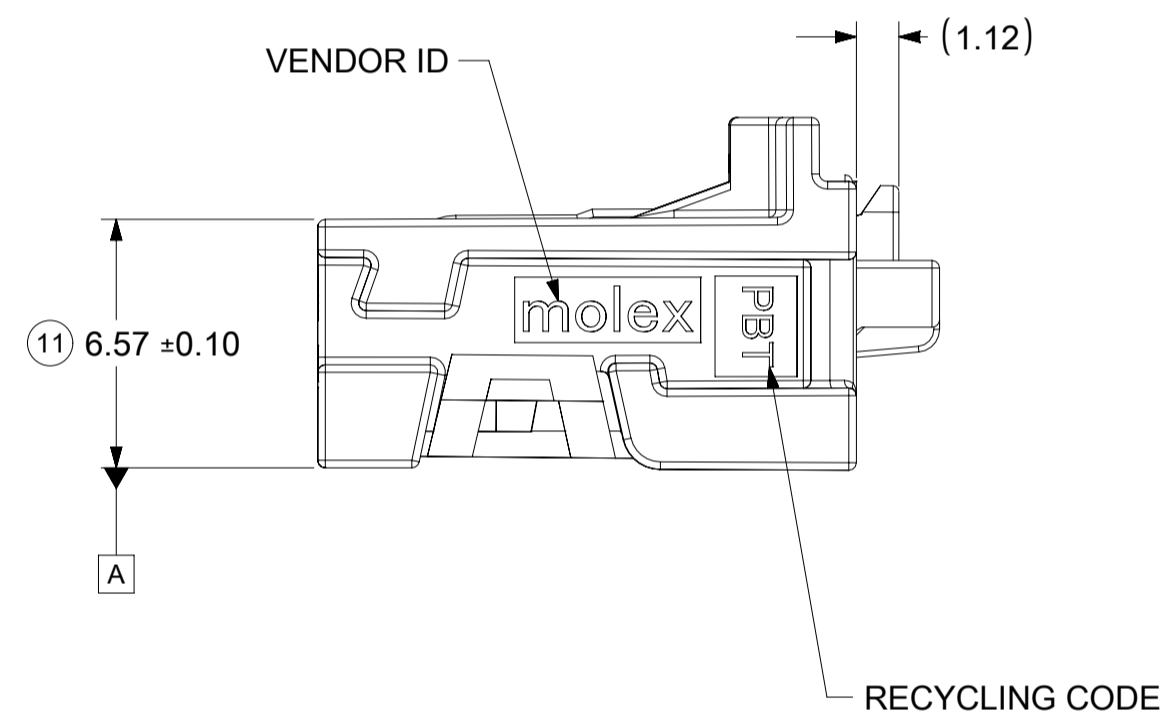
8CKT USCAR COMPATIBLE RECEPTACLE WITH CPA



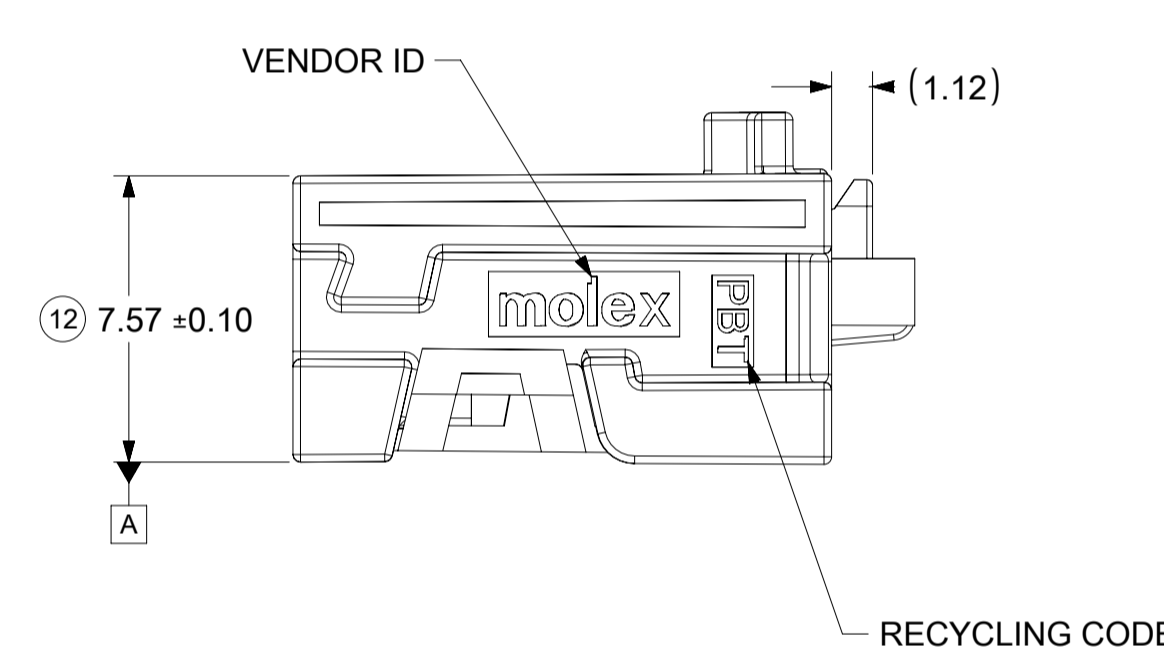
8CKT BRIDGE OPTION WITH CPA IN PRE-LOCK



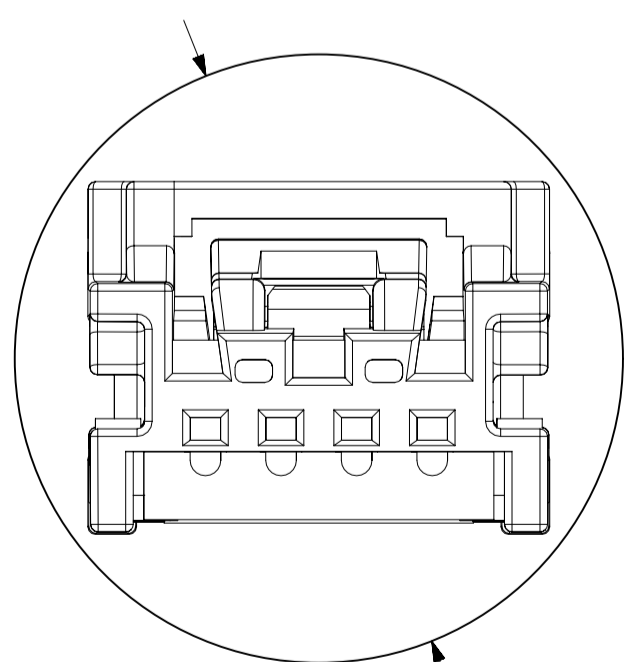
4CKT HINGE CLOSED CPA IN FINAL POSITION



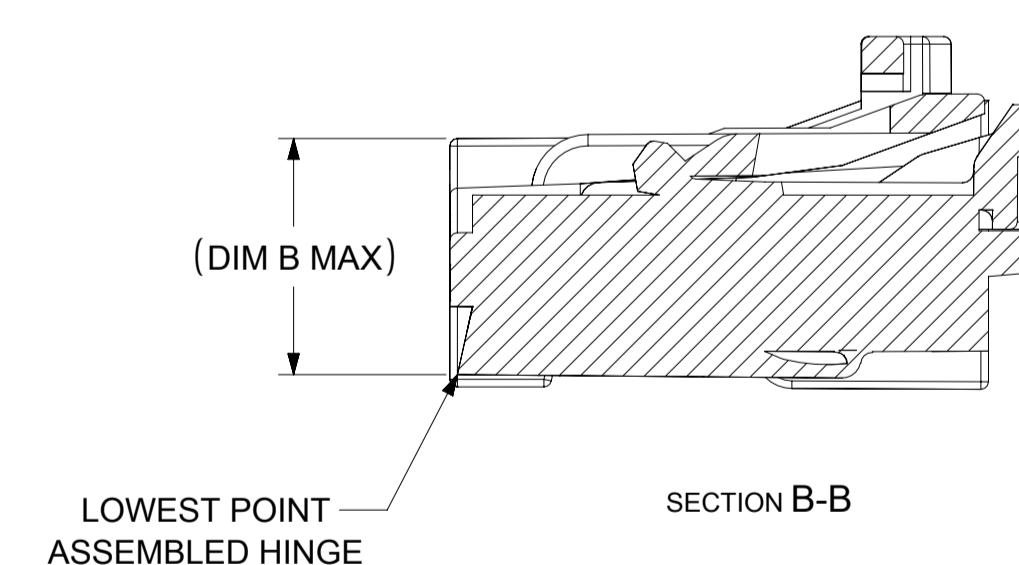
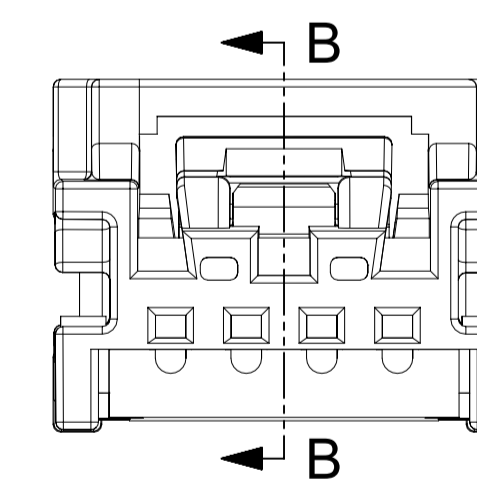
8CKT HINGE CLOSED CPA IN FINAL POSITION



4CKT HINGE CLOSED



PASS THRU DIAMETER  
∅ DIM A  
1MM ADDITIONAL CLEARANCE  
ADDED TO TIGHTEST FIT CIRCLE



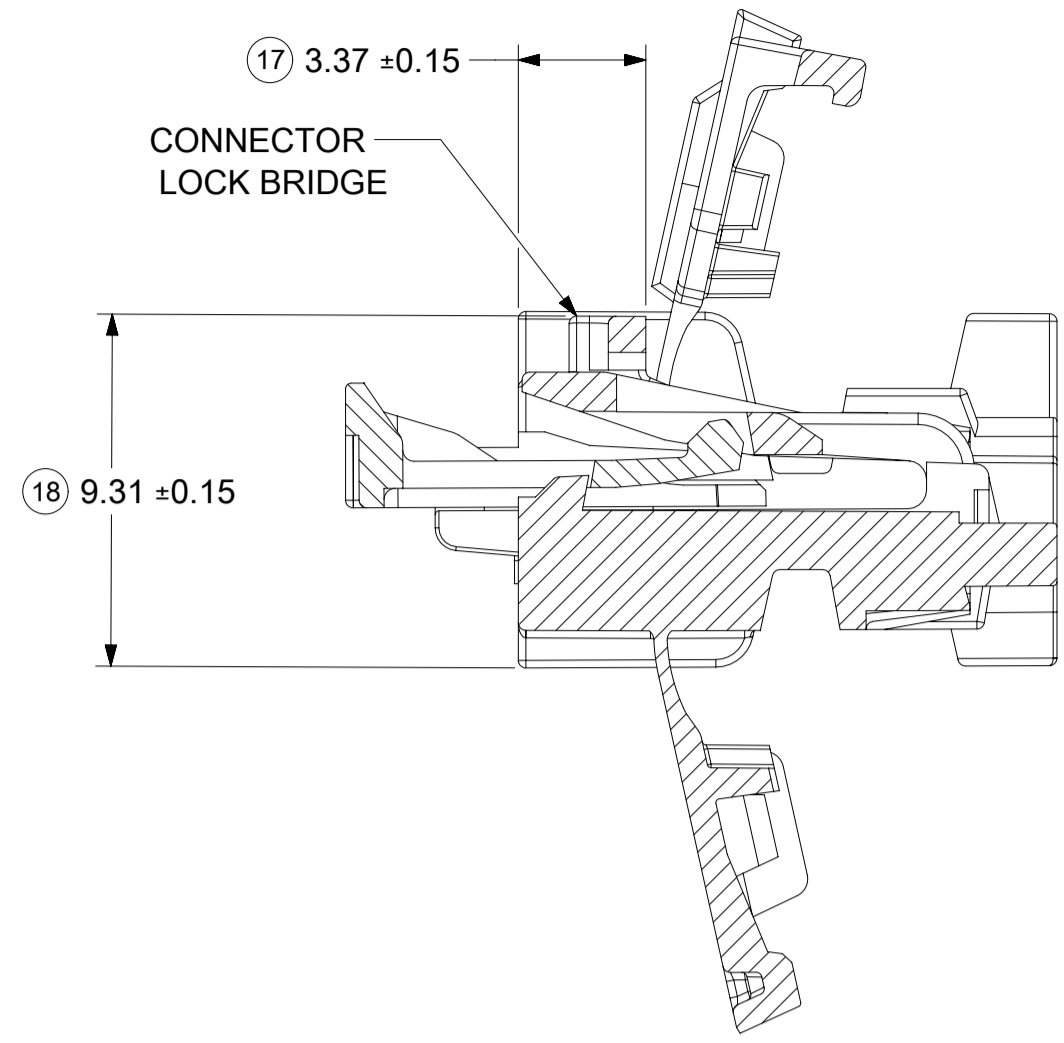
| CHARTED DIMENSIONS |           |      |
|--------------------|-----------|------|
| DESCRIPTION        | DIMENSION |      |
|                    | A         | B    |
| 4 CKT              | 16.09     | 6.77 |
| 8 CKT              | 22.52     | 7.77 |
| 12 CKT             | 23.18     | 8.47 |
| 16 CKT             | 26.87     | 8.47 |
| 20 CKT             | 30.65     | 8.47 |
| 24 CKT             | 34.47     | 8.47 |

THIS DRAWING CONTAINS INFORMATION THAT IS PROPRIETARY TO MOLEX ELECTRONIC TECHNOLOGIES, LLC AND SHOULD NOT BE USED WITHOUT WRITTEN PERMISSION

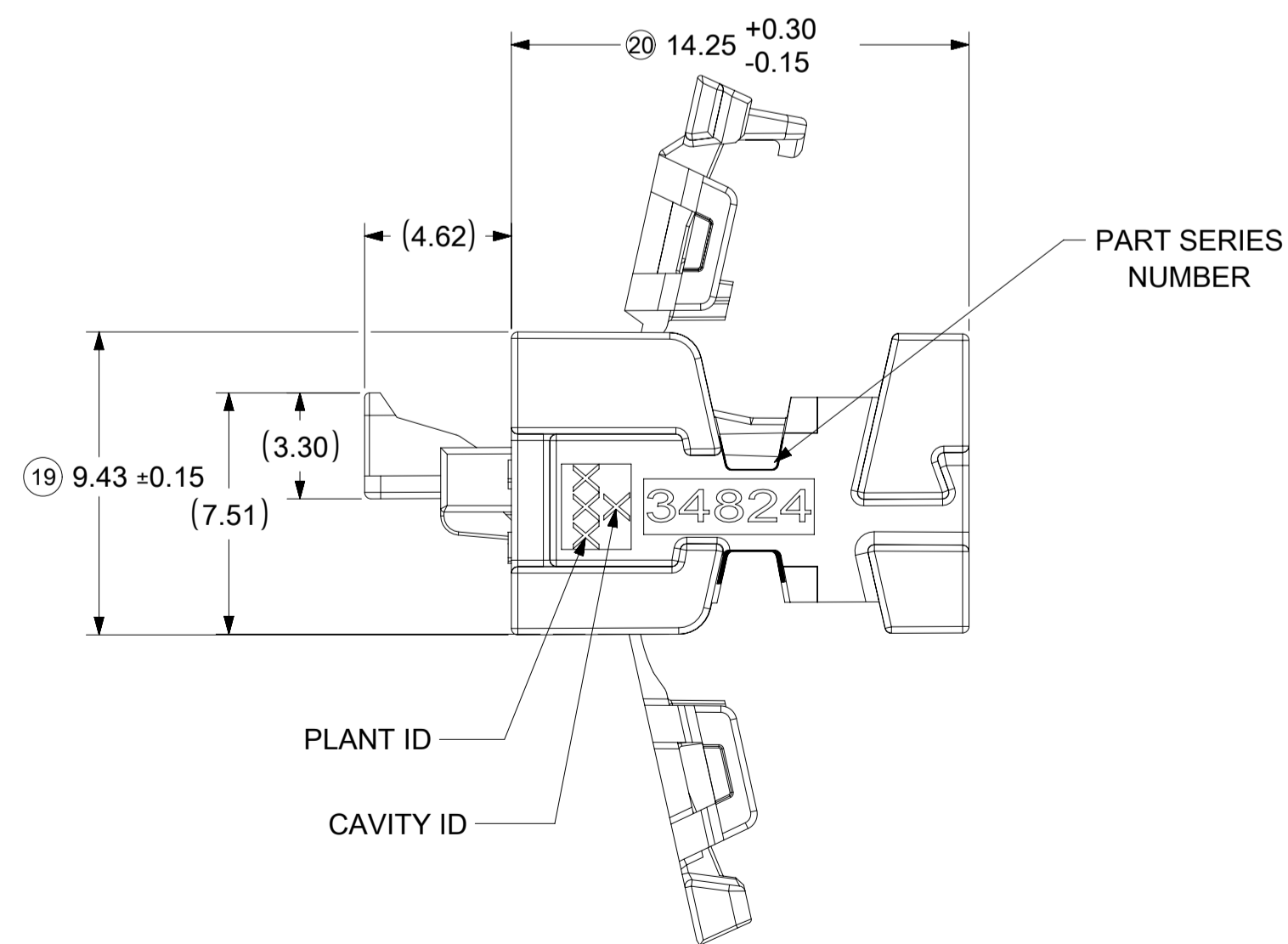
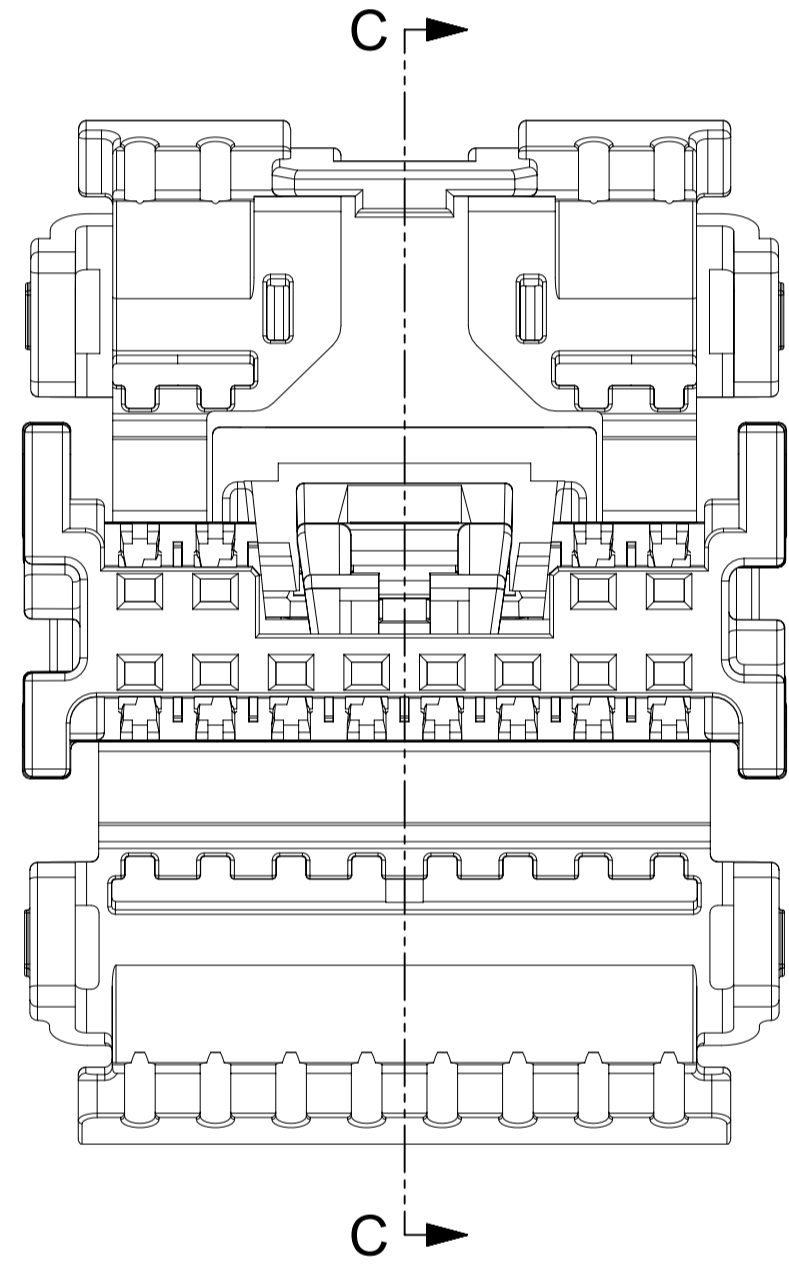
|  |                     |                        |                       |
|--|---------------------|------------------------|-----------------------|
| DIMENSION UNITS<br><b>mm</b>                         | SCALE<br><b>5:1</b> | CURRENT REV DESC:      |                       |
| GENERAL TOLERANCES (UNLESS SPECIFIED)                |                     | EC NO: 669840          |                       |
| ANGULAR TOL ± 1.0°                                   |                     | 4 PLACES ±             | 2021/07/12            |
| 3 PLACES ±   |                     | 3 PLACES ±             | 2021/07/13            |
| 2 PLACES ± 0.1                                       |                     | 2 PLACES ± 0.1         | 2021/07/13            |
| 1 PLACE ± 0.2  |                     | 1 PLACE ± 0.2          |                       |
| 0 PLACES ±   |                     | 0 PLACES ±             |                       |
| DRAFT WHERE APPLICABLE MUST REMAIN WITHIN DIMENSIONS |                     | THIRD ANGLE PROJECTION | DRAWING               |
|  |                     |                        | <b>A1-SIZE</b>        |
|  |                     | SERIES                 | <b>34824</b>          |
|  |                     | MATERIAL NUMBER        |                       |
|  |                     | CUSTOMER               | <b>GENERAL MARKET</b> |
|  |                     | SHEET NUMBER           | <b>2 OF 4</b>         |

|  |            |            |            |
|--|------------|------------|------------|
| <b>molex</b>                             |            |            |            |
| MINI50 RECEPTACLE WITH CPA SALES DRAWING |            |            |            |
| PRODUCT CUSTOMER DRAWING                 |            |            |            |
| DOCUMENT NUMBER                          | DOC TYPE   | DOC PART   | REVISION   |
| <b>SD-34824-003</b>                      | <b>PSD</b> | <b>001</b> | <b>M15</b> |

DUAL ROW LOCK BRIDGE OPTION

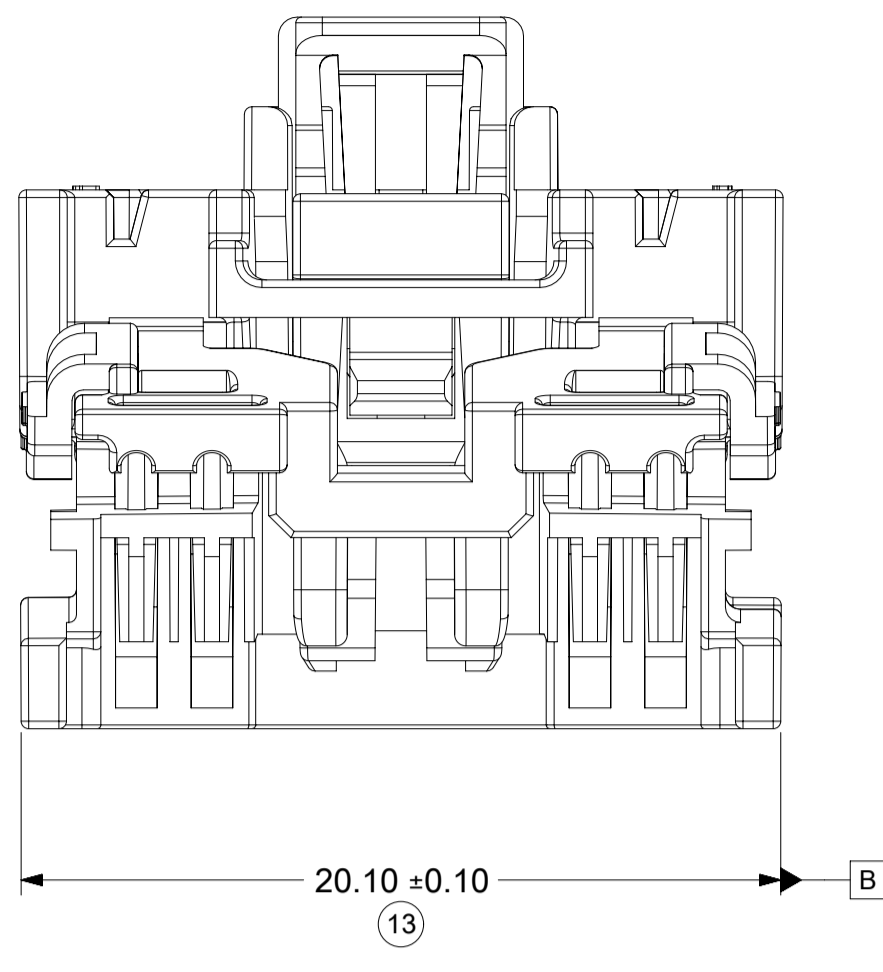


SECTION C-C

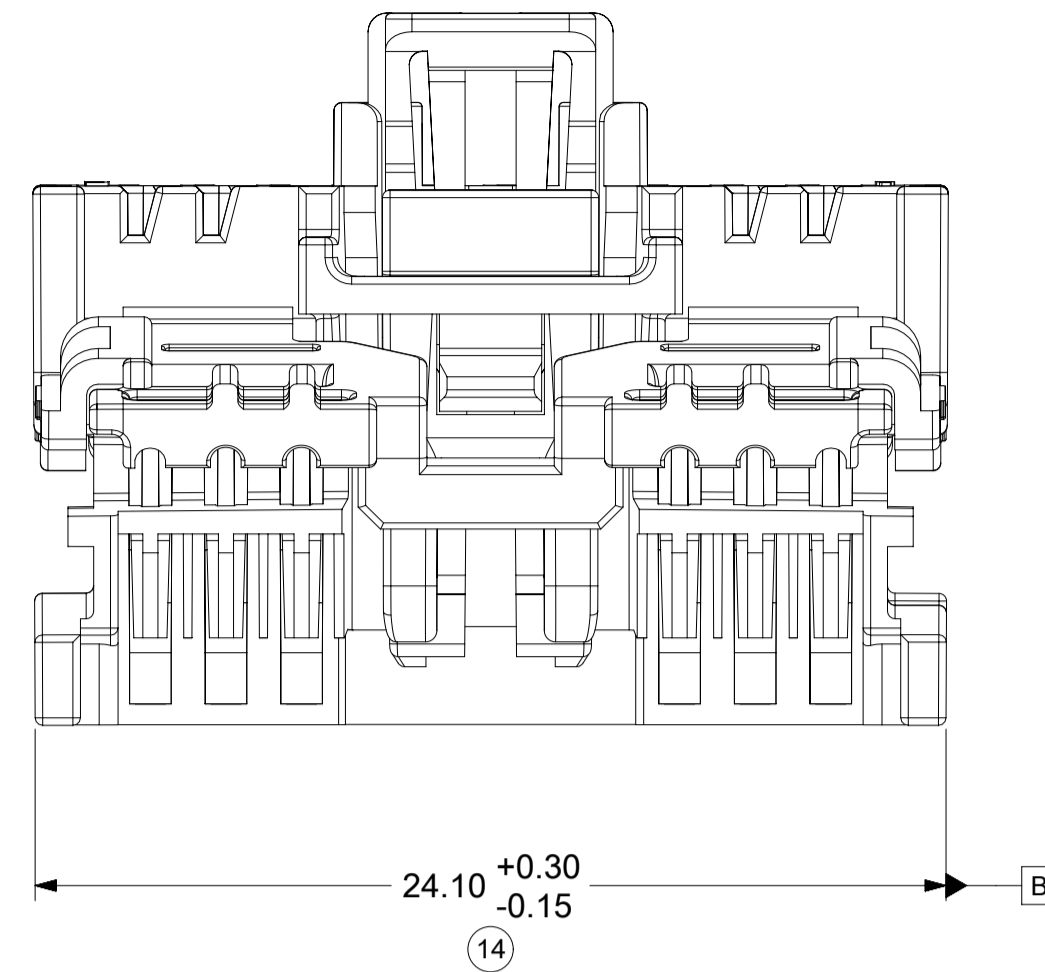


\*NOTE: DIM 20 TOLERANCE IS +0.20/-0.15 FOR P/N 34824-2244/5/6

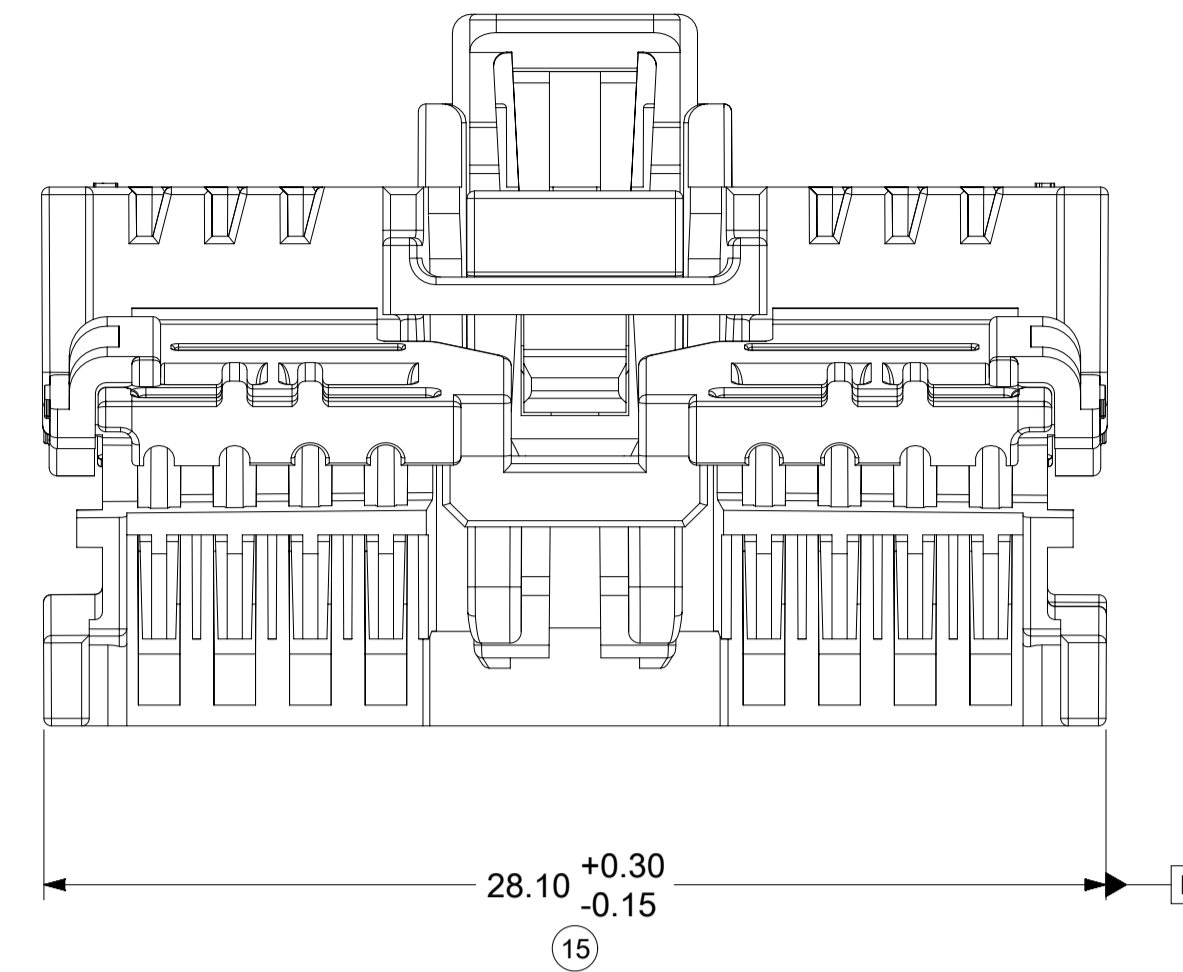
12CKT USCAR COMPATIBLE RECEPTACLE WITH CPA



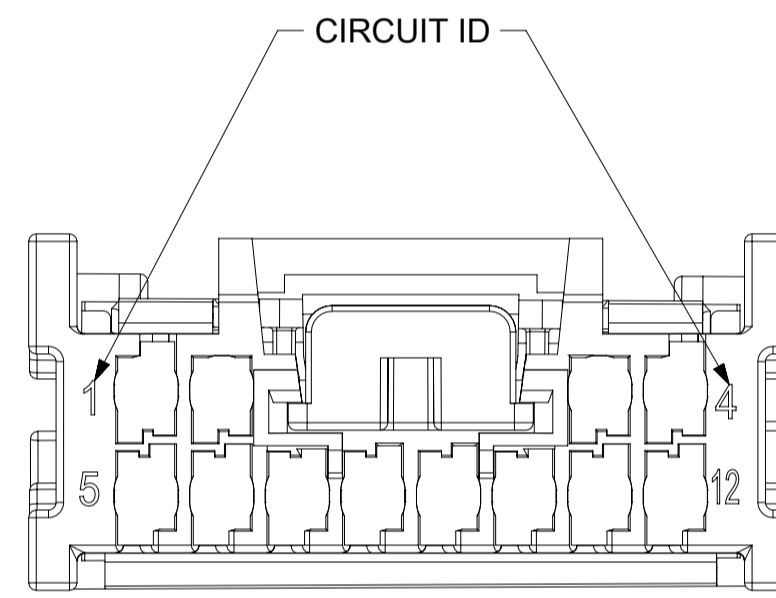
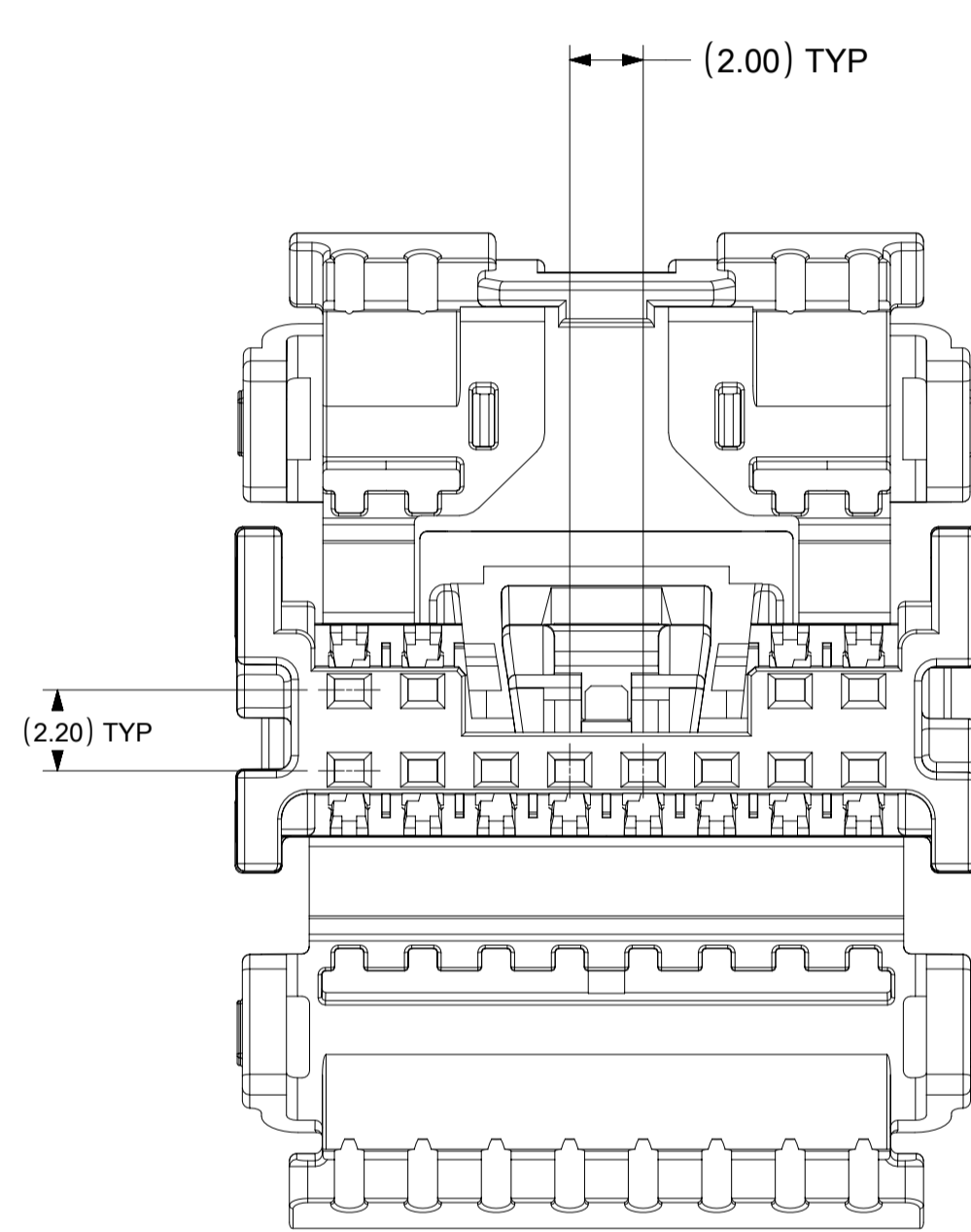
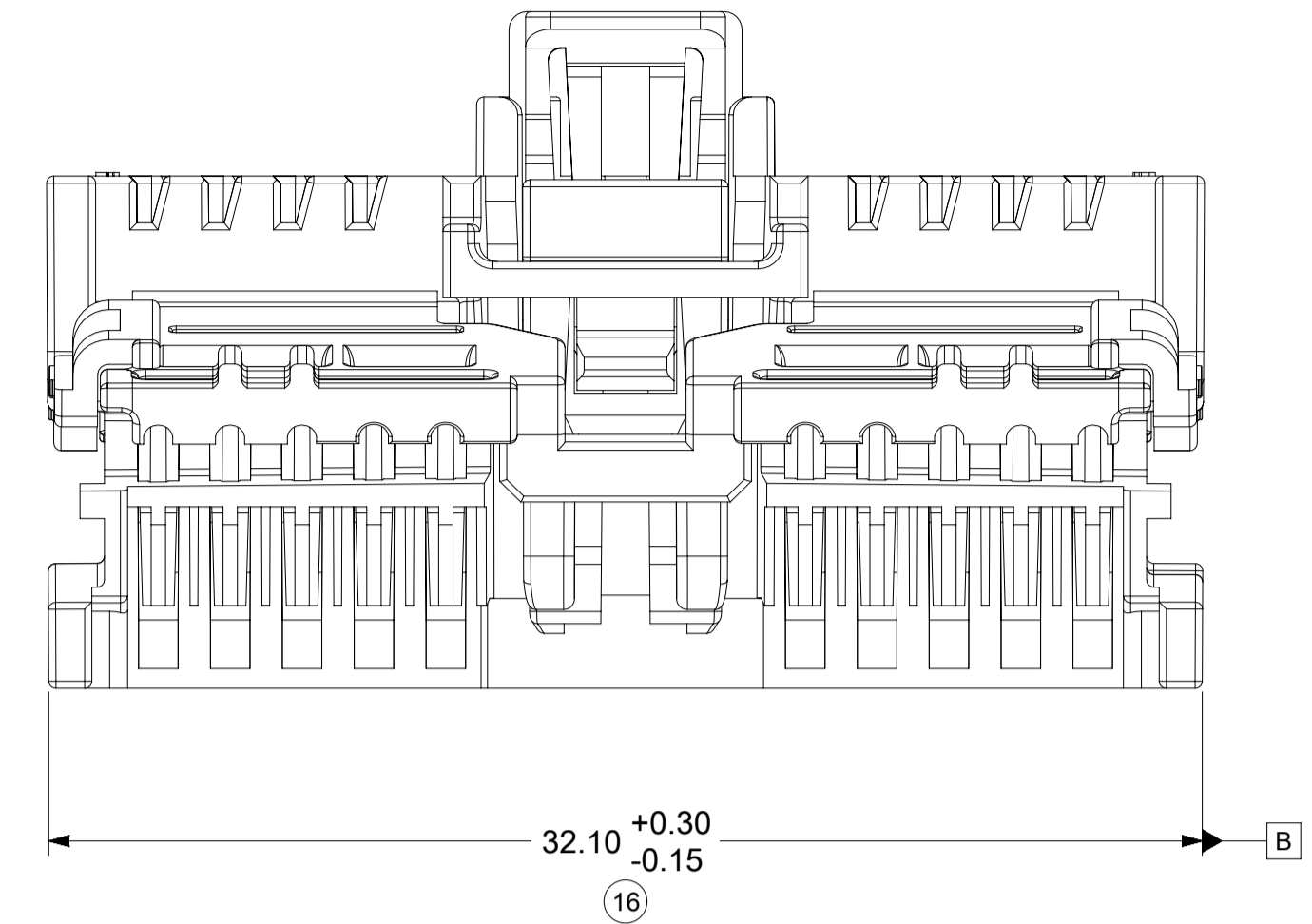
16CKT USCAR COMPATIBLE RECEPTACLE WITH CPA



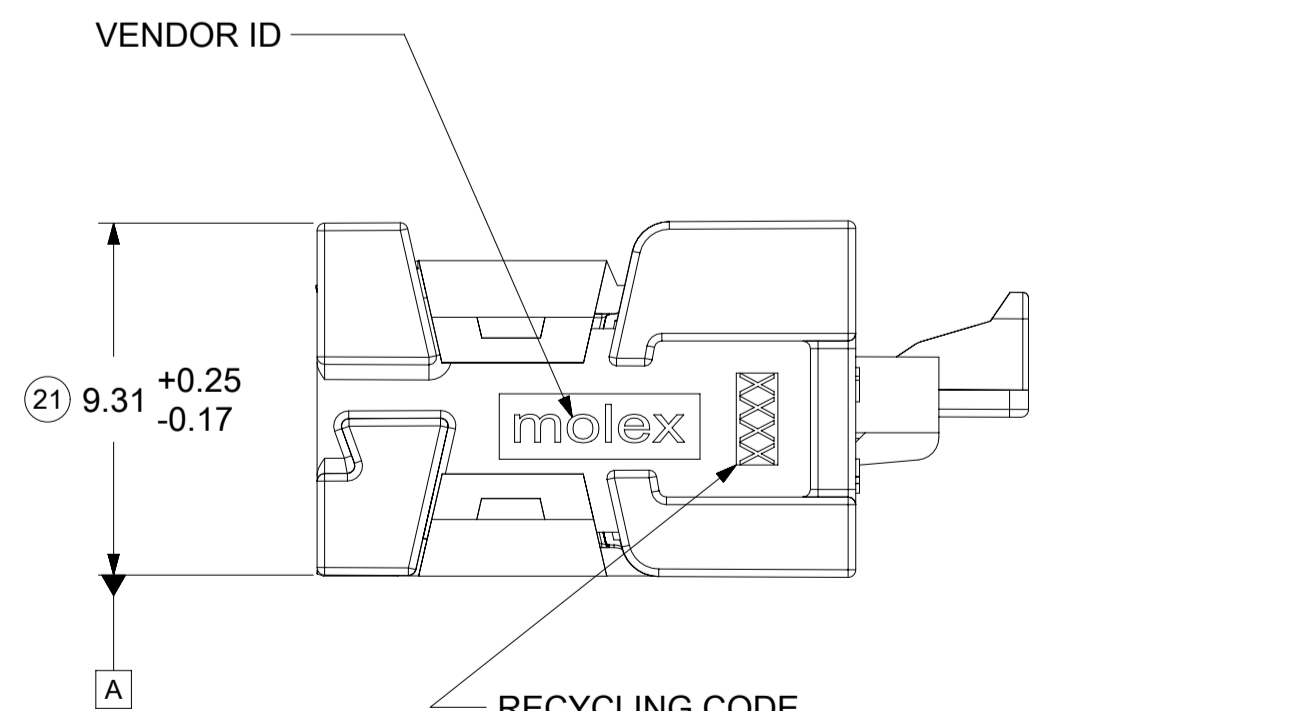
20CKT USCAR COMPATIBLE RECEPTACLE WITH CPA



24CKT USCAR COMPATIBLE RECEPTACLE WITH CPA



HINGES CLOSED



\*NOTE: DATUMS A AND C ARE SIMILAR FOR 12-24CKT CONNECTORS

THIS DRAWING CONTAINS INFORMATION THAT IS PROPRIETARY TO MOLEX ELECTRONIC TECHNOLOGIES, LLC AND SHOULD NOT BE USED WITHOUT WRITTEN PERMISSION

|  |        |                   |                 |
|--|--------|-------------------|-----------------|
| DIMENSION UNITS                                      | SCALE  | CURRENT REV DESC: |                 |
| mm   | 5:1    |                   |                 |
| GENERAL TOLERANCES (UNLESS SPECIFIED)                |        |                   |                 |
| ANGULAR TOL  | ± 1.0° |                   |                 |
| 4 PLACES   | ±      | EC NO: 669840     |                 |
| 3 PLACES   | ±      | DRWN: SWU31       | 2021/07/12      |
| 2 PLACES   | ± 0.1  | CHK'D: CDZHANG    | 2021/07/13      |
| 1 PLACE  | ± 0.2  | APPR: CDZHANG     | 2021/07/13      |
| 0 PLACES   | ±      | INITIAL REVISION: |                 |
| DRAFT WHERE APPLICABLE MUST REMAIN WITHIN DIMENSIONS |        | DRWN: TMACHUGA    | 2013/10/15      |
| THIRD ANGLE PROJECTION                               |        | APPR: RBAUMAN     | 2013/11/13      |
| DRAWING  |        | SERIES            | MATERIAL NUMBER |
| A1-SIZE  |        | 34824             |                 |
| CUSTOMER   |        | SHEET NUMBER      |                 |
| GENERAL MARKET                                       |        | 3 OF 4            |                 |

**molex**

MINI50 RECEPTACLE WITH CPA SALES DRAWING

PRODUCT CUSTOMER DRAWING

DOCUMENT NUMBER: SD-34824-003  
DOC TYPE: PSD  
DOC PART: 001  
REVISION: M15

|                 |    |              |            |          |
|-----------------|----|--------------|------------|----------|
| DOCUMENT STATUS | P1 | RELEASE DATE | 2021/07/13 | 10:13:47 |
|-----------------|----|--------------|------------|----------|

## SINGLE ROW ASSEMBLY (RECEPTACLE WITH CPA)

| MOLEX MATERIAL NUMBER<br>BULK PACKAGING<br>PK-31301-538 | GENERAL MOTORS<br>PART NUMBER | CONFIGURATION | MATERIAL<br>TYPE | CIRCUIT | POL | COLOR      | MATING COMPONENT                        |                                |                                |                                |  |                                |                                |  |
|---|-------------------------------|---------------|------------------|---------|-----|------------|---|--------------------------------|--------------------------------|--------------------------------|--|--------------------------------|--------------------------------|--|
|   |                               |               |                  |         |     |            | SURFACE MOUNT TECHNOLOGY (SMT) HEADER   |                                | VERTICAL THRU HOLE HEADER      |                                |  | RIGHT ANGLE THRU HOLE HEADER   |                                |  |
|   |                               |               |                  |         |     |            | TAPE AND REEL PACKAGING<br>PK-31301-786 | TUBE PACKAGING<br>PK-31301-688 | TRAY PACKAGING<br>PK-31301-440 | TUBE PACKAGING<br>PK-31301-688 | TAPE AND REEL PACKAGING<br>PK-47799-0001 | TRAY PACKAGING<br>PK-31301-440 | TUBE PACKAGING<br>PK-31301-688 | TAPE AND REEL PACKAGING<br>PK-47799-0001 |
| 34791-5140  | 13507113                      | USCAR         | PBT              | 4       | A   | BLACK      | 34912-8040                              | 34912-9040                     | 34792-0040                     | 34792-9040                     | 34792-8040                               | 34793-0040                     | 34793-9040                     | 34793-8040                               |
| 34791-5141  | 13507115                      | USCAR         |                  | 4       | B   | LIGHT GRAY | 34912-8041                              | 34912-9041                     | 34792-0041                     | 34792-9041                     | 34792-8041                               | 34793-0041                     | 34793-9041                     | 34793-8041                               |
| 34791-5142  | 13507116                      | USCAR         |                  | 4       | C   | DARK GRAY  | 34912-8042                              | 34912-9042                     | 34792-0042                     | 34792-9042                     | 34792-8042                               | 34793-0042                     | 34793-9042                     | 34793-8042                               |
| 34791-5143  | 13507117                      | USCAR         |                  | 4       | D   | GREEN      | 34912-8043                              | 34912-9043                     | 34792-0043                     | 34792-9043                     | 34792-8043                               | 34793-0043                     | 34793-9043                     | 34793-8043                               |
| 34791-5180  | 13507118                      | USCAR         |                  | 8       | A   | BLACK      | 34912-8080                              | 34912-9080                     | 34792-0080                     | 34792-9080                     | 34792-8080                               | 34793-0080                     | 34793-9080                     | 34793-8080                               |
| 34791-5181  | 13507119                      | USCAR         |                  | 8       | B   | LIGHT GRAY | 34912-8081                              | 34912-9081                     | 34792-0081                     | 34792-9081                     | 34792-8081                               | 34793-0081                     | 34793-9081                     | 34793-8081                               |
| 34791-5182  | 13507120                      | USCAR         |                  | 8       | C   | DARK GRAY  | 34912-8082                              | 34912-9082                     | 34792-0082                     | 34792-9082                     | 34792-8082                               | 34793-0082                     | 34793-9082                     | 34793-8082                               |

## DUAL ROW ASSEMBLY (RECEPTACLE WITH CPA)

| MOLEX MATERIAL NUMBER<br>BULK PACKAGING<br>PK-31301-538 | GENERAL MOTORS<br>PART NUMBER | CONFIGURATION | MATERIAL<br>TYPE | CIRCUIT | POL       | COLOR      | MATING COMPONENT                        |                                |                                |                                |  |                                |                                |  |
|---|-------------------------------|---------------|------------------|---------|-----------|------------|---|--------------------------------|--------------------------------|--------------------------------|--|--------------------------------|--------------------------------|--|
|   |                               |               |                  |         |           |            | SURFACE MOUNT TECHNOLOGY (SMT) HEADER   |                                | VERTICAL THRU HOLE HEADER      |                                |  | RIGHT ANGLE THRU HOLE HEADER   |                                |  |
|   |                               |               |                  |         |           |            | TAPE AND REEL PACKAGING<br>PK-31301-786 | TUBE PACKAGING<br>PK-31301-688 | TRAY PACKAGING<br>PK-31301-440 | TUBE PACKAGING<br>PK-31301-688 | TAPE AND REEL PACKAGING<br>PK-47799-0001 | TRAY PACKAGING<br>PK-31301-440 | TUBE PACKAGING<br>PK-31301-688 | TAPE AND REEL PACKAGING<br>PK-47799-0001 |
| 34824-2164  | N/A                           | USCAR         | ECOPAXX          | 16      | A         | BLACK      | 34897-8160                              | 34897-9160                     | 34825-0160                     | 34825-9160                     | 34825-8160                               | 34826-0160                     | 34826-9160                     | 34826-8160                               |
| 34824-2165  | N/A                           | USCAR         |                  | 16      | B         | LIGHT GRAY | 34897-8161                              | 34897-9161                     | 34825-0161                     | 34825-9161                     | 34825-8161                               | 34826-0161                     | 34826-9161                     | 34826-8161                               |
| 34824-2166  | N/A                           | USCAR         |                  | 16      | C         | DARK GRAY  | 34897-8162                              | 34897-9162                     | 34825-0162                     | 34825-9162                     | 34825-8162                               | 34826-0162                     | 34826-9162                     | 34826-8162                               |
| 34824-2204  | 13544280                      | USCAR         |                  | 20      | A         | BLACK      | 34897-8200                              | 34897-9200                     | 34825-0200                     | 34825-9200                     | 34825-8200                               | 34826-0200                     | 34826-9200                     | 34826-8200                               |
| 34824-2205  | 13544281                      | USCAR         |                  | 20      | B         | LIGHT GRAY | 34897-8201                              | 34897-9201                     | 34825-0201                     | 34825-9201                     | 34825-8201                               | 34826-0201                     | 34826-9201                     | 34826-8201                               |
| 34824-2206  | 13544282                      | USCAR         |                  | 20      | C         | DARK GRAY  | 34897-8202                              | 34897-9202                     | 34825-0202                     | 34825-9202                     | 34825-8202                               | 34826-0202                     | 34826-9202                     | 34826-8202                               |
| 34824-2244  | N/A                           | USCAR         |                  | 24      | A         | BLACK      | 34897-8240                              | 34897-9240                     | 34825-0240                     | 34825-9240                     | 34825-8240                               | 34826-0240                     | 34826-9240                     | 34826-8240                               |
| 34824-2245  | N/A                           | USCAR         |                  | 24      | B         | LIGHT GRAY | 34897-8241                              | 34897-9241                     | 34825-0241                     | 34825-9241                     | 34825-8241                               | 34826-0241                     | 34826-9241                     | 34826-8241                               |
| 34824-2246  | N/A                           | USCAR         | 24               | C       | DARK GRAY | 34897-8242 | 34897-9242                              | 34825-0242                     | 34825-9242                     | 34825-8242                     | 34826-0242                               | 34826-9242                     | 34826-8242                     |  |
| 34824-5124  | 13507121                      | USCAR         | PBT              | 12      | A         | BLACK      | 34897-8120                              | 34897-9120                     | 34825-0124                     | 34825-9124                     | 34825-8124                               | 34826-0124                     | 34826-9124                     | 34826-8124                               |
| 34824-5125  | 13507122                      | USCAR         |                  | 12      | B         | LIGHT GRAY | 34897-8121                              | 34897-9121                     | 34825-0125                     | 34825-9125                     | 34825-8125                               | 34826-0125                     | 34826-9125                     | 34826-8125                               |
| 34824-5126  | 13507114                      | USCAR         |                  | 12      | C         | DARK GRAY  | 34897-8122                              | 34897-9122                     | 34825-0126                     | 34825-9126                     | 34825-8126                               | 34826-0126                     | 34826-9126                     | 34826-8126                               |

\*NOTE: CONFIGURATION CONSISTS OF AN EXPANSION OF THE 12CKT USCAR-COMPATIBLE CONFIGURATION TO ALLOW FOR 16, 20, AND 24 CIRCUITS

### MINI50 CPA (APPLIED TO SINGLE & DUAL ROW BRIDGED RECEPTACLES)

| MATERIAL NUMBER | COLOR   | MATING COMPONENT |
|-----------------|---------|------------------|
| 34824-7000      | NATURAL | SEE CHARTS ABOVE |

### CTX50 UNSEALED RECEPTACLE TERMINALS

| PART NUMBER             |                          | MATERIAL     | WIRE GAGE<br>(mm <sup>2</sup> ) | GRIP   |
|-------------------------|--------------------------|--------------|---------------------------------|--------|
| D-WIND<br>(LEFT PAYOFF) | B-WIND<br>(RIGHT PAYOFF) |              |                                 |        |
| 560023-0448             | 560023-0450              | COPPER ALLOY | 0.35                            | LARGE  |
| 560023-0421             | 560023-0423              | COPPER ALLOY | 0.22                            | MEDIUM |
| 560023-0444             | 560023-0445              | COPPER ALLOY | 0.13                            | SMALL  |

THIS DRAWING CONTAINS INFORMATION THAT IS PROPRIETARY TO MOLEX ELECTRONIC TECHNOLOGIES, LLC AND SHOULD NOT BE USED WITHOUT WRITTEN PERMISSION

|  |                            |   |  |
|--|----------------------------|---|--|
| DIMENSION UNITS<br><b>mm</b>                               | SCALE<br><b>1:1</b>        | CURRENT REV DESC:   | <h1 style="margin: 0;">molex</h1>        |
| GENERAL TOLERANCES<br>(UNLESS SPECIFIED)                   |                            | EC NO: 669840<br>DRWN: SWU31<br>CHK'D: CDZHANG<br>APPR: CDZHANG<br>INITIAL REVISION:<br>DRWN: TMACHUGA<br>APPR: RBAUMAN | MINI50 RECEPTACLE WITH CPA SALES DRAWING |
| ANGULAR TOL ± 1.0°   |                            |   | PRODUCT CUSTOMER DRAWING                 |
| 4 PLACES ±   |                            |   | DOCUMENT NUMBER                          |
| 3 PLACES ±   |                            |   | SD-34824-003                             |
| 2 PLACES ± 0.1   |                            |   | DOC TYPE   DOC PART   REVISION           |
| 1 PLACE ± 0.2  |                            | PSD   001   M15   |  |
| 0 PLACES ±   |                            | MATERIAL NUMBER   |  |
| DRAFT WHERE APPLICABLE<br>MUST REMAIN<br>WITHIN DIMENSIONS | THIRD ANGLE PROJECTION<br> | DRAWING<br><b>A1-SIZE</b>   | SERIES<br><b>34824</b>                   |
|  |                            | CUSTOMER<br>GENERAL MARKET  | SHEET NUMBER<br>4 OF 4                   |