

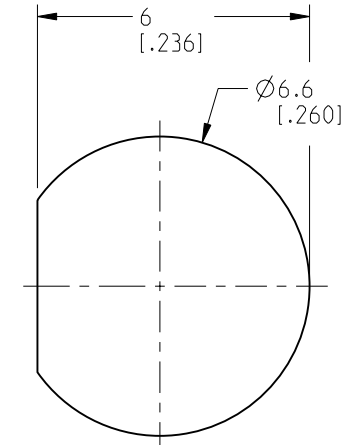
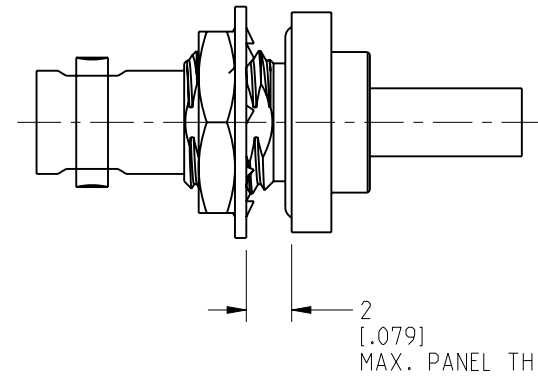
NOTES:

1. MATERIALS AND FINISHES:
 BODY, REAR BODY, LOCK WASHER,
 HEX NUT & FERRULE - BRASS, NICKEL PLATING
 CENTER CONTACT - BeCu, GOLD PLATING
 BULLET CONTACT - BRASS, GOLD PLATING
 FRONT INSULATOR - PTFE
 REAR INSULATOR - PEEK
2. ELECTRICAL:
 A. IMPEDANCE: 50 OHMS
 B. FREQUENCY RANGE: DC - 6 GHz
 C. VSWR(RETURN LOSS): -20 dB MIN, @ DC - 6 GHz
 D. DIELECTRIC WITHSTANDING VOLTAGE: 500 VRMS, MIN.
3. MECHANICAL:
 A. DURABILITY: 500 CYCLES MIN.
 B. TEMPERATURE RANGE: -65° C TO +165° C
4. ENVIRONMENTAL:
 A. CONNECTOR PASSES IP67 IN UNMATED CONDITION

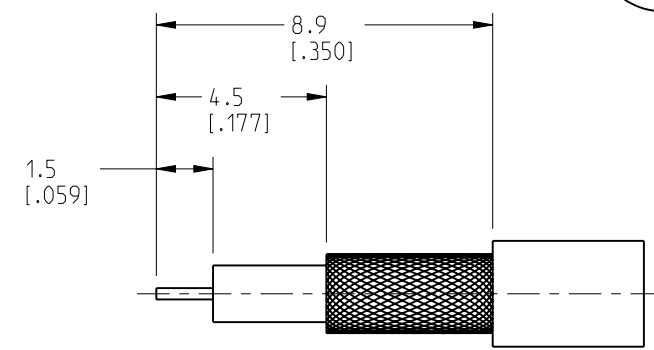
5. PACKAGING:
 A. QUANTITY: SINGLE PACK
 B. MARKING: BAG TO BE MARKED
 "AMPHENOL. 34-5073. DATE CODE"
6. ASSEMBLY:
 A. STRIP CABLE TO DIMENSIONS SHOWN
 B. SLIDE THE FERRULE ONTO CABLE.
 C. SOLDER BULLET CONTACT TO CABLE CENTER CONDUCTOR,
 BOTTOMING ON INSULATOR.
 D. INSERT CABLE INTO CONNECTOR UNTIL IT BOTTOMS.
 E. CRIMP FERRULE USING .100" HEX.

7 SHOWS CABLE ENTRY DIMENSIONS.

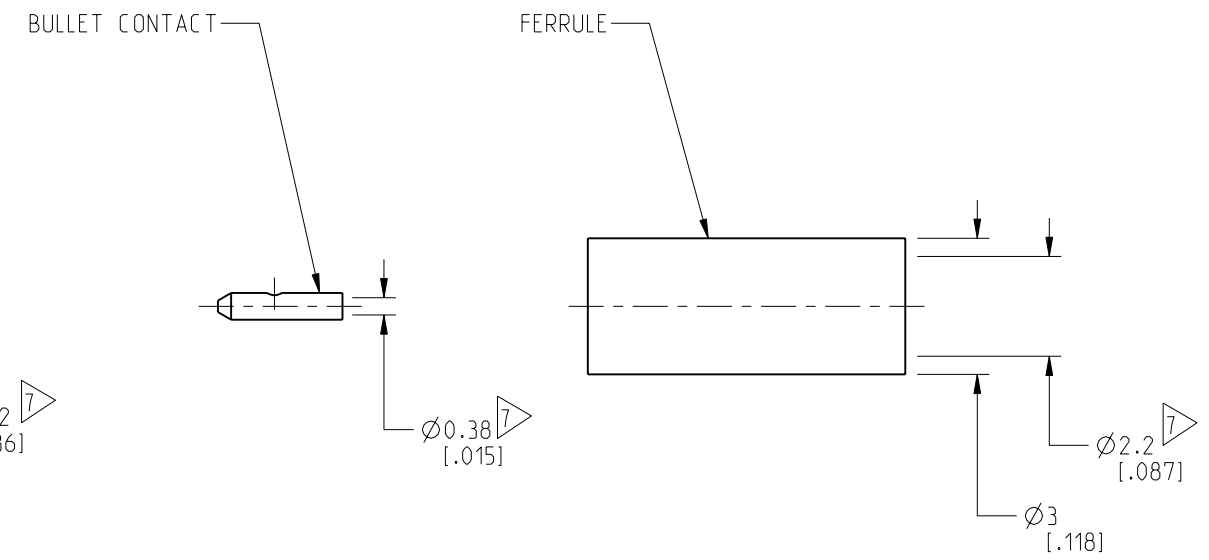
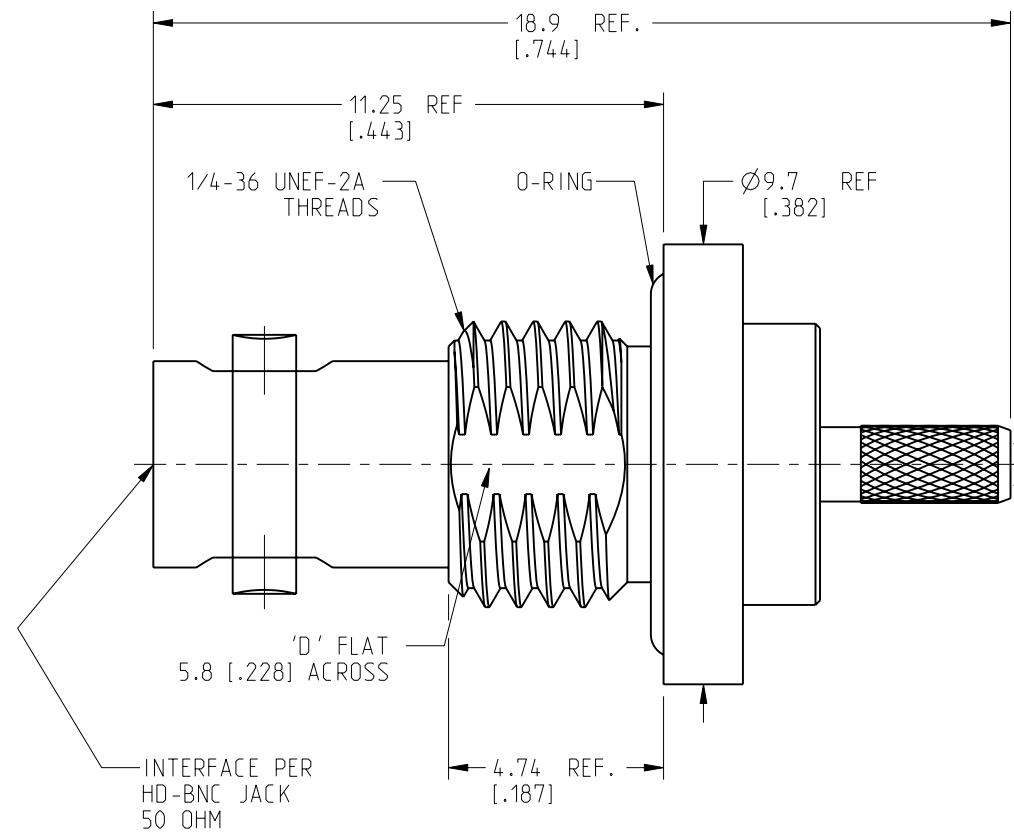
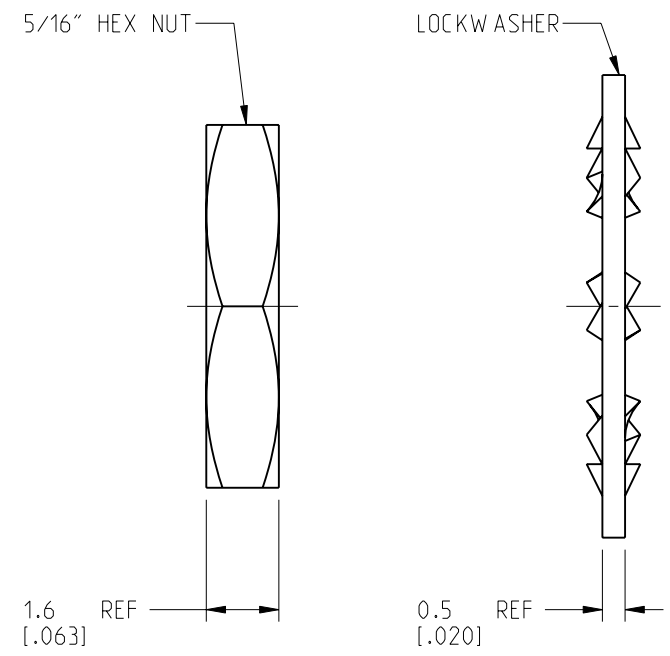
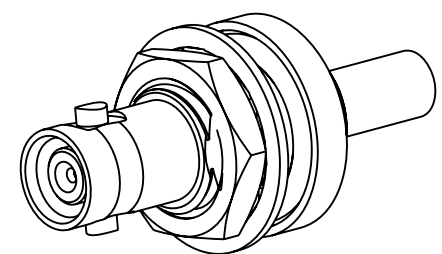
REVISIONS				
REV	DESCRIPTION	DATE	ECN	APPR
A	RELEASE TO MFG.	29-JUL-21	15840	SH



RECOMMENDED MOUNTING HOLE DIMENSIONS



RECOMMENDED CABLE STRIPPING DIMENSIONS



CUSTOMER OUTLINE DRAWING
 ALL OTHER SHEETS ARE FOR INTERNAL USE ONLY

NOTICE: These drawings, specifications, or other data (1) are, and remain the property of Amphenol corp. (2) must be returned upon request; and (3) are confidential and not to be disclosed to any person other than those to whom they are given by Amphenol Corp. The furnishing of these drawings, specifications, or other data by Amphenol Corp., or to any other person to anyone for any purpose is not to be regarded by implication or otherwise in any manner licensing, granting rights to permitting such holder or any other person to manufacture, use or sell any product, process or design, patented or otherwise, that may in any way be related to or disclosed by said drawings, specifications, or other data.

THIRD ANGLE PROJ. REFERENCE 34-5019 EAR# 10081

UNLESS OTHERWISE SPECIFIED DIMENSIONS ARE METRIC (INCHES) AND TOLERANCES ARE:
 <0.5mm = ±0.05mm [-0.020 = ±0.002]
 >0.5 - 6mm = ±0.1mm [0.020 - 0.236 = ±0.004]
 >6.00 - 30mm = ±0.2mm [0.236 - 1.181 = ±0.008]
 >30.00 - 120mm = ±0.3mm [1.181 - 4.725 = ±0.012]

ANGLES = ±1°

MATERIAL SEE NOTES

ENGR.1 WIKI ENGR.2 DATE 13-JUL-21

TITLE 50 OHM HD BNC BHD JACK FOR RG-178 IP67

SHEET NO. 2 OF 2 SCALE: 6.0:1.0

Amphenol RF		REV
		A
		SIZE B
DRAWING NO.	34-5073	REV
ITEM NO.	34-5073	
PART NO.	34-5073	