

I2C & GPIO splitter – Trēo™ Module

Module Features

- Creates 2 I2C Connections
- Creates 2 GPIO0 Connection
- RoHS Compliant
- Software Library
- NightShade Trēo™ Compatible
- Breakout Headers

Trēo™ Compatibility

Electrical

Communication	I2C
Max Current, 3.3V	0mA
Max Current, 5V	0mA

Mechanical

- 25mm x 25mm Outline
- 20mm x 20mm Hole Pattern
- M2.5 Mounting Holes



Description

The I2C & GPIO splitter module creates two Trēo connections that each have I2C & GPIO0 from one I2C/GPIO connector. This can be used to create more I2C connections or to control two single GPIO devices from one GPIO connection. This module is a part of the NightShade Treo system, patent pending.

Table of Contents

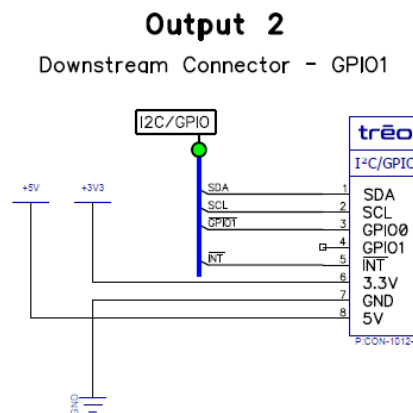
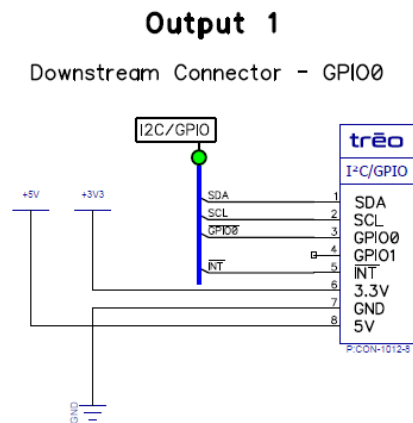
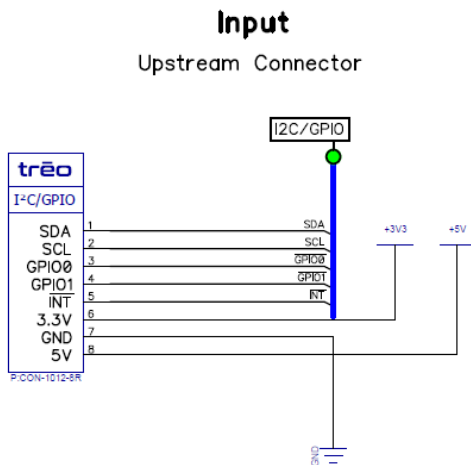
1	What is Trēo™?	2
2	Electrical Schematic	2
3	Mechanical Outline	3

1 What is Trēo™?

NightShade Trēo is a system of electronic modules that have standardized mechanical, electrical, and software interfaces. It provides you with a way to quickly develop electronic systems around microprocessor development boards. The grid attachment system, common connector/cabling, and extensive cross-platform software library allow you more time to focus on your application. Trēo is supported with detailed documentation and CAD models for each device.

Learn more about Trēo [here](#).

2 Electrical Schematic



3 Mechanical Outline

