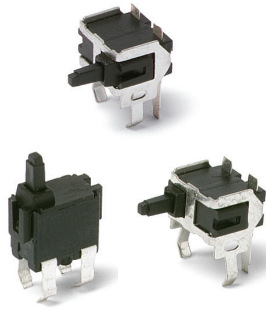


# DDS Series Micro Mini Thru-hole Detect Switches



## Features/Benefits

- Vertical or horizontal actuation
- 2mm overtravel—Ideal for detector applications
- Low actuations force (less than 40 grams)
- RoHS compliant and compatible

## Typical Applications

- Detect the presence of a mechanical device
- Medical devices
- Consumer electronic devices

## Specifications

CONTACT RATING: 0.1A @ 30 VDC.  
 MECHANICAL & ELECTRICAL LIFE: 50,000 cycles.  
 CONTACT RESISTANCE: 150 m Ω max. initial.  
 INSULATION RESISTANCE: 100 M Ω min. @ 100 VDC.  
 OPERATING TEMPERATURE: -40°C to +85°C.  
 DIELECTRIC STRENGTH: 100 volts AC @ 60 Hz.  
 PACKAGING: Bulk.

## Materials

HOUSING: P.P.S.  
 ACTUATOR: PA66  
 MOVABLE CONTACT: Tin bronze, silver plated.

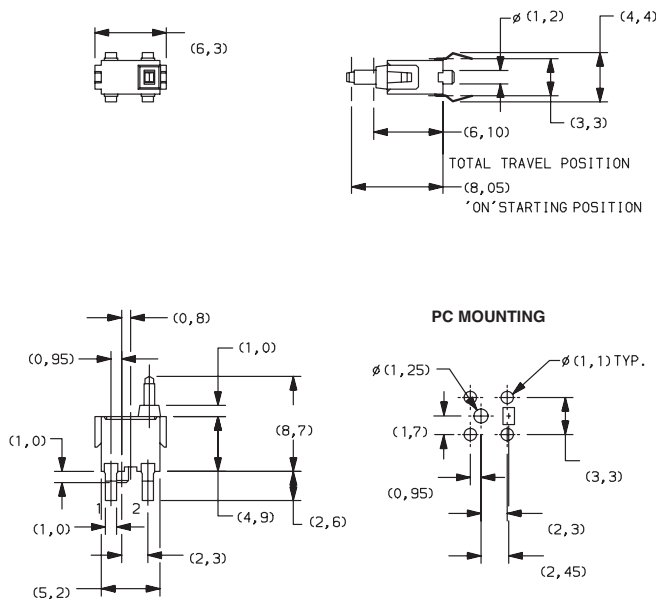
**NOTE:** Specifications and materials listed above are for switches with standard options. For information on specific and custom switches, consult Customer Service Center.

## How To Order

Complete part numbers for DDS Series Switches are shown below.



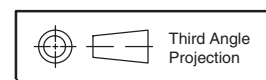
DDS001  
SPST



PART NUMBER	DESCRIPTION	SCHEMATIC
DDS001	Vertical Actuator	 SPST N.O.




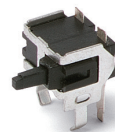
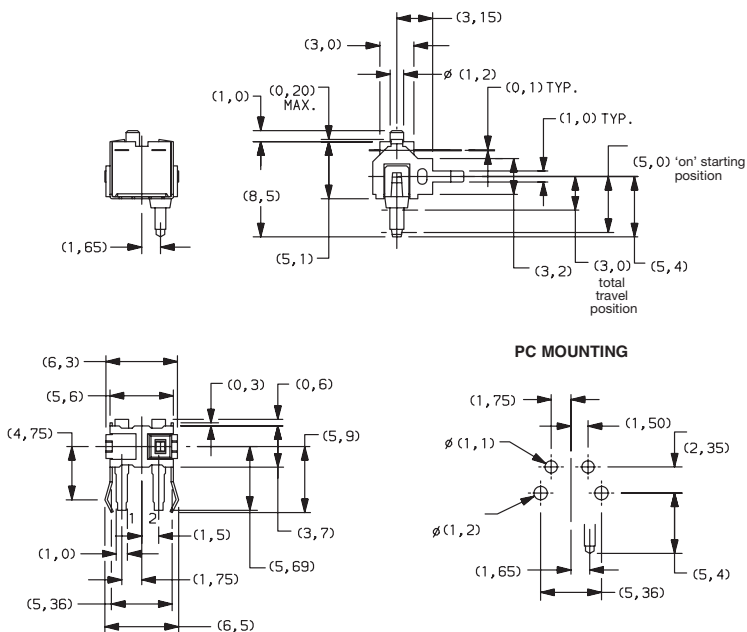
Detect




Dimensions are shown: mm  
 Specifications and dimensions subject to change

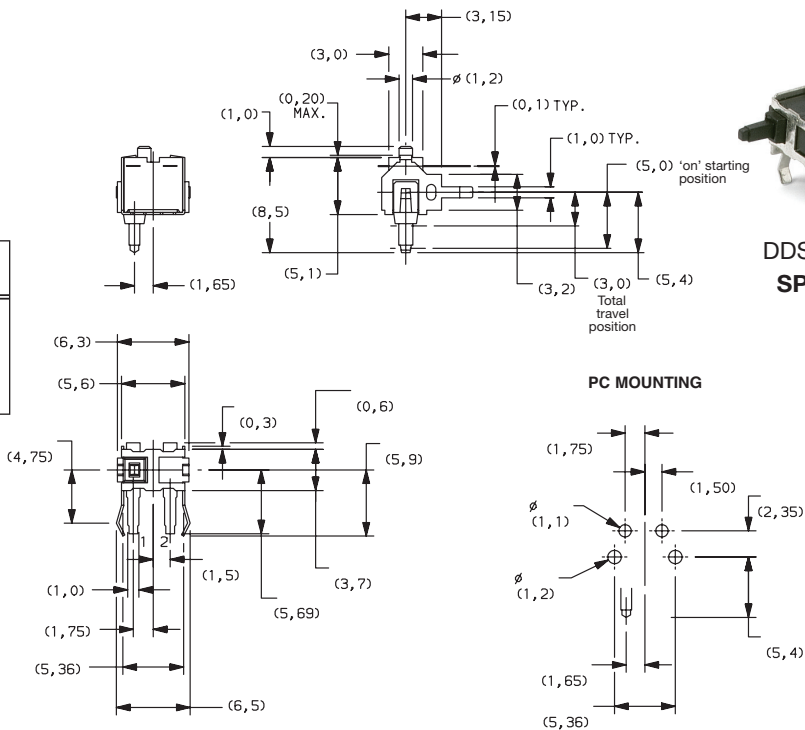
# DDS Series Micro Mini Thru-hole Detect Switches

PART NUMBER	DESCRIPTION	SCHEMATIC
<b>DDS002</b>	Right angle, actuator right	 SPST N.O.



**DDS002**  
**SPST**

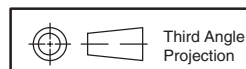
PART NUMBER	DESCRIPTION	SCHEMATIC
<b>DDS003</b>	Right angle, actuator left	 SPST N.O.



**DDS003**  
**SPST**



Detect



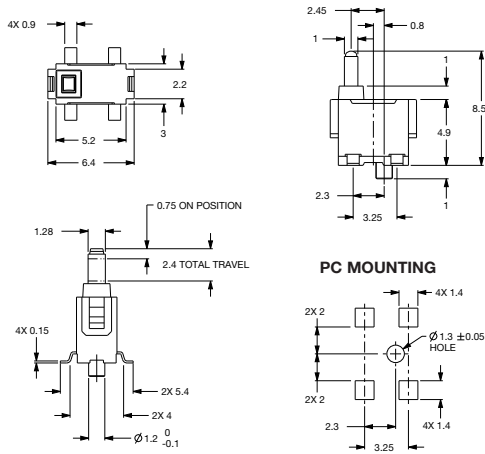
Third Angle  
Projection


Dimensions are shown: mm  
Specifications and dimensions subject to change

# DDS Series Micro Mini Thru-hole Detect Switches



DDS004  
SPST



PART NUMBER	DESCRIPTION	SCHEMATIC
DDS004	Vertical actuator	 SPST N.O.