

**PLEASE CHECK WWW.MOLEX.COM FOR LATEST PART INFORMATION**

**Part Number:** [5009891000](#)  
**Status:** **Active**  
**Description:** 3.30mm Pitch Crimp Terminal, Female, 22-26 AWG, Reel

**Documents:**

[Drawing \(PDF\)](#) [RoHS Certificate of Compliance \(PDF\)](#)

**General**

Product Family	Crimp Terminals
Series	<a href="#">500989</a>
Application	Signal
Crimp Quality Equipment	Yes
Product Name	N/A
UPC	822348810574

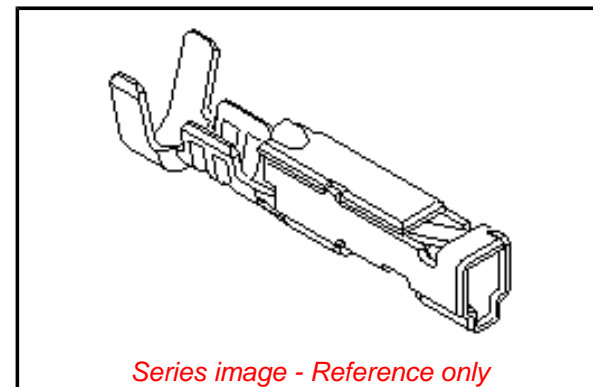
**Physical**

Gender	Female
Material - Metal	Copper Alloy
Material - Plating Mating	Tin
Material - Plating Termination	Tin
Net Weight	169.000/mg
Packaging Type	Reel
Termination Interface: Style	Crimp or Compression
Wire Insulation Diameter	1.25-1.70mm
Wire Size AWG	22, 24, 26
Wire Size mm <sup>2</sup>	N/A

**Material Info**

**Reference - Drawing Numbers**

Sales Drawing	SD-500989-002
---------------	---------------



*Series image - Reference only*

**EU ELV**

**Not Relevant**

**EU RoHS**

**Compliant**

**REACH SVHC**

Not Contained Per -  
ED/21/2016 (20 June  
2016)

**Halogen-Free**

**Status**

**Low-Halogen**

**Need more information on product  
environmental compliance?**

Email [productcompliance@molex.com](mailto:productcompliance@molex.com)  
Please visit the [Contact Us](#) section for any  
non-product compliance questions.

China ROHS  
ELV

Green Image  
Not Relevant

**Search Parts in this Series**

[500989](#) Series

**Mates With**

[501329](#) Crimp Housing . [56279](#) Crimp  
Terminal

**Use With**

[501328](#) Inertia Lock Crimp Housing . [51284](#)  
Crimp Housing . [51347](#) Crimp Housing