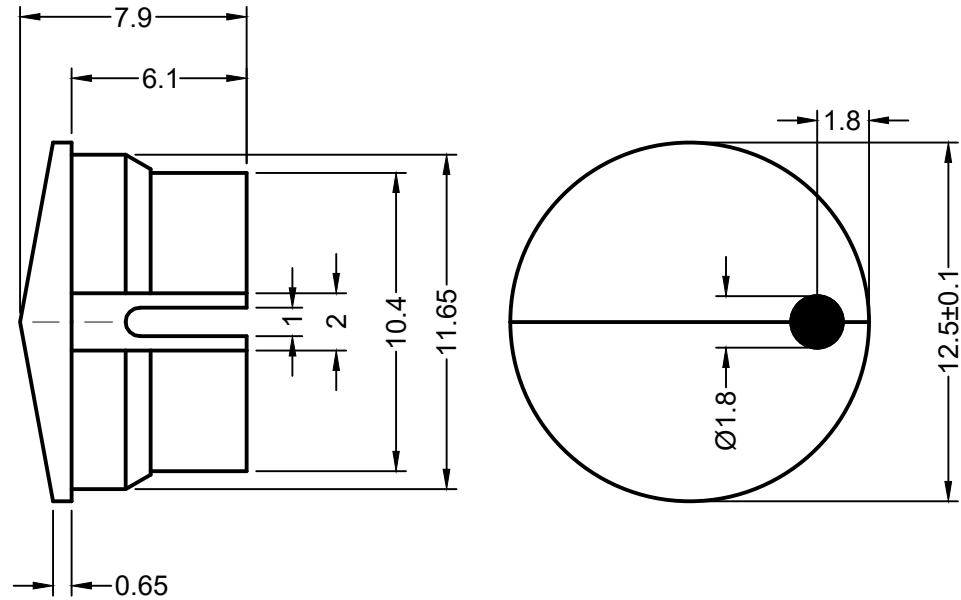


MATERIAL & FINISH:
Polyamid 6, Matte Finish

RoHS
COMPLIANT



REV	DATE	CHANGE	CHK	CHK	APPR

P/N	COLORS
31-15-141	LT. GRAY
31-15-142	GRAY
31-15-143	BLACK
31-15-144	RED
31-15-145	BLUE
31-15-146	YELLOW
31-15-147	GREEN

TOLERANCE
UNLESS OTHERWISE SPECIFIED
X ± 1
X.X ± 0.4
X.XX ± 0.13

DRAWN BY	PB	DATE:	3/18/22
CHECK BY		DATE:	
APPR BY		DATE:	

Power Dynamics, Inc.

Phone: 973 560-0019 Whippany, New Jersey Fax: 973 560-0076

PART: 15MM PEAKED CAP
MATTE FINISH WITH POINTER

PART #:	31-15-14X	SHEET	1 of 1
SIZE:	A	ALL DIMENSIONS FOR REFERENCE ONLY	
SCALE:	NTS	DIMENSIONS ARE IN MILLIMETERS	REV: