

- Notes
1. MATERIAL: REFER TO TABLES.
  2. PACKAGE SPEC. REFER TO PK OF 2128600001
  3. PRODUCT SPEC. REFER TO PS OF 2144140001
  4. APPLICATION SPEC. REFER TO AS OF 2144140001

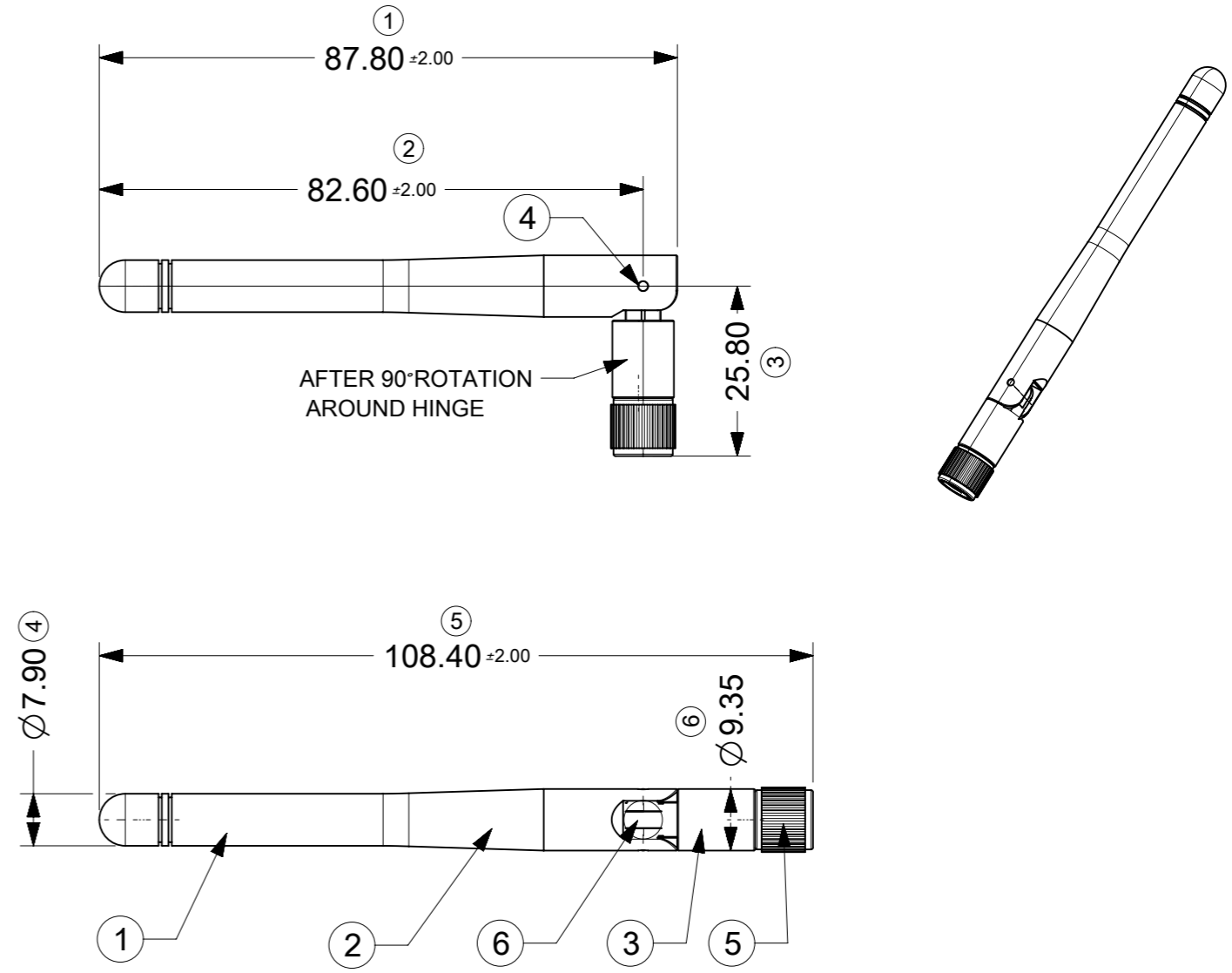
PN:2144140001--MOLEX ISM/DSRC ANTENNA HINGED (BLACK, SMA-M)			
NO.	DESCRIPTION	MATERIAL	Q'TY
1	ANTENNA CAP	TPEE, COLOR: BLACK	1
2	UPPER BASE	PBT+PC,COLOR:BLACK	1
3	BOTTOM BASE	PBT+PC, COLOR: BLACK	1
4	RIVET	POM ,COLOR :BLACK	2
5	CONNECTOR	SMA-MALE STRAIGHT PLUG FOR RG-178	1
6	CABLE	RG-178 CABLE TRANSPARENCY BROWN,50Ω	1

PN:2144140011--MOLEX ISM/DSRC ANTENNA HINGED (BLACK, RP-SMA-M)			
NO.	DESCRIPTION	MATERIAL	Q'TY
1	ANTENNA CAP	TPEE, COLOR: BLACK	1
2	UPPER BASE	PBT+PC,COLOR:BLACK	1
3	BOTTOM BASE	PBT+PC, COLOR: BLACK	1
4	RIVET	POM ,COLOR :BLACK	2
5	CONNECTOR	RP-SMA-MALE STRAIGHT PLUG	1
6	CABLE	RG-178 CABLE TRANSPARENCY BROWN,50Ω	1

PN:2144141001--MOLEX ISM/DSRC ANTENNA HINGED (WHITE, SMA-M)			
NO.	DESCRIPTION	MATERIAL	Q'TY
1	ANTENNA CAP	TPEE, COLOR: WHITE	1
2	UPPER BASE	PBT+PC,COLOR:WHITE	1
3	BOTTOM BASE	PBT+PC, COLOR: WHITE	1
4	RIVET	POM ,COLOR :WHITE	2
5	CONNECTOR	SMA-MALE STRAIGHT PLUG FOR RG-178	1
6	CABLE	RG-178 CABLE TRANSPARENCY BROWN,50Ω	1

PN:2144141011--MOLEX ISM/DSRC ANTENNA HINGED (WHITE,RP- SMA-M)			
NO.	DESCRIPTION	MATERIAL	Q'TY
1	ANTENNA CAP	TPEE, COLOR: WHITE	1
2	UPPER BASE	PBT+PC,COLOR:WHITE	1
3	BOTTOM BASE	PBT+PC, COLOR: WHITE	1
4	RIVET	POM ,COLOR :WHITE	2
5	CONNECTOR	RP-SMA-MALE STRAIGHT PLUG FOR RG-178	1
6	CABLE	RG-178 CABLE TRANSPARENCY BROWN,50Ω	1

REV	CHANGE HISTORY	DATE
A	FIRST RELEASE	20191009
B	NO DRAWING CONTENT CHANGE, JUST DRAWING TYPE CHANGE	20191122



CONFIGS	PN	DESCRIPTION
1	2144140001	MOLEX ISM/DSRC ANTENNA HINGED (BLACK, SMA-M)
2	2144140011	MOLEX ISM/DSRC ANTENNA HINGED (BLACK, RP-SMA-M)
3	2144141001	MOLEX ISM/DSRC ANTENNA HINGED (WHITE, SMA-M)
4	2144141011	MOLEX ISM/DSRC ANTENNA HINGED (WHITE, RP-SMA-M)

SYMBOLS		THIS DRAWING CONTAINS INFORMATION THAT IS PROPRIETARY TO MOLEX ELECTRONIC TECHNOLOGIES, LLC AND SHOULD NOT BE USED WITHOUT WRITTEN PERMISSION		CURRENT REV DESC:		<b>molex</b>	
▽ = 0	mm	SCALE		EC NO: 627922			
▽ = 0	GENERAL TOLERANCES (UNLESS SPECIFIED)	DRWN: CZHOU05		2019/11/22		MOLEX ISM/DSRC ANTENNA_HINGED	
▽ = 0	ANGULAR TOL ± °	CHK'D: KCHENG06		2019/11/28		PRODUCT CUSTOMER DRAWING	
▽ = 0	4 PLACES ±	APPR: KCHENG06		2019/11/28		DOCUMENT NUMBER	
▽ = 0	3 PLACES ± 0.2	INITIAL REVISION:		DRWN: CZHOU05		2019/10/17	
▽ = 0	2 PLACES ± 0.3	DRWN: CZHOU05		2019/10/28		2144140001	
▽ = 0	1 PLACE ± 0.4	APPR: WORKFLOWGUY		2019/10/28		PSD SD B	
▽ = 0	0 PLACES ±	THIRD ANGLE PROJECTION		DRAWING		SERIES	
□ = 0	DRAFT WHERE APPLICABLE MUST REMAIN WITHIN DIMENSIONS	A3-SIZE		214414		MATERIAL NUMBER	
▽ = 0		SEE TABLE		CUSTOMER		SHEET NUMBER	
						1 OF 1	