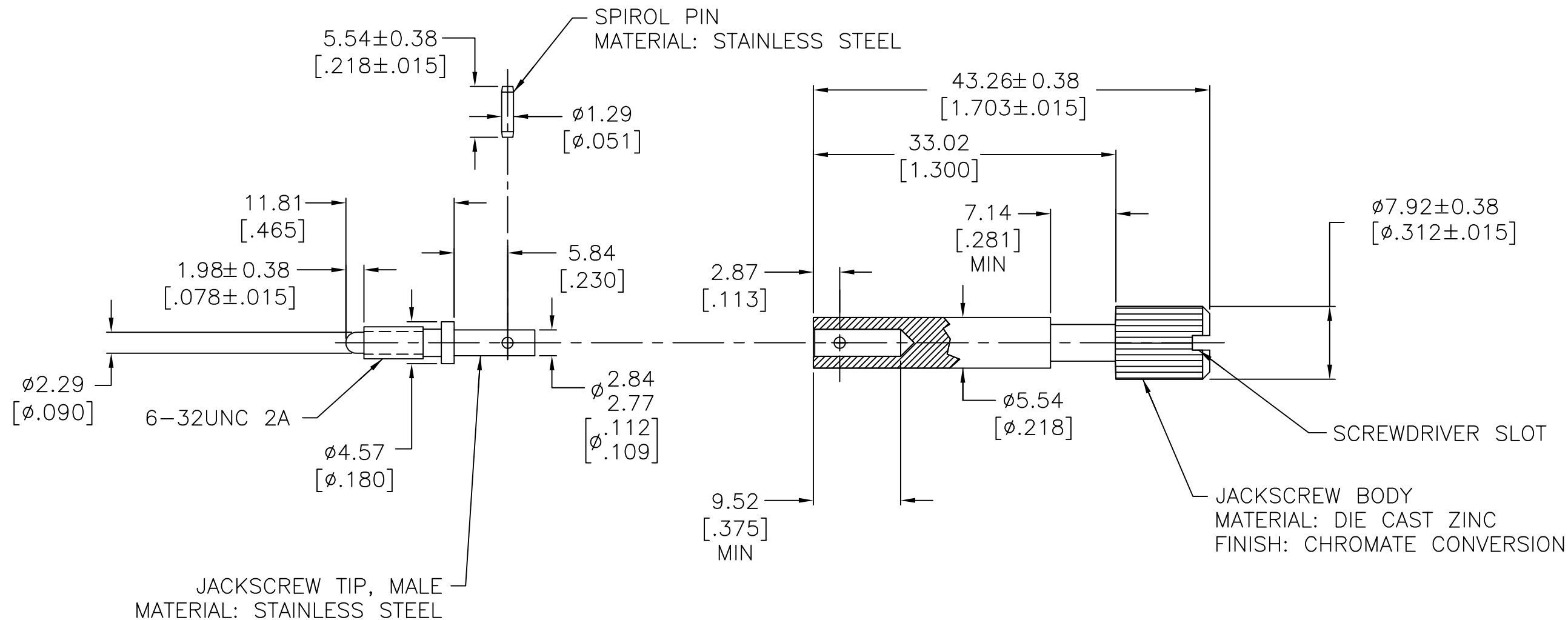


P	LTR	DESCRIPTION	DATE	DWN	APVD
	M1	REVISED PER ECO-11-005027	11MAR11	RK	HMR
	N	REVISED PER ECO-17-011042	01AUG2017	RS	MZ



2 NON-HEXAVALENT CHROMATE COATING ON JACKSCREW BODY.

3 SPECIAL PACKAGING - ONE UNASSEMBLED UNIT PER BAG.

OBSOLETE	2	3	201413-5
	2		201413-4
	2		201413-1
	NOTES		PART NUMBER

THIS DRAWING IS A CONTROLLED DOCUMENT.		DWN M.BINNER 09/27/94	TE Connectivity	
DIMENSIONS: mm [INCHES]		CHK R.STONE 1-20-95		
TOLERANCES UNLESS OTHERWISE SPECIFIED:		APVD -	NAME JACKSCREW KIT, UNASSEMBLED, MALE, M SERIES	
0 PLC ± - 1 PLC ± - 2 PLC ± 0.13 [.005] 3 PLC ± - 4 PLC ± - ANGLES ± -		PRODUCT SPEC -	SIZE A3	
MATERIAL SEE CALLOUT		FINISH SEE CALLOUT	CAGE CODE 00779	DRAWING NO C=201413
		WEIGHT -	RESTRICTED TO -	
CUSTOMER DRAWING			SCALE 2:1	SHEET 1 OF 1
			REV N	