

4

3

2

1

THIS DRAWING IS UNPUBLISHED.

RELEASED FOR PUBLICATION

20

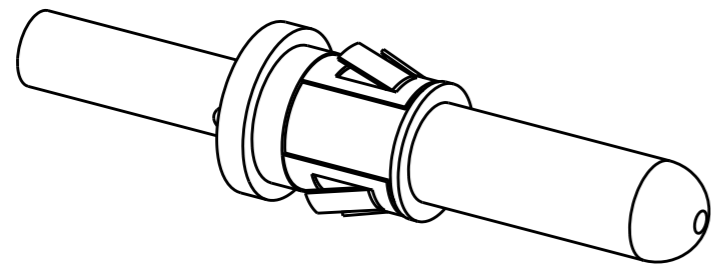
© COPYRIGHT 20

BY TYCO ELECTRONICS CORPORATION. ALL INTERNATIONAL RIGHTS RESERVED.

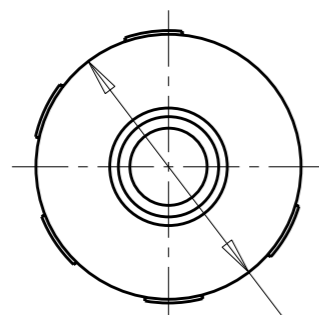
LOC GP DIST 00

REVISIONS

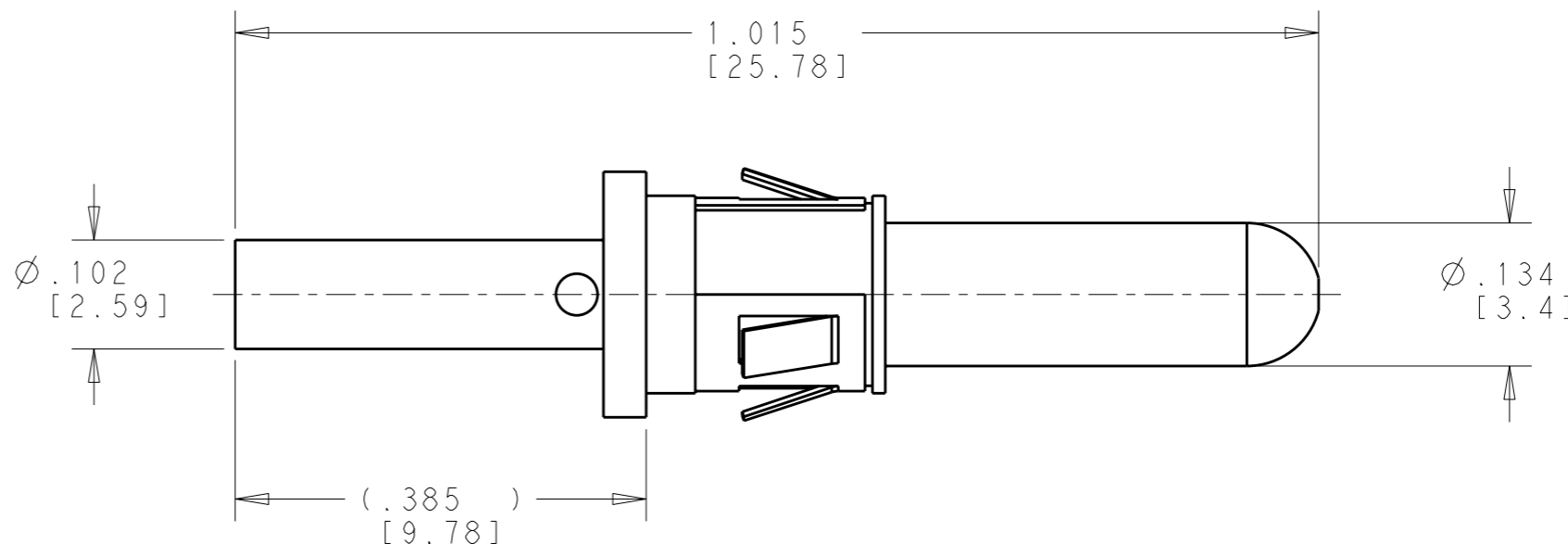
P	LTR	DESCRIPTION	DATE	DWN	APVD
1		PROPOSED DESIGN	15DEC2009	RG	GS
2		REVISED	09FEB2010	RG	DO



SCALE 4:1



Ø .230 [5.84]



1 MATERIAL:
 PIN BODY: COPPER ALLOY
 RETENTION CLIP: STAINLESS STEEL

2 FINISH:
 PIN BODY: GOLD PLATE .000030 (0.76µm) MIN THK GOLD OVER
 .000050 (1.27µm) MIN THK NICKEL

3. WIRE BARREL WILL ACCEPT No.18 - 16 AWG WIRE

4. MATES WITH P/N 1986607-1

THIS PRINT IS
PRELIMINARY
 UNQUALIFIED PRODUCT
 CONTACT PRODUCT ENGINEERING
 BEFORE USING THIS PRINT

AS SHOWN	1986601-1
DESCRIPTION	PART NO.

<small>THIS DRAWING IS A CONTROLLED DOCUMENT FOR TYCO ELECTRONICS CORPORATION IT IS SUBJECT TO CHANGE AND THE CONTROLLING ENGINEERING ORGANIZATION SHOULD BE CONTACTED FOR THE LATEST REVISION.</small>		DWN R.GRZYBOWSKI 15DEC2009 CHK G.STEINHAUER 15DEC2009 APVD M.PERCHERKE 15DEC2009		Tyco Electronics Harrisburg, PA 17105-3608	
DIMENSIONS: INCHES [mm]		TOLERANCES UNLESS OTHERWISE SPECIFIED: 0 PLC ±- 1 PLC ±- 2 PLC ±.02 [0.5] 3 PLC ±.010 [0.25] 4 PLC ±- ANGLES ±-		NAME PIN, POWER MODIFIED 18 - 16 AWG	
MATERIAL -		FINISH -		PRODUCT SPEC - APPLICATION SPEC - WEIGHT -	
CUSTOMER DRAWING		SCALE 6:1		SHEET 1 OF 1 REV 2	
SIZE A3		CAGE CODE 00779		DRAWING NO C-1986601	