

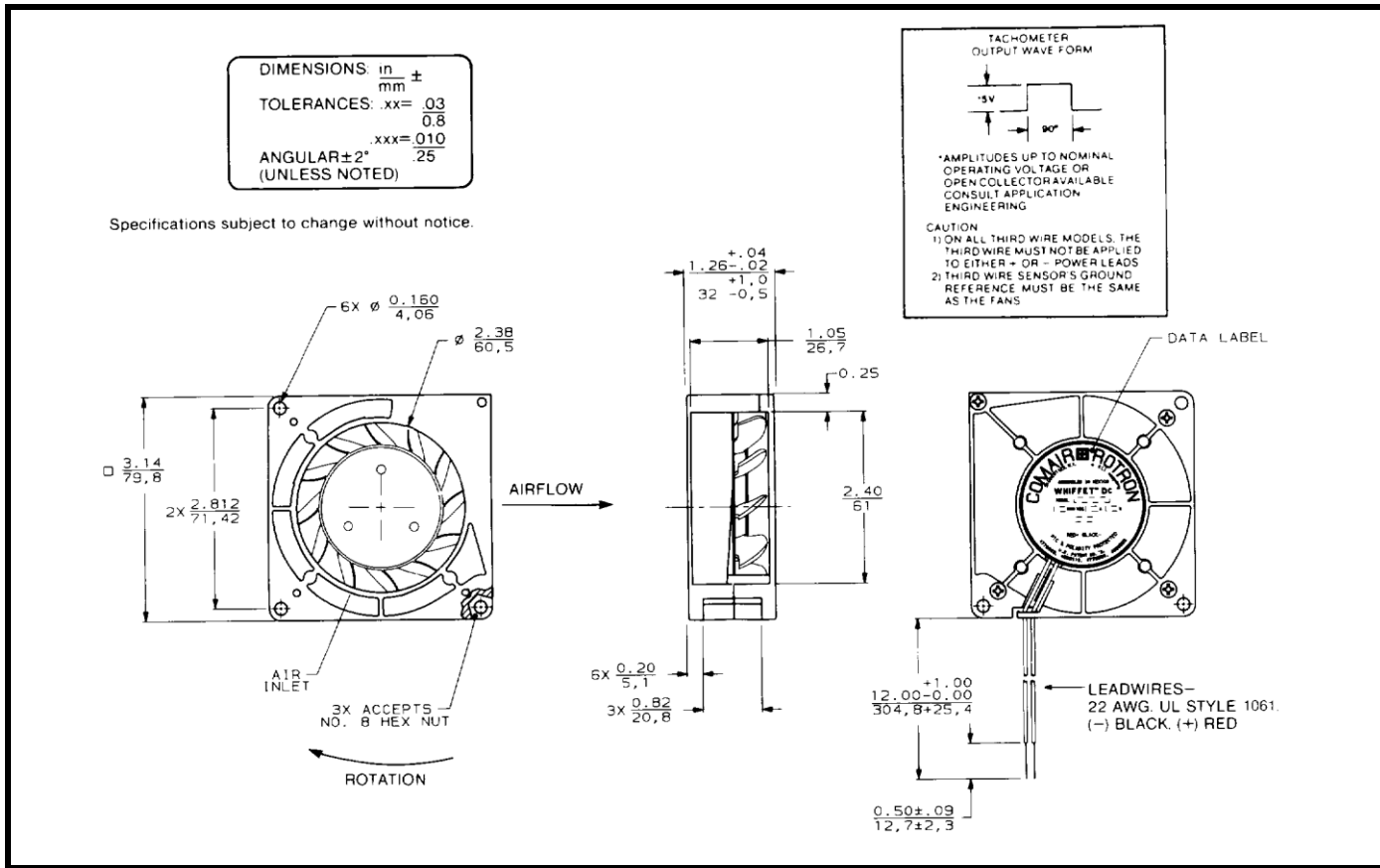
SPECIFICATIONS



Model Number: WT12B3
Part Number: 19031101A

Version: 01
Jan 12, 2018

Mechanical Drawing:



Motor:

Nominal Voltage = 12 vdc
 Operating Voltage Range = 6 - 14 vdc
 Nominal Running Current = 0.420 amps
 Max. Locked Rotor Current = 1.12 amps
 Running Power = 5.0 watts
 Average Speed = 4050 rpm
 Bearings = Ball
 Air Flow = 15 cfm
 Acoustic = 51.4 dBA

Construction:

Venturi: Plastic, Black, UL 94V-0
 Propeller: Plastic, Black, UL 94V-0

Life Expectancy:

This fan is designed for continuous duty life of 55,000 hours at 70°C.

Additional Features:

Brushless DC motor
 Locked Rotor Protection
 Polarity Protected
 Automatic Restart Capability
 Operating Temperature: -10°C to 70°C
 Storage Temperature: -40°C to 85°C

Termination:

12" Lead wires, 22 AWG, UL 1061

Red = Power (+)

Black = Return (-)

Agency Approvals:

UL, CUL, CE

PQ Curve:

