

6

5

4

3

2

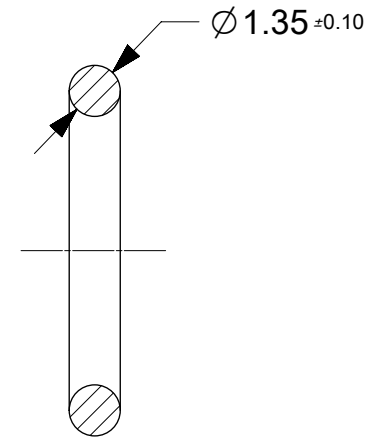
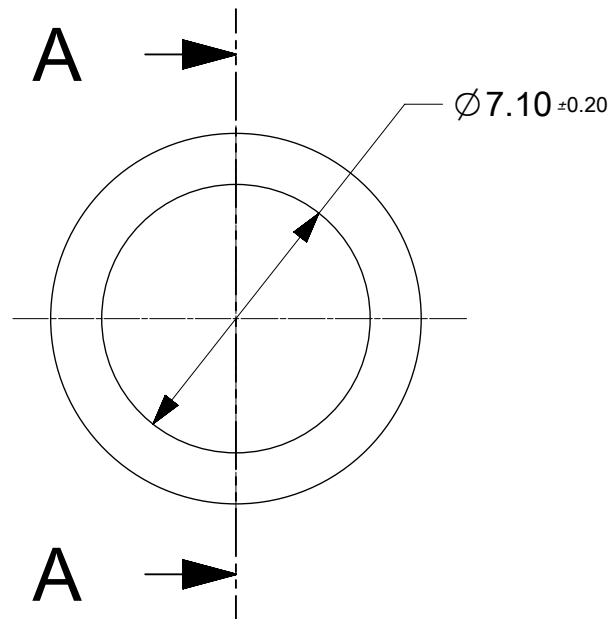
1

D

C

B

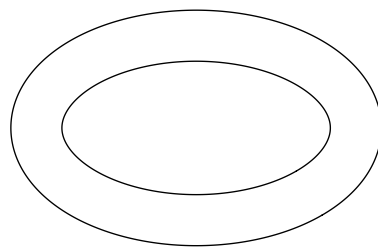
A




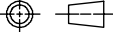
SECTION A-A

NOTES:

1. MATERIAL: FPM, RED, 60 SHORE



THIS DRAWING CONTAINS INFORMATION THAT IS PROPRIETARY TO MOLEX INCORPORATED AND SHOULD NOT BE USED WITHOUT WRITTEN PERMISSION

EC DESCRIPTION		QUALITY SYMBOLS		GENERAL TOLERANCES (UNLESS SPECIFIED)		DIMENSION UNITS		SCALE					
EC NO: 100775	2015/07/14	∇ = 0		ANGULAR TOL $\pm 0.5^\circ$	mm	5:1	DRWN BY: MSCHAUER DATE: 2015/03/16		GASKET OR FPM 7.1X1.35 RD 60				
DRWN: KGRUEDL	2015/07/21	∇ = 0		4 PLACES \pm	CHK'D BY: DATE:		APPR BY: DATE: RSILLER 2015/04/17						PRODUCT CUSTOMER DRAWING
CHK'D: RSILLER	2015/07/21	∇ = 0		3 PLACES \pm	DRAWING SIZE: A4		THIRD ANGLE PROJECTION		SERIES: 120204	MATERIAL NUMBER: 1202040002		CUSTOMER: GENERAL MARKET	
REV APPR: RSILLER		∇ = 0		2 PLACES ± 0.05	DRAFT WHERE APPLICABLE MUST REMAIN WITHIN DIMENSIONS				DOCUMENT NUMBER: 1202040002		DOC TYPE: PSD	DOC PART: 000	SHEET NUMBER: 1 OF 1
		∇ = 0		1 PLACE ± 0.1					1202040002		000		1 OF 1
A1		∇ = 0		0 PLACES \pm									

6

5

4

3

2

1