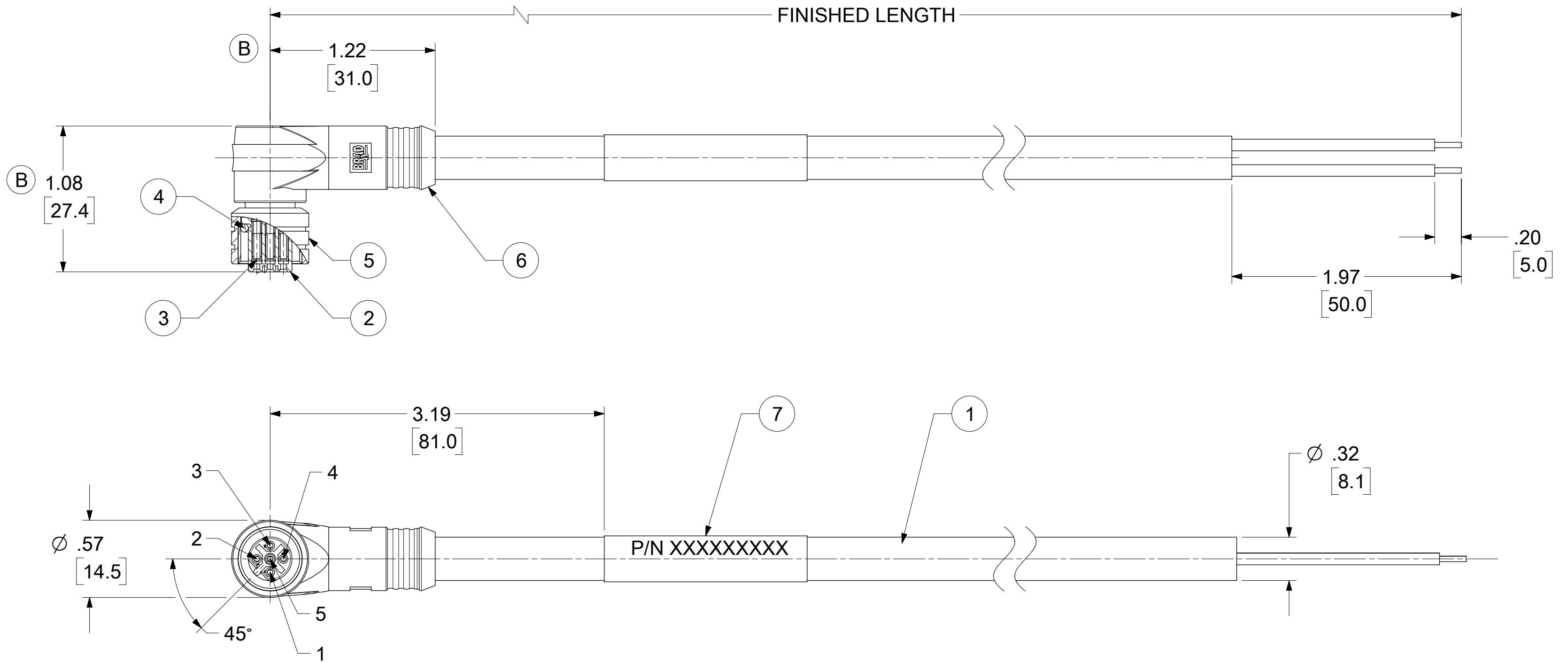


PART NO.	ENG. NO.	FINISHED LENGTH
1200390132	B05S01PP4M010	1.0M [3FT 3.0IN]
1200390134	B05S01PP4M040	4.0M [13FT 1.4IN]
1200985018	B05S01PP4M090	9.0M [29FT 6.2IN]
1200988056	B05S01PP4M200	20.0M [65FT 7.2IN]

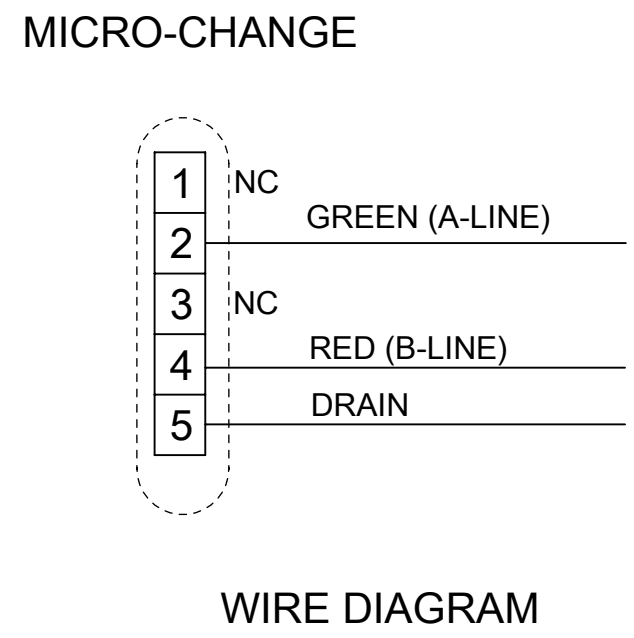


- NOTES:**
1. MATERIAL: AS NOTED
 2. FINISH: AS NOTED
 3. ELECTRICAL:
VOLTAGE; 250V AC/DC
CURRENT: 4A
 4. TEMP RATING: -20°TO +80°C
 5. PROTECTION: IP67 (WHEN MATED)
 6. COUPLING THREAD: M12 X 1
 7. ALL DIMS ARE FOR REFERENCE UNLESS TOLERANCED OR NOTED OTHERWISE

PART NUMBER MATRIX

B05S01PP4M010

LENGTH
M001 = .1 METERS
M010 = 1.0 METERS
M100 = 10 METERS



ITEM	DESCRIPTION	MATERIAL	FINISH
7	WRAP LABEL	VINYL	BLACK/YELLOW
6	OVERMOLD	PUR	YELLOW
5	COUPLING	BRASS	NICKEL PLATED
4	O-RING	FPM	RED
3	CONTACT	Cu ALLOY	GOLD PLATED
2	INSERT, 5 POLE, SHIELDED	PUR	BLACK
1	CABLE, PROFIBUS	PUR JACKET	VIOLET

CABLE LENGTH TOLERANCES

<.3M [1FT]: +19mm-0 [+.75in-0]

.3 - .9M [1 - 3FT]: +44.5mm-0 [+1.75in-0]

.9 - 1.8M [3 - 6FT]: +55.6mm-0 [+2.19in-0]

1.8 - 3.7M [6 - 12FT]: +88.9mm-0 [+3.50in-0]

3.7 - 7.3M [12 - 24FT]: +165.1mm-0 [+6.50in-0]

7.3-14.6M [24 - 48FT]: +317.5mm-0 [+12.50in-0]

14.6 - 30.5M [48-100FT]: +622.3mm-0 [+24.50in-0]

OVER 30M [100FT] +2% OF FINISHED LENGTH

FUNCTIONAL SYMBOLS	THIS DRAWING CONTAINS INFORMATION THAT IS PROPRIETARY TO MOLEX ELECTRONIC TECHNOLOGIES, LLC AND SHOULD NOT BE USED WITHOUT WRITTEN PERMISSION			
	DIMENSION UNITS	SCALE	CURRENT REV DESC: REDRAWN TO NX, O-MOLD CHANGED PER 5901 MFG STD., ADD P/N MATRIX, UPDATE NOTES	
$\frac{F}{A} = 0$	IN/MM	1.5:1		
$\frac{F}{C} = 0$	GENERAL TOLERANCES (UNLESS SPECIFIED)			
$\frac{F}{P} = 0$		MM	INCH	
DIVISIONAL SYMBOLS	4 PLACES	±	±	EC NO: 704283
	3 PLACES	±	±	DRWN: RSTONE 2022/04/21
	2 PLACES	±	±	CHK'D: MZIELINSKI 2022/04/22
	1 PLACE	±	±	APPR: BWOODMAN 2022/04/22
	0 PLACES	±	±	INITIAL REVISION:
	ANGULAR TOL	±	°	DRWN: DW 2009/07/28
	DRAFT WHERE APPLICABLE MUST REMAIN WITHIN DIMENSIONS			APPR: JFMURPHY 2009/07/28
		THIRD ANGLE PROJECTION	DRAWING	SERIES
			C-SIZE	120039
			MATERIAL NUMBER	CUSTOMER
			SEE P/N MATRIX	GENERAL MARKET
			DOCUMENT NUMBER	DOC TYPE DOC PART REVISION
			SD-120039-003	PSD 001 B
			SHEET NUMBER	1 OF 1