

6

5

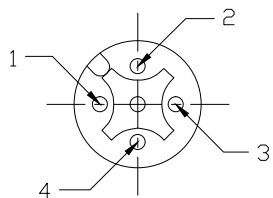
4

3

2

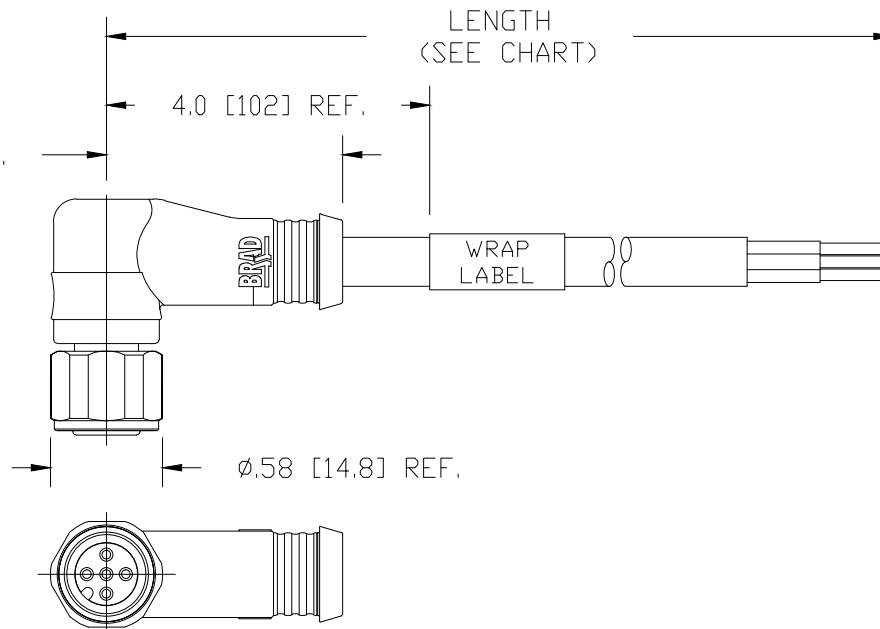
1

FRONT VIEW - FEMALE INSERT



- 1 - RED
- 2 - RED/WHITE
- 3 - RED/BLACK
- 4 - GREEN

1.23 [31.2] REF.



NOTES:

MATERIALS:
 CONTACTS: COPPER ALLOY, GOLD/NICKEL PLATING
 CONTACT CARRIER: NYLON, BLACK
 MOLDED BODY: PVC, YELLOW
 COUPLER: 316 STAINLESS STEEL

ELECTRICAL:
 CURRENT RATING: 4AMP MAX
 VOLTAGE RATING: 250V

MECHANICAL:
 TEMPERATURE: -20° TO 80°C
 INGRESS PROTECTION: IP67

CABLE SPECIFICATIONS:
 CABLE JACKET: PVC, YELLOW
 CONDUCTORS: #18/4, PVC

PART NUMBER	ENGINEERING NO.	LENGTH
1200652169	804001A03M0208	6.56' +3.50" -0 [2.0M +89mm -0]

CUSTOMER PRODUCTION APPROVAL
 APPROVED BY: _____
 DATE: _____
 MUST BE SIGNED AND RETURNED BEFORE
 PRODUCTION WILL BEGIN.

RESTRICTED SALES DRAWING

CORRECT COLOR CODE EC NO: WEU2010-0539 DRWN: LHARTMAN 5/7/10 CHKD: TWOLDEGE APPR: JFMURPHY 2010/02/10	QUALITY SYMBOLS	DESCRIPTION
	$\nabla=0$ $\nabla/C=0$	

GENERAL TOLERANCES (UNLESS SPECIFIED)	
	DIMENSION STYLE INCH ONLY
	SCALE 1:1 DESIGN UNITS INCH
4 PLACES	±---
3 PLACES	±---
2 PLACES	±---
1 PLACE	±---
ANGULAR ±---°	
DRAFT WHERE APPLICABLE MUST REMAIN WITHIN DIMENSIONS	

DRAWN BY	DATE
LHARTMAN	2010/01/05
CHECKED BY	DATE
TWOLDEGE	2010/01/15
APPROVED BY	DATE
JFMURPHY	2010/02/10
MATERIAL NO.	SEE TABLE
SIZE	A

THIRD ANGLE PROJECTION	
TITLE MICRO CHANGE PORTABLE 4-POLE FEMALE 90DEGREE #18/4 YELLOW PVC CABLE	
MOLEX INCORPORATED	
DOCUMENT NO.	SD-120065-025
SHEET NO.	1 OF 1
THIS DRAWING CONTAINS INFORMATION THAT IS PROPRIETARY TO MOLEX INCORPORATED AND SHOULD NOT BE USED WITHOUT WRITTEN PERMISSION	

6

5

4

3

2

1