

## General Specifications

**Motor Type:**

DC Brushless Motor

**Motor Protection:**

Auto Restart / Polarity Protection (Motor withstands reverse connection for positive and negative leads.)

**Insulation Resistance:**

10MΩ or over with a DC 500V Megger

**Dielectric Withstand Voltage:**

AC 700V 1sec or 500V 1min

**Allowable Ambient Temperature Range:**

-10°C ~ + 60°C (Operating)

-40°C ~ + 70°C (Storage)

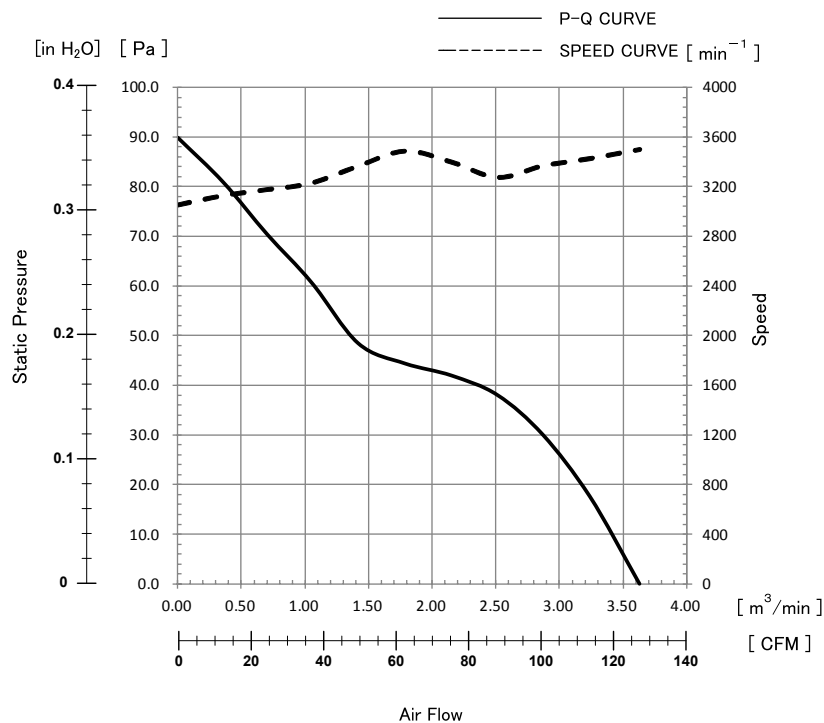
(non-condensing environment)

**Installation:**

Fans to be installed with leadwire pointing downward to avoid water ingress to the motor.



## Characteristic Curves



## Features

- Meets IP55 rating and below per IEC 60529 standard
- Long life and high reliability with NMB rust resistant precision ball bearings
- Open Drain Tacho Signal output for fan speed

## Life Expectancy L10

40,000 Hours at 60°C

\*Fan life expectancy is based on free air operation at 60°C, rated voltage, and indoor benign lab environment

\*1: Values in Free Air

## Specifications

MODEL	Rating Voltage (V)	Operating Voltage (V)	Current		Input Power		Speed (min <sup>-1</sup> )*1	Max. Air Flow		Max. Static Pressure		Noise (dB)*1	Mass (g)
			Avg	Max	Avg	Max		(CFM)	(m <sup>3</sup> /min)	(in H <sub>2</sub> O)	(Pa)		
			(A)*1	(A)*1	(W)*1	(W)*1							
11925SE-12R-FTD-W	12	7.0-13.8	0.62	0.86	7.44	10.32	3500	128.2	3.63	0.357	89	47.0	165
11925SE-24R-FTD-W	24	12.0-26.4	0.30	0.62	7.20	14.88	3500	128.2	3.63	0.357	89	47.0	165

## TACHO Specifications

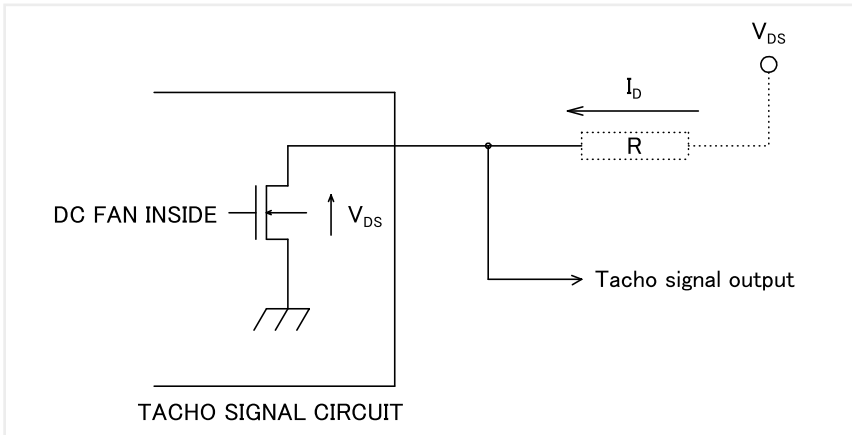
### Tachometer Signal

1. Output Circuit: Open Drain
2. Specification

*Absolute Maximum Ratings at Ta=25°C*

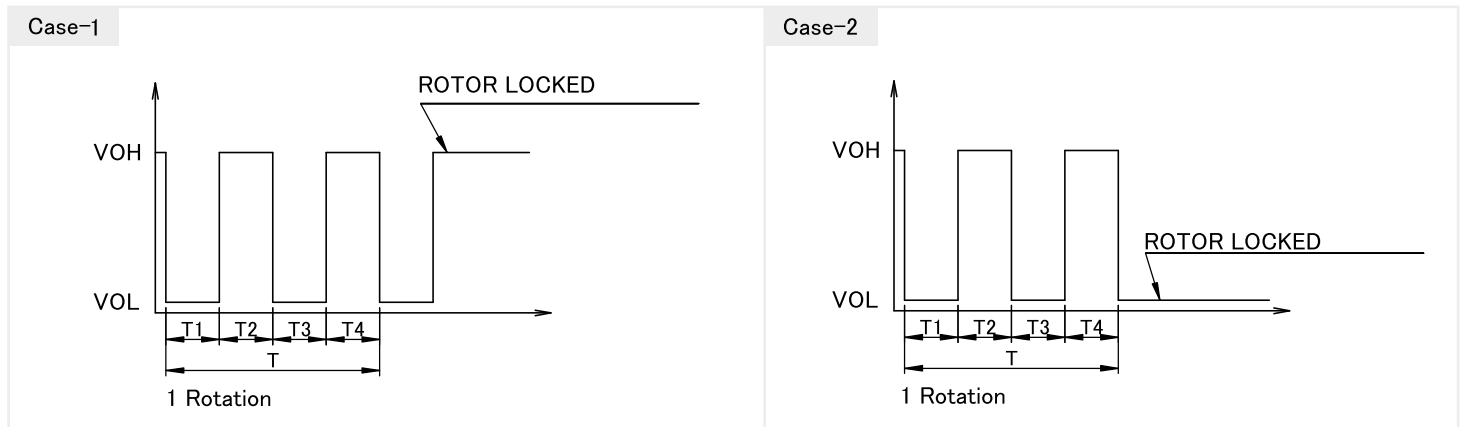
$V_{DS}max: +15V$

$I_Dmax: 5mA[V_{DS}(sat)max=0.5V]$



### 3. Output Waveform: At Rated Voltage

Output Signal Voltage



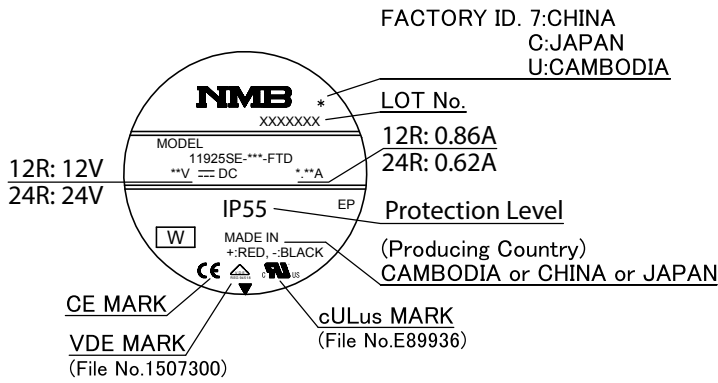
- 1) When the rotor is locked at VOH position of signal, signal keeps VOH position.
- 2) When the rotor is locked at VOL position of signal, signal keeps VOL position.
- 3)  $T=T1+T2+T3+T4=60/m=1$  rotation

m: Fan Speed ( $min^{-1}$ )

Tacho Duty Cycle=50%±10%

## Outlines

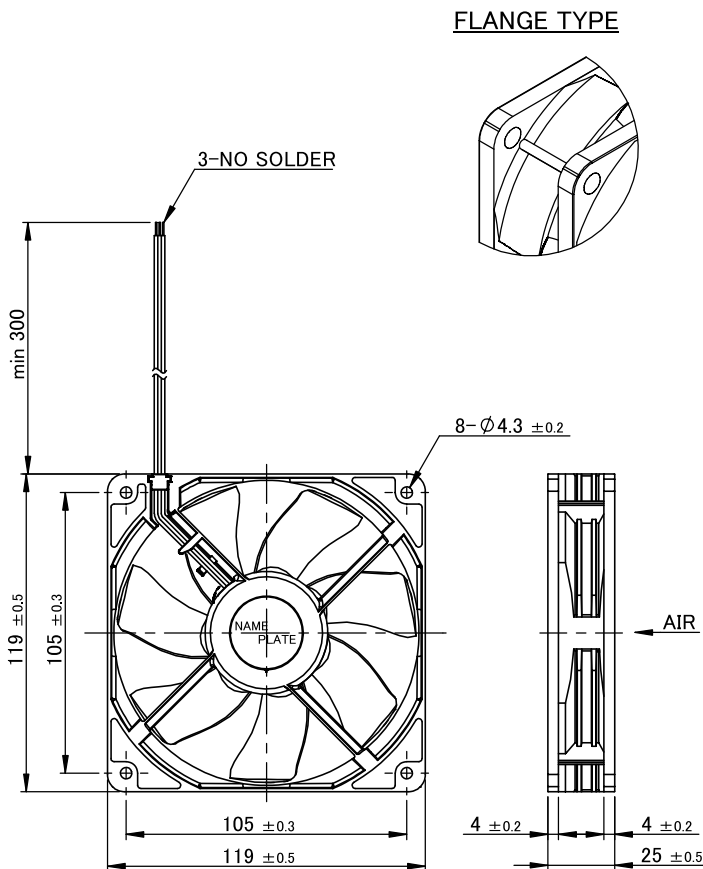
(Name Plate)



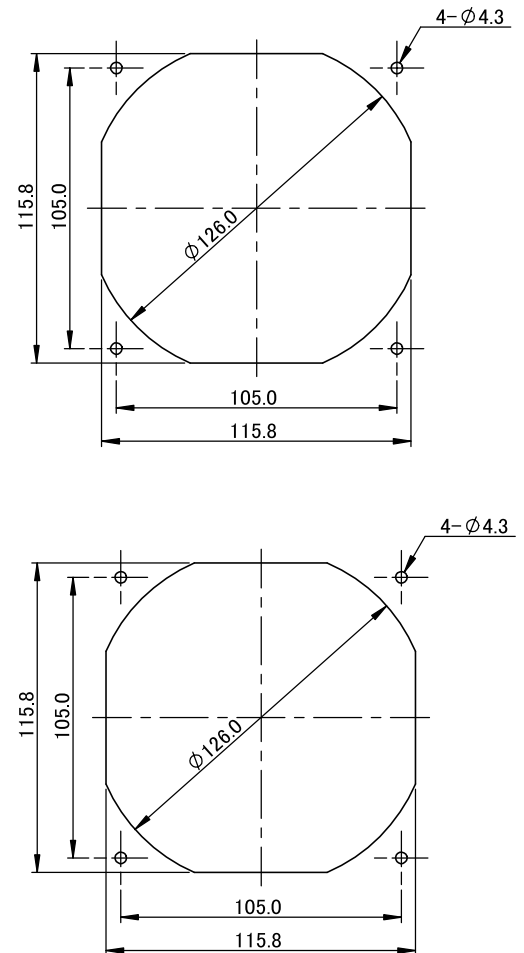
## Materials

**Caseing:** Plastic (Black UL94V-0)  
**Impeller:** Plastic (Black UL94V-0)  
**Bearing:** Ball Bearing  
**Lead Wire:** (+): Red (-) Black  
 Tacho: White

(Outline)



(Panel Out-line)



\*Install the fans with rotor impeller facing up or in vertical position to avoid water accumulation in the rotor cup.  
 \*IP protection does not provide long term reliability guarantee.