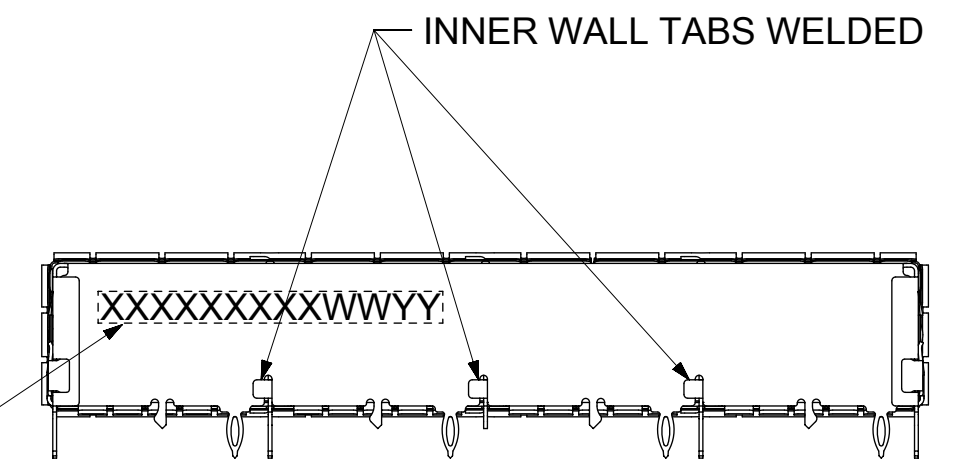
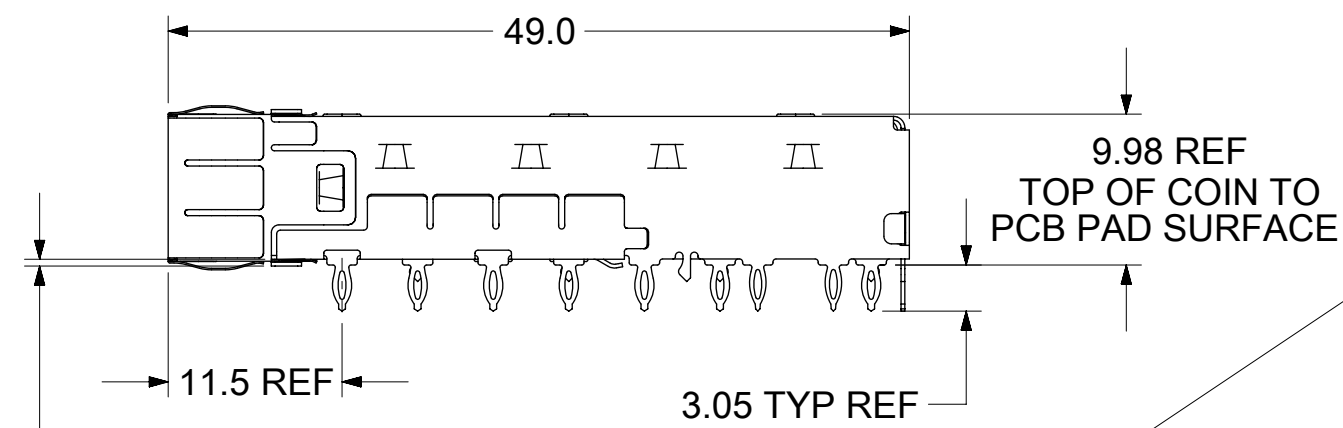
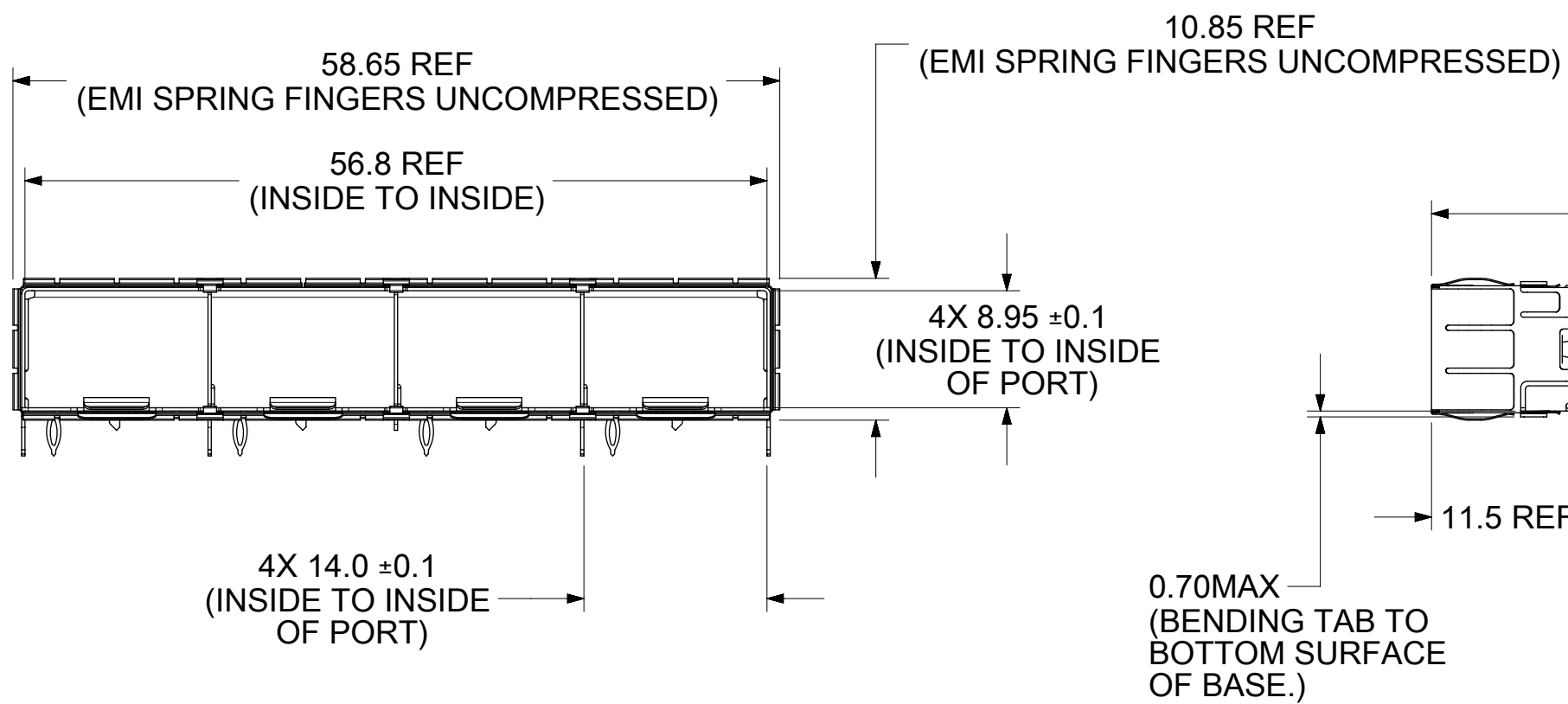
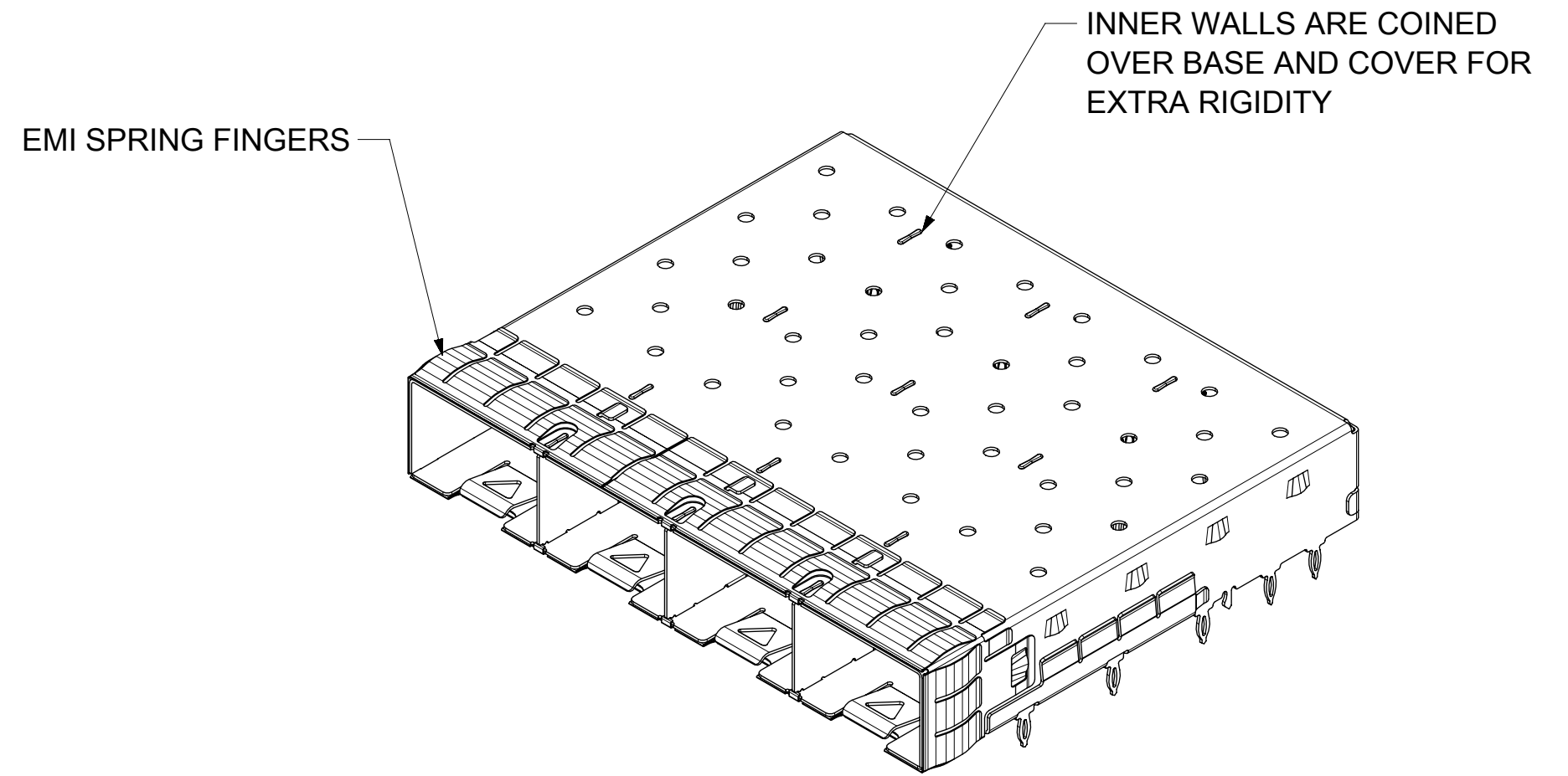
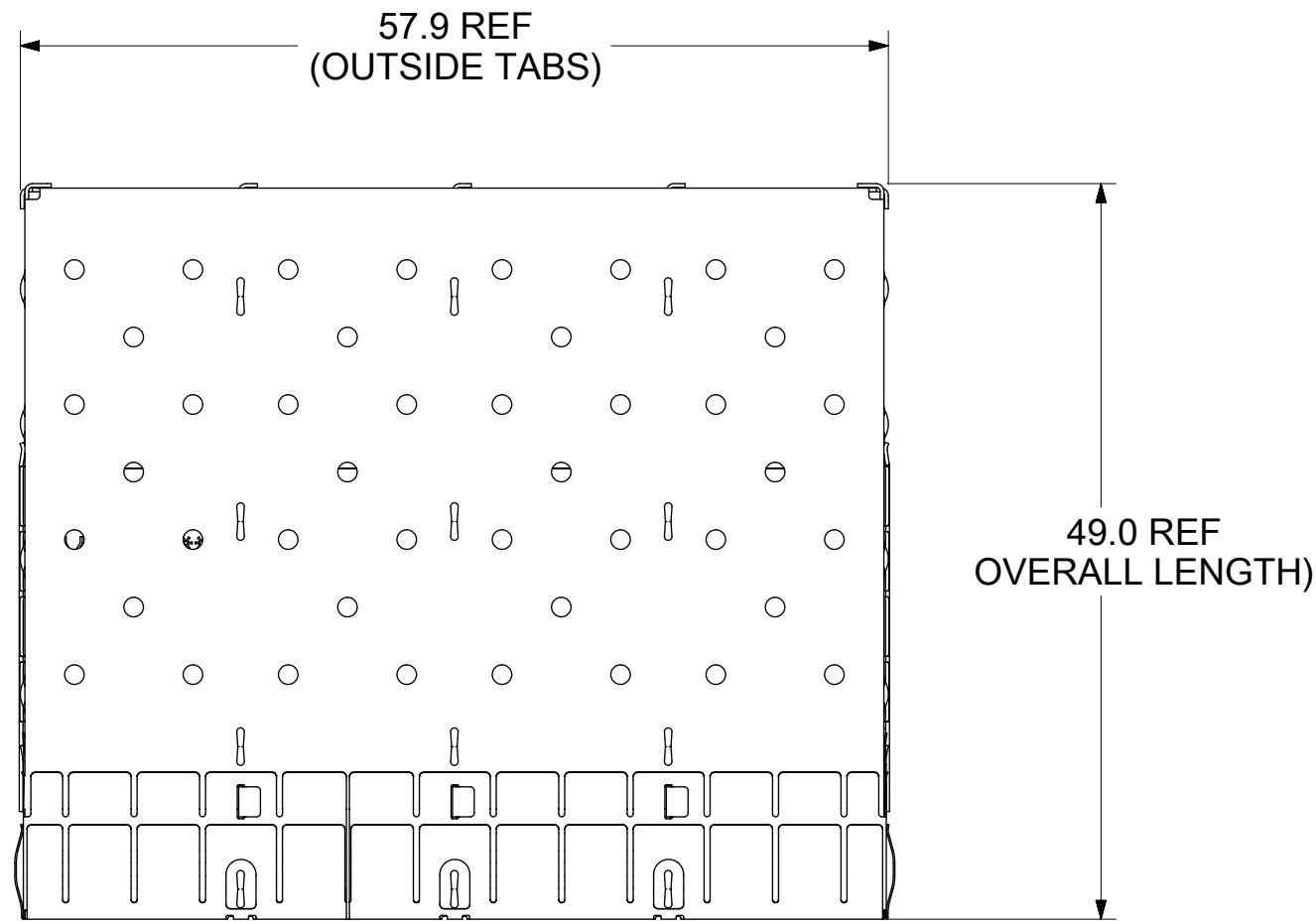


BASE CAGE DETAILS

(APPLIES TO ALL CAGES IN THIS DRAWING)

747548423

SHOWN



PART NO. AND WEEK/YEAR DATE CODE TO BE PRINTED ON THE BACK OF COMPLETED CAGE ASSEMBLY APPROXIMATELY AS SHOWN ON 74754 SERIES CAGE ASSEMBLIES.

NOTES:

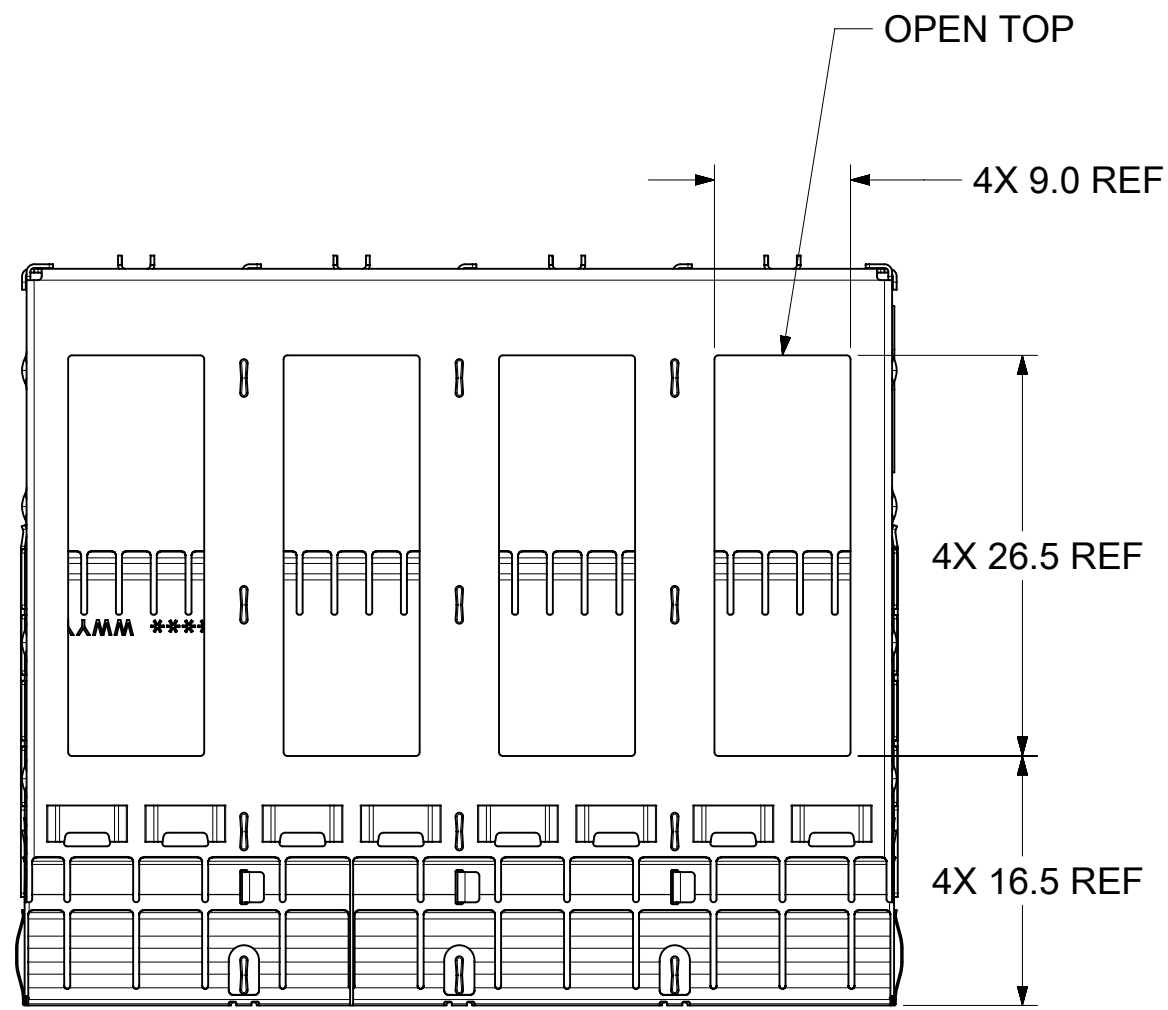
- MATERIAL:
CAGE: 0.25mm THICK COPPER ALLOY, NICKEL PLATED.
SPRING FINGERS: STAINLESS STEEL.
HEATSINK: ALUMINUM, NICKEL PLATED.
HEATSINK SPRING CLIP: STAINLESS STEEL.
- PRESS FIT LEGS 3.05mm LONG:
- PORTS ARE DESIGNED FOR SFP+ TRANSCEIVERS AND ARE COMPATIBLE WITH SFP TRANSCEIVERS.
THE TOP SURFACE OF THE MODULE MUST BE FLAT (NO PRODUCT LABEL RECESS)
AND THERMALLY CONDUCTIVE TO FUNCTION OPTIMALLY.
- WELD SPOT MAY SHOW SLIGHT MATERIAL DISCOLORATION.
- NO RoHS EXEMPTIONS.
- CUSTOM HEATSINKS AVAILABLE UPON REQUEST.

WEEK/YEAR DATE CODE TABLE	
WW	01 THRU 52 OR 53 EXAMPLE: 01 = FIRST WEEK OF YEAR 52 = LAST WEEK OF YEAR
YY	22, 23, 24,, ETC. EXAMPLE: YEAR 2022 = 22

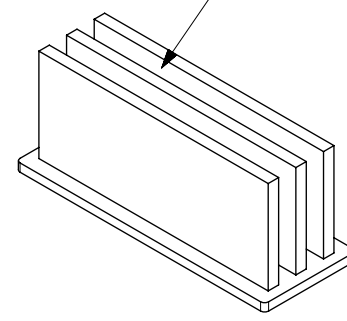
FUNCTIONAL SYMBOLS		THIS DRAWING CONTAINS INFORMATION THAT IS PROPRIETARY TO MOLEX ELECTRONIC TECHNOLOGIES, LLC AND SHOULD NOT BE USED WITHOUT WRITTEN PERMISSION		CURRENT REV DESC: SEE REVISION TABLE	
$\nabla_A = 0$	DIMENSION UNITS	SCALE			
	mm	2:1			
$\nabla_E = 0$	GENERAL TOLERANCES (UNLESS SPECIFIED)				
$\nabla_P = 0$	ANGULAR TOL ± 1.0°				
DIVISIONAL SYMBOLS		4 PLACES ±		EC NO: 707270	
		3 PLACES ±		DRWN: ABHILT2 2022/04/14	
		2 PLACES ± 0.15		CHK'D: TKUMARKC 2022/05/26	
		1 PLACE ± 0.25		APPR: SCHIEN 2022/06/01	
		0 PLACES ±		INITIAL REVISION:	
DRAFT WHERE APPLICABLE MUST REMAIN WITHIN DIMENSIONS		THIRD ANGLE PROJECTION		DRWN: ABHILT2 2022/04/14	
		DRAWING		APPR: SCHIEN 2022/06/01	
		C-SIZE		SERIES	
		111112		DOCUMENT NUMBER	
		SEE SHEET 3		111128421	
				DOC TYPE	
				PSD	
				DOC PART	
				ASY	
				REVISION	
				A	
				MATERIAL NUMBER	
				CUSTOMER	
				SHEET NUMBER	
				1 OF 7	

DOCUMENT STATUS	P1	RELEASE DATE	2022/06/01	06:40:57
-----------------	----	--------------	------------	----------

CAGE ASSEMBLY OPTIONS

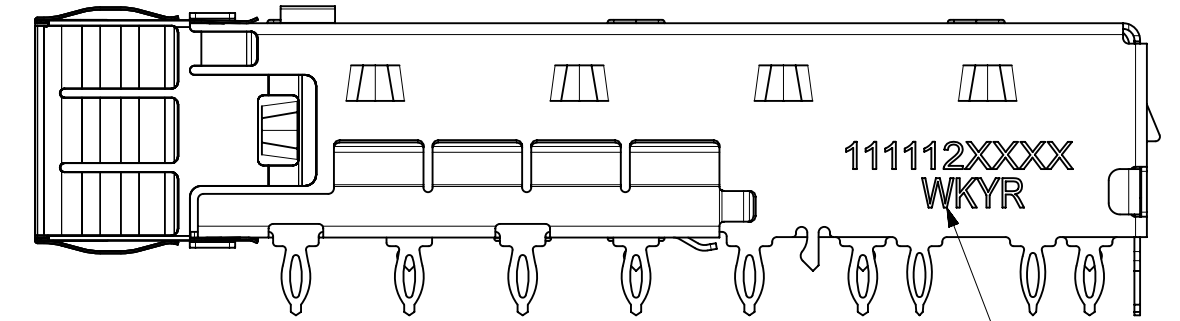


HEATSINK OPTIONS
CUSTOM FIN

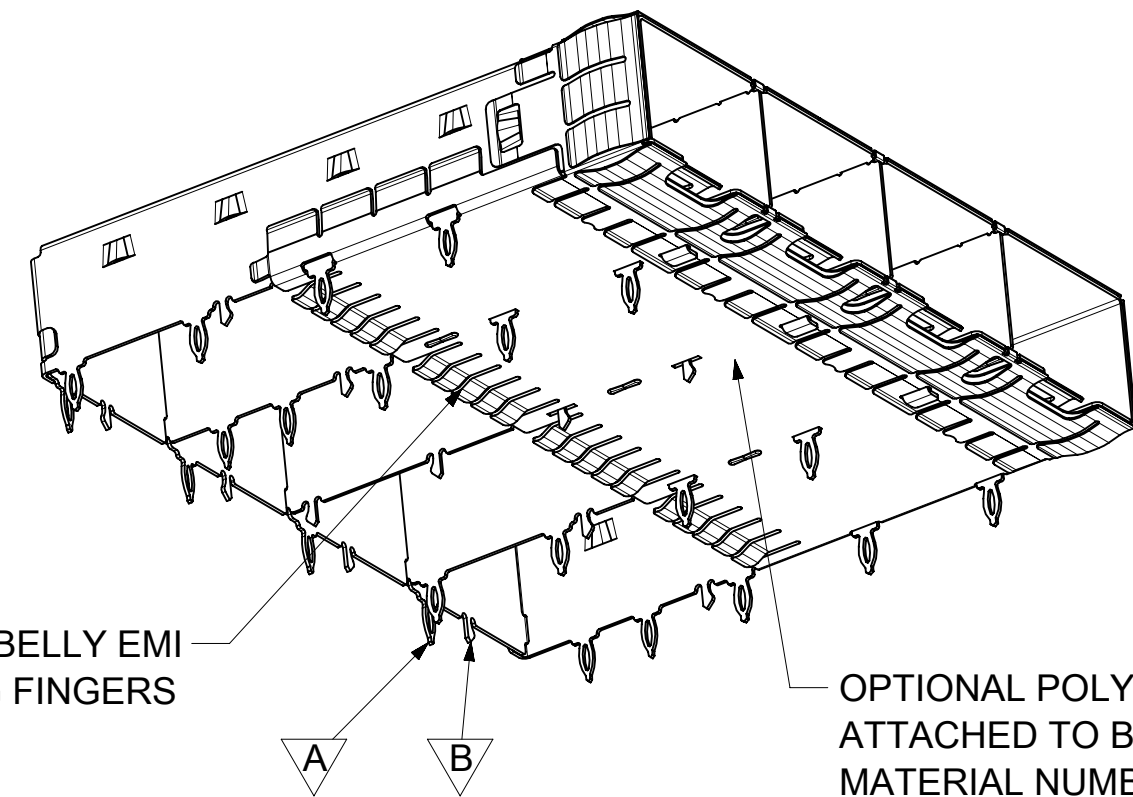
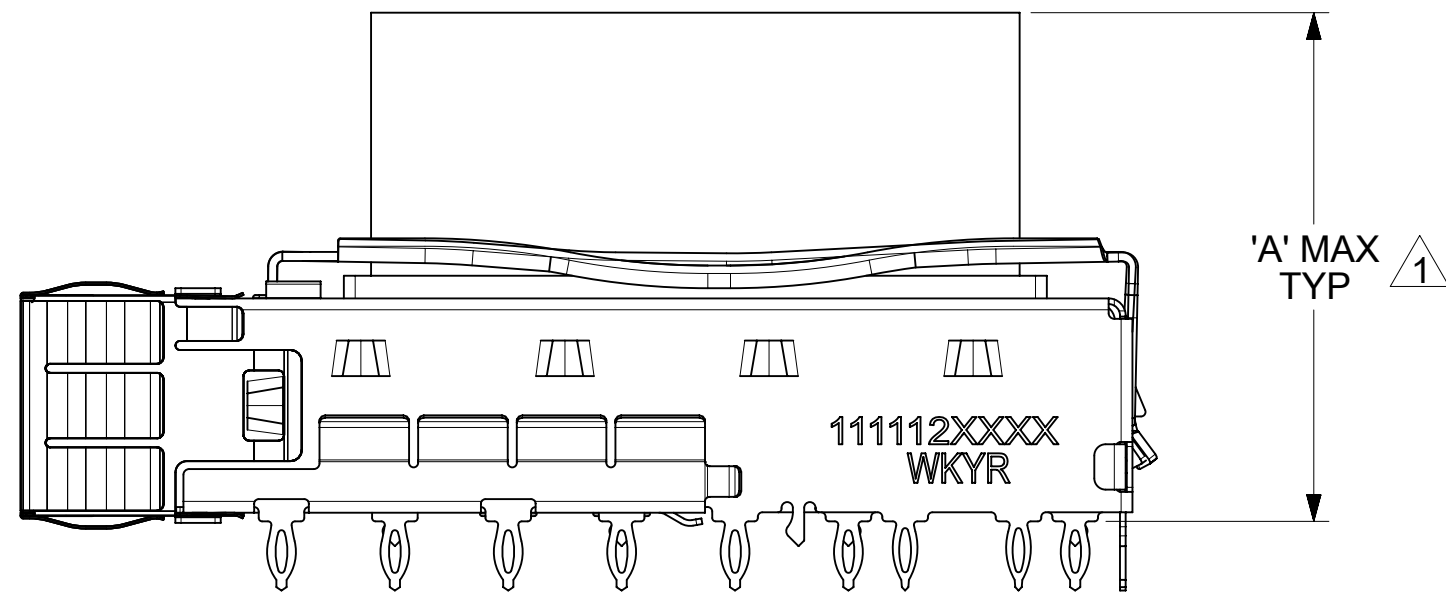


OVERALL HEATSINK HEIGHT

APPLICATION	DIM 'A'
CUSTOM	23.6



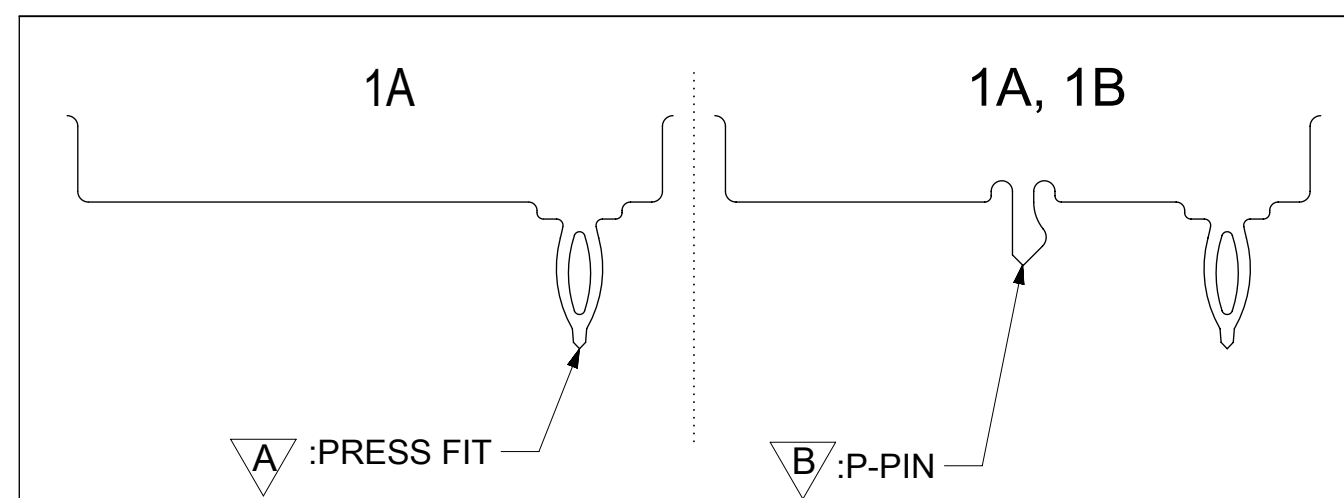
PART NO. AND WEEK/YEAR DATE CODE TO BE PRINTED ON THE SIDE OF COMPLETED CAGE ASSEMBLY APPROXIMATELY AS SHOWN FOR 11112 SERIES CAGE ASSEMBLIES.



NOTES:

- $\triangle 1$ HEIGHT OF HEATSINK WITH MODULE INSERTED. DIMENSION MAY BE LESS DUE TO MODULE AND HEATSINK VARIATIONS.

REAR LEG OPTIONS (PER PORT)

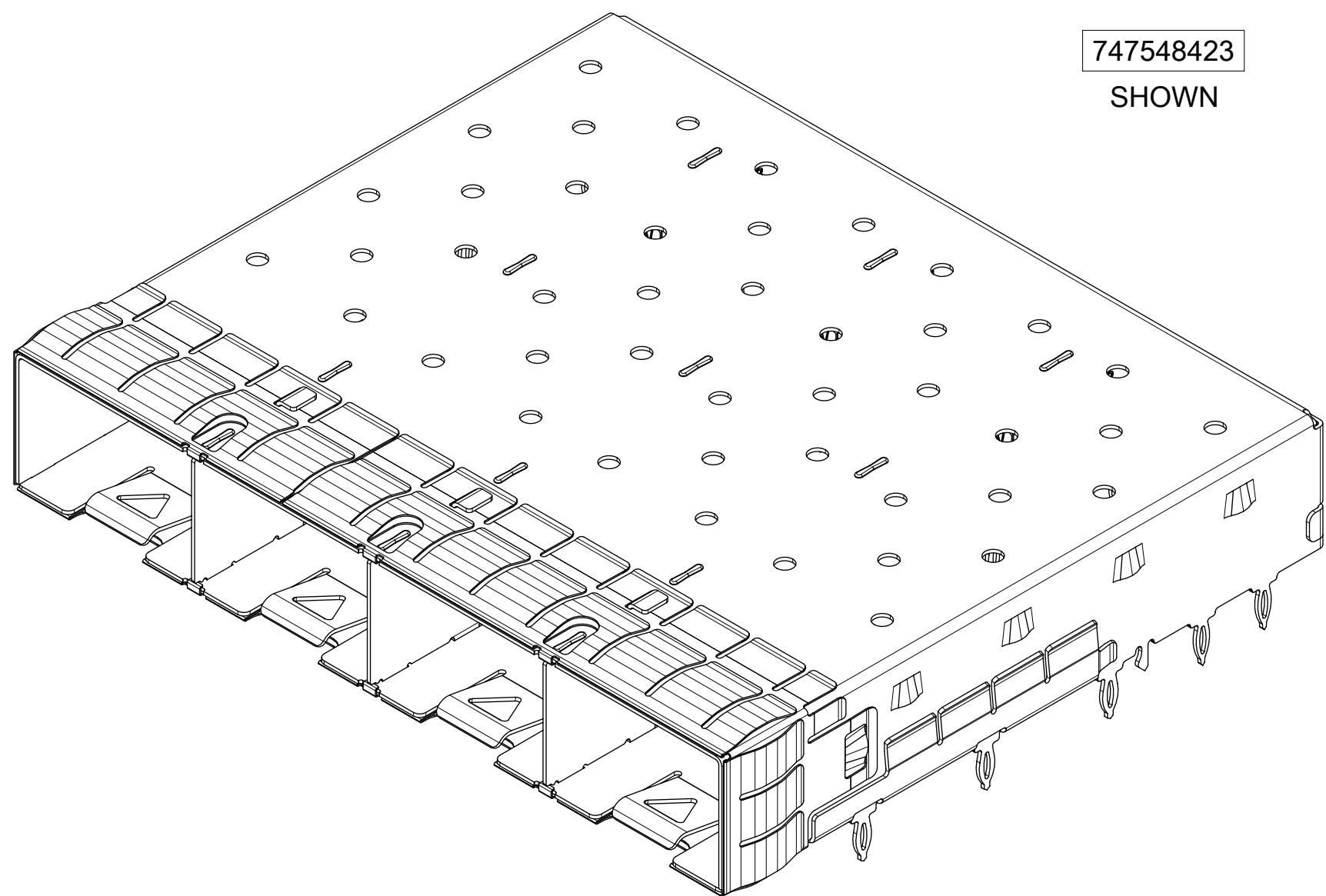


WEEK/YEAR DATE CODE TABLE	
WW	01 THRU 52 OR 53 EXAMPLE: 01 = FIRST WEEK OF YEAR 52 = LAST WEEK OF YEAR
YY	22, 23, 24, ETC. EXAMPLE: YEAR 2022 = 22

FUNCTIONAL SYMBOLS	THIS DRAWING CONTAINS INFORMATION THAT IS PROPRIETARY TO MOLEX ELECTRONIC TECHNOLOGIES, LLC AND SHOULD NOT BE USED WITHOUT WRITTEN PERMISSION		CURRENT REV DESC: SEE REVISION TABLE			
$\triangle A = 0$	DIMENSION UNITS	SCALE	<p>molex</p> <p>SFP+ 1X4 SF CAGE ASSY'S PRESS FIT, HEAT SINKS, WITH SUS EMI SPRING FINGERS</p> <p>PRODUCT CUSTOMER DRAWING</p>			
$\triangle E = 0$	mm	2:1				
$\triangle P = 0$	GENERAL TOLERANCES (UNLESS SPECIFIED)					
DIVISIONAL SYMBOLS	ANGULAR TOL	$\pm 1.0^\circ$	EC NO: 707270	2022/04/14		
	4 PLACES	\pm	DRWN: ABHILT2	2022/05/26		
	3 PLACES	\pm	CHK'D: TKUMARKC	2022/06/01		
	2 PLACES	± 0.15	APPR: SCHIEN			
	1 PLACE	± 0.25	INITIAL REVISION:			
	0 PLACES	\pm	DRWN: ABHILT2	2022/04/14		
			APPR: SCHIEN	2022/06/01		
DRAFT WHERE APPLICABLE MUST REMAIN WITHIN DIMENSIONS	THIRD ANGLE PROJECTION	DRAWING	SERIES	MATERIAL NUMBER	CUSTOMER	SHEET NUMBER
		C-SIZE	111112	SEE SHEET 3		2 OF 7

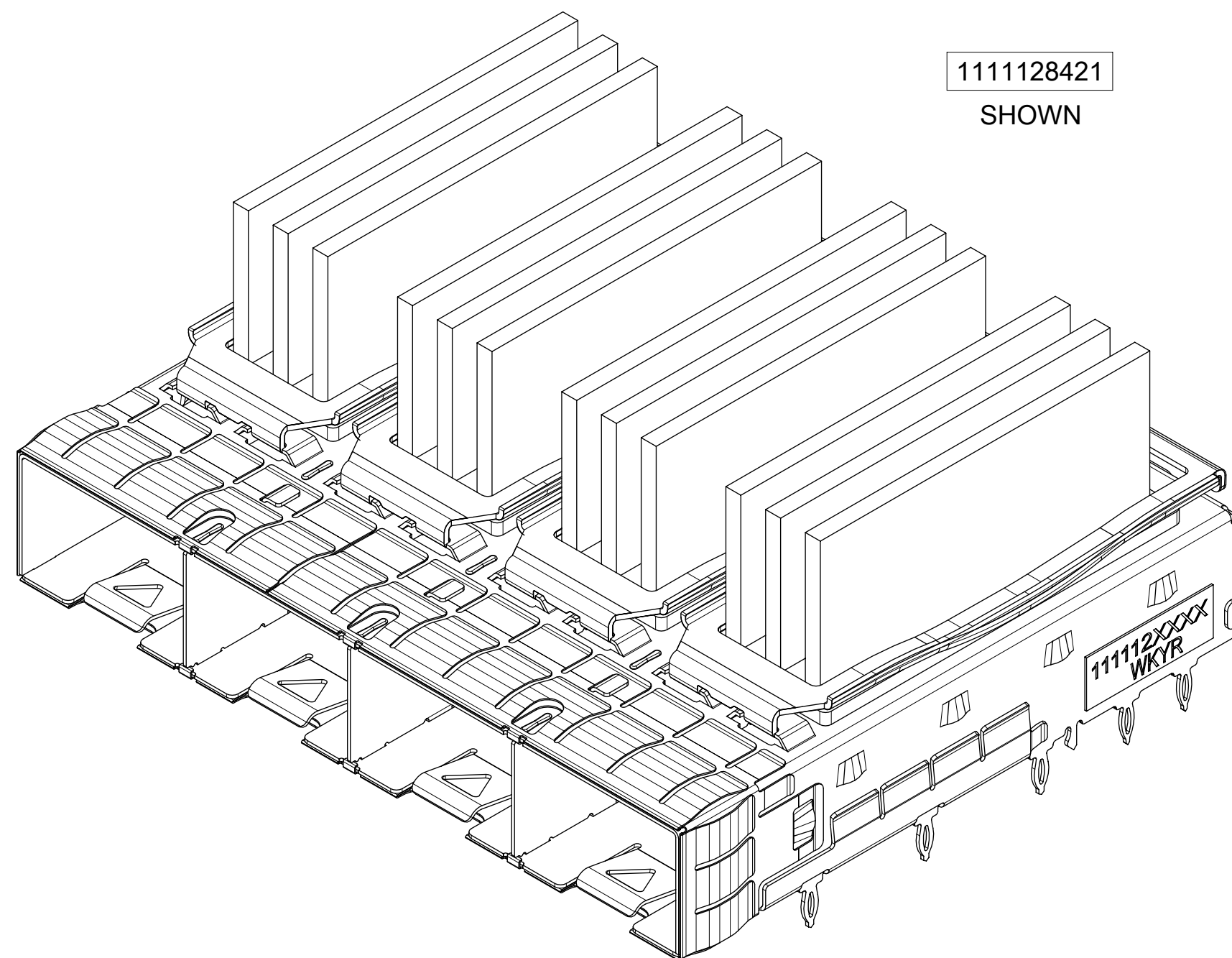
PART NUMBER SELECTION

747548423
SHOWN



SFP+ OPEN TOP BASE CAGE FOR HEATSINK				
PART NO.	POLYIMIDE INSULATOR	WELD POINT QUANTITY	# OF REAR LEGS PER PORT	PLATING
747548423	---	19	1A, 1B	----

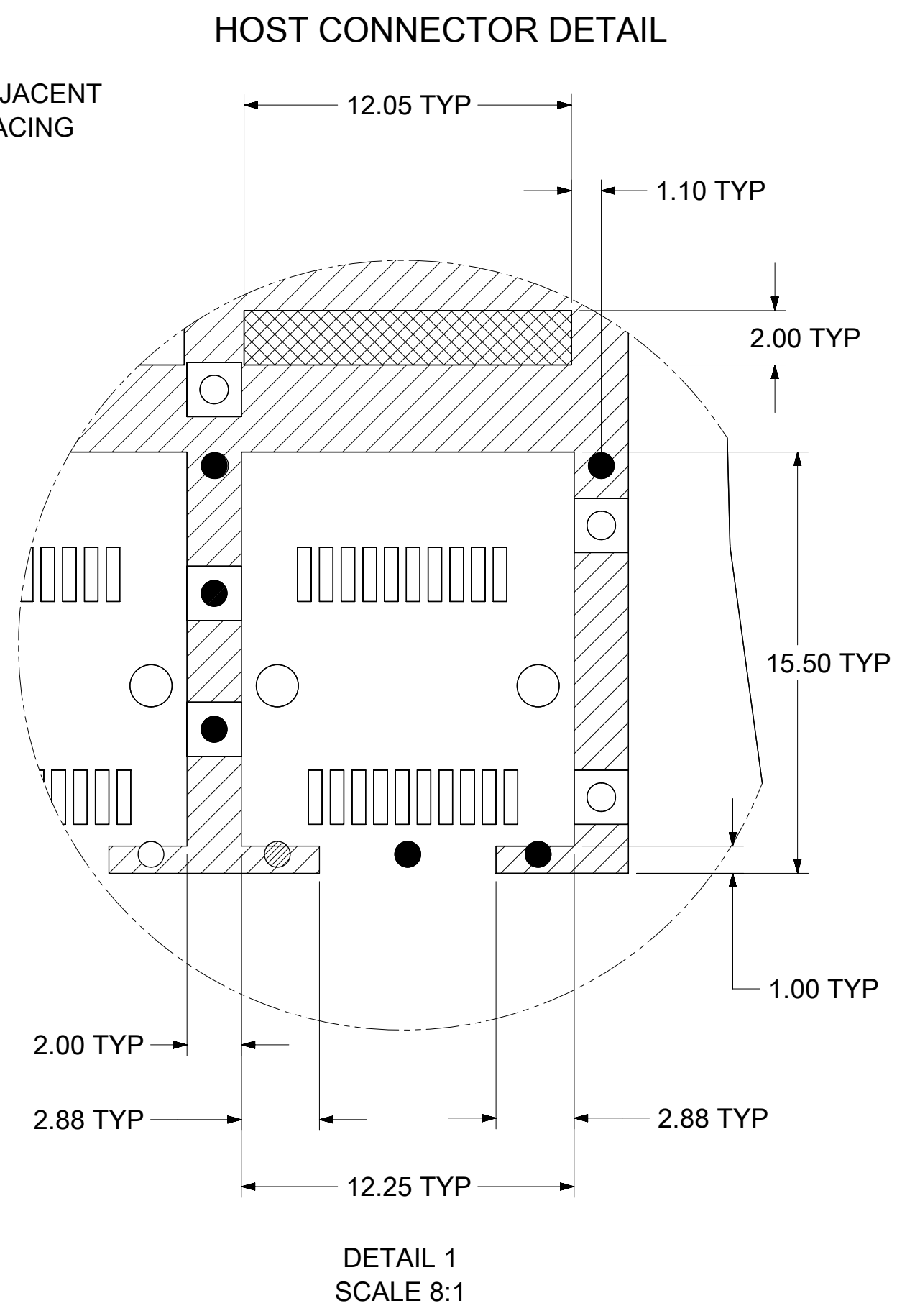
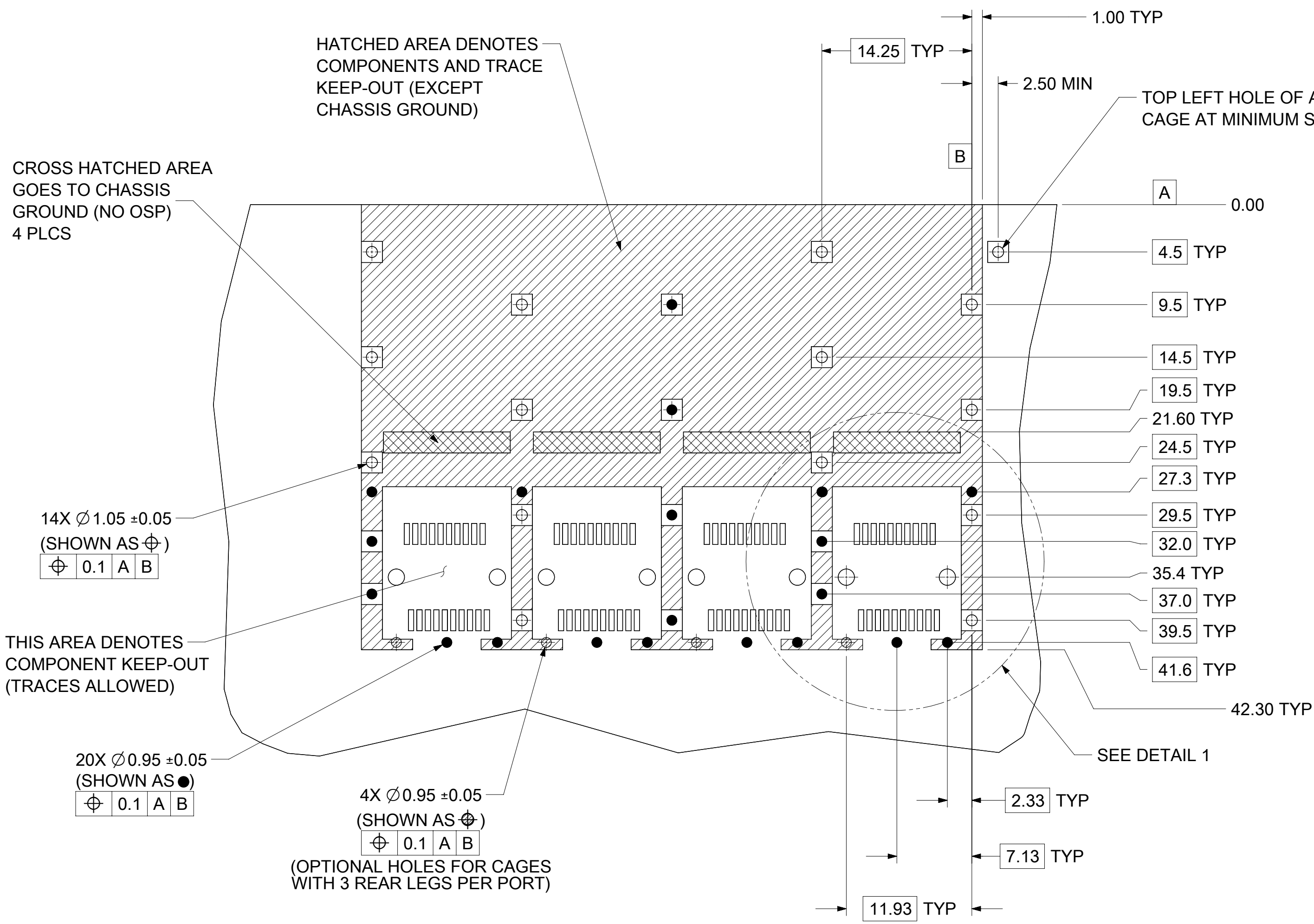
111128421
SHOWN



SFP+ CUSTOM FIN HEATSINK OPTION			
PART NO.	POLYIMIDE INSULATOR	HEAT SINK	# OF REAR LEGS PER PORT
111128421	---	CUSTOM	1A, 1B

FUNCTIONAL SYMBOLS $\nabla_A = 0$ $\nabla_C = 0$ $\nabla_P = 0$	THIS DRAWING CONTAINS INFORMATION THAT IS PROPRIETARY TO MOLEX ELECTRONIC TECHNOLOGIES, LLC AND SHOULD NOT BE USED WITHOUT WRITTEN PERMISSION		CURRENT REV DESC: SEE REVISION TABLE						
	DIMENSION UNITS: mm SCALE: 4:3	GENERAL TOLERANCES (UNLESS SPECIFIED) ANGULAR TOL $\pm 1.0^\circ$		EC NO: 707270 DRWN: ABHILT2 2022/04/14 CHK'D: TKUMARKC 2022/05/26 APPR: SCHIEN 2022/06/01		SFP+ 1X4 SF CAGE ASSY'S PRESS FIT, HEAT SINKS, WITH SUS EMI SPRING FINGERS PRODUCT CUSTOMER DRAWING			
DIVISIONAL SYMBOLS 4 PLACES \pm 3 PLACES \pm 2 PLACES ± 0.15 1 PLACE ± 0.25 0 PLACES \pm	DRAFT WHERE APPLICABLE MUST REMAIN WITHIN DIMENSIONS		THIRD ANGLE PROJECTION 		DRWING: ABHILT2 2022/04/14 APPR: SCHIEN 2022/06/01		DOCUMENT NUMBER 111128421	DOC TYPE PSD	DOC PART ASY
MATERIAL NUMBER SEE SHEET 3		CUSTOMER C-SIZE		SERIES 111112	SHEET NUMBER 3 OF 7				

PCB LAYOUT FOR SINGLE SIDE MOUNT

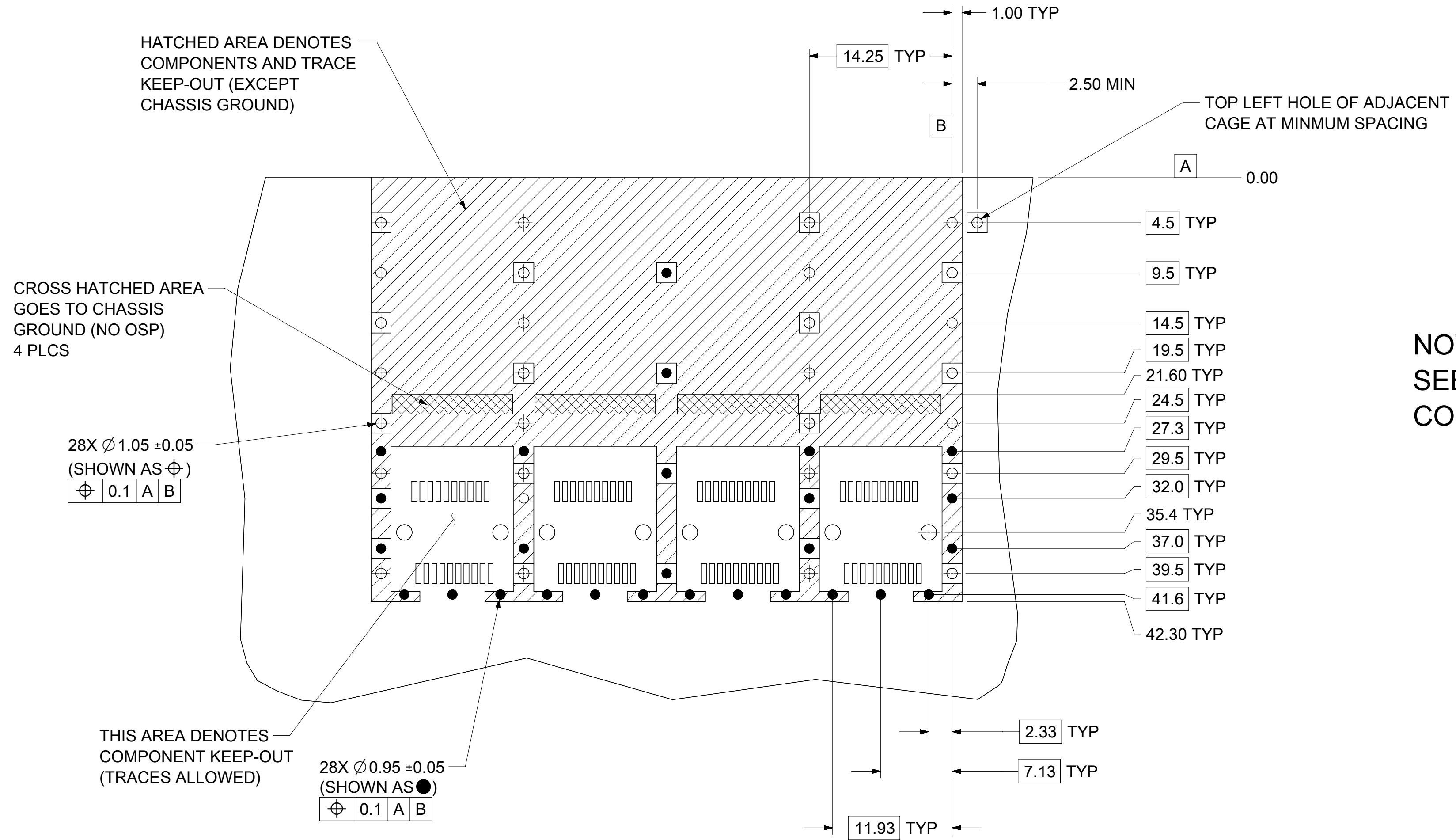


- NOTES:
- PADS AND VIAS CONNECT TO CHASSIS GROUND (RECOMMENDED PADS TO BE 2.00mm SQUARE)
 - RECOMMENDED THRU HOLE PLATING INCLUDES HASL, OSP, OR IMMERSION (GOLD, SILVER, OR TIN)
 - CONNECTOR PAD LAYOUT PER SFP+ MSA WILL ACCOMMODATE MOLEX CONNECTOR SERIES 74441 OR EQUIVALENT
 - HOLE PATTERN REPEATS FOR EACH PORT, SPACING BETWEEN PORTS IS 14.25mm
 - MINIMUM PCB THICKNESS FOR SINGLE SIDED USE 1.57mm.

FUNCTIONAL SYMBOLS		THIS DRAWING CONTAINS INFORMATION THAT IS PROPRIETARY TO MOLEX ELECTRONIC TECHNOLOGIES, LLC AND SHOULD NOT BE USED WITHOUT WRITTEN PERMISSION		CURRENT REV DESC: SEE REVISION TABLE			
$\frac{A}{A} = 0$	mm	SCALE	3:1	EC NO: 707270			
$\frac{E}{E} = 0$	GENERAL TOLERANCES (UNLESS SPECIFIED)		DRWN: ABHILT2		2022/04/14		PRODUCT CUSTOMER DRAWING
$\frac{P}{P} = 0$	ANGULAR TOL $\pm 1.0^\circ$		CHK'D: TKUMARKC		2022/05/26		
DIVISIONAL SYMBOLS		4 PLACES \pm		APPR: SCHIEN		2022/06/01	
		3 PLACES \pm		INITIAL REVISION:		DOCUMENT NUMBER	
		2 PLACES ± 0.15		DRWN: ABHILT2		1111128421	
		1 PLACE ± 0.25		APPR: SCHIEN		PSD ASY A	
		0 PLACES \pm		2022/06/01		SHEET NUMBER	
DRAFT WHERE APPLICABLE MUST REMAIN WITHIN DIMENSIONS		THIRD ANGLE PROJECTION		DRAWING		MATERIAL NUMBER	
				C-SIZE		SEE SHEET 3	
				SERIES		CUSTOMER	
				111112		4 OF 7	

DOCUMENT STATUS	P1	RELEASE DATE	2022/06/01 06:40:57
-----------------	----	--------------	---------------------

PCB LAYOUT FOR BELLY TO BELLY MOUNTING

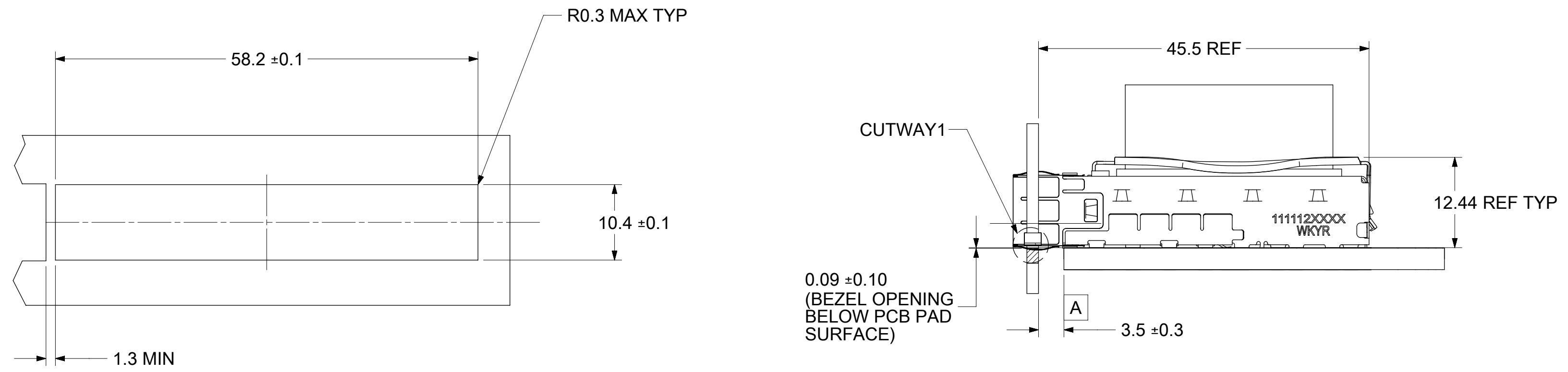


NOTE:
SEE SHEET 4 FOR HOST
CONNECTOR DETAIL

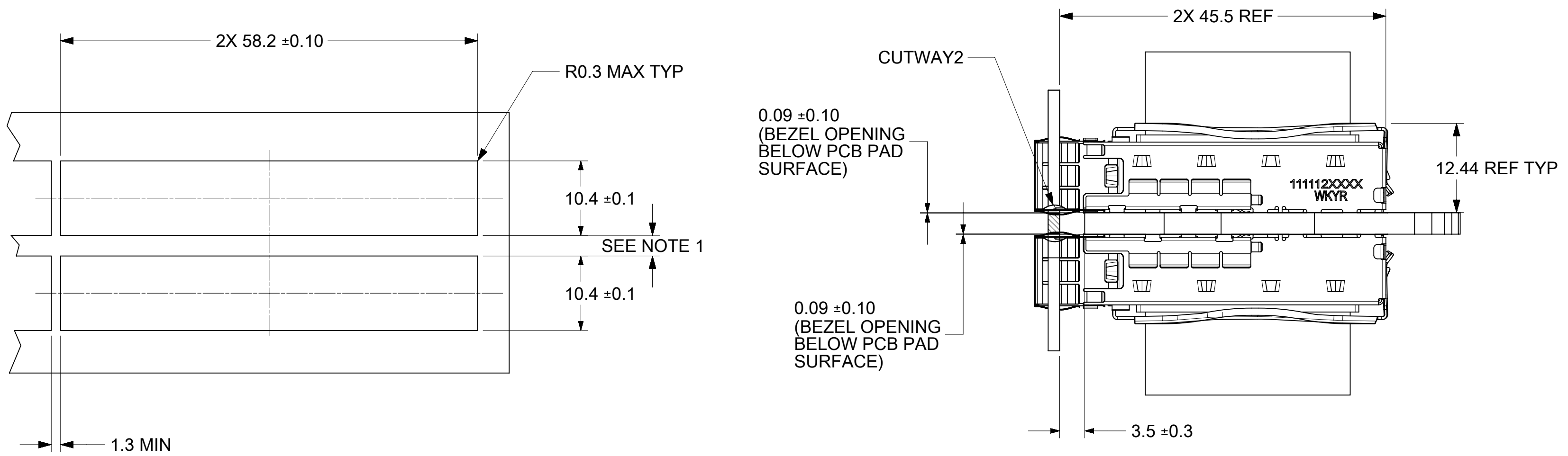
- NOTES:**
1. PADS AND VIAS CONNECT TO CHASSIS GROUND (RECOMMENDED PADS TO BE 2.00mm SQUARE)
 2. RECOMMENDED THRU HOLE PLATING INCLUDES HASL, OSP, OR IMMERSION (GOLD, SILVER, OR TIN)
 3. CONNECTOR PAD LAYOUT PER SFP+ MSA WILL ACCOMMODATE MOLEX CONNECTOR SERIES 74441 OR EQUIVALENT
 4. HOLE PATTERN REPEATS FOR EACH PORT, SPACING BETWEEN PORTS IS 14.25mm
 5. MINIMUM PCB THICKNESS FOR BELLY TO BELLY USE 3.00mm.

FUNCTIONAL SYMBOLS	THIS DRAWING CONTAINS INFORMATION THAT IS PROPRIETARY TO MOLEX ELECTRONIC TECHNOLOGIES, LLC AND SHOULD NOT BE USED WITHOUT WRITTEN PERMISSION		CURRENT REV DESC: SEE REVISION TABLE	
	DIMENSION UNITS	SCALE		
$\frac{F}{A} = 0$	mm	3:1		
$\frac{F}{C} = 0$	GENERAL TOLERANCES (UNLESS SPECIFIED)			
	ANGULAR TOL $\pm 1.0^\circ$			
DIVISIONAL SYMBOLS	4 PLACES	\pm	EC NO: 707270	
	3 PLACES	\pm	DRWN: ABHILT2	2022/04/14
	2 PLACES	± 0.15	CHK'D: TKUMARKC	2022/05/26
	1 PLACE	± 0.25	APPR: SCHIEN	2022/06/01
0 PLACES	\pm	INITIAL REVISION:		
DRAFT WHERE APPLICABLE MUST REMAIN WITHIN DIMENSIONS		THIRD ANGLE PROJECTION	DRAWING	SERIES
			C-SIZE	111112
DOCUMENT STATUS		P1	RELEASE DATE	2022/06/01 06:40:57
DOCUMENT NUMBER		CUSTOMER		SHEET NUMBER
111128421		SEE SHEET 3		5 OF 7
DOC TYPE		DOC PART	REVISION	
PSD		ASY	A	

BEZEL AND BOARD POSITION DIMENSIONS FOR SINGLE SIDE MOUNTING (SPRING FINGER)



BEZEL AND BOARD POSITION DIMENSIONS FOR BELLY TO BELLY MOUNTING (SPRING FINGER)



NOTE:
 1. PCB THICKNESS VARIATION MUST BE CONSIDERED WHEN DETERMINING BEZEL OPENING LOCATION.
 2. CAGE LEG STANDOFF WILL PIERCE BELLY GASKET WHEN PROPERLY PRESSED INTO PCB.

FUNCTIONAL SYMBOLS	THIS DRAWING CONTAINS INFORMATION THAT IS PROPRIETARY TO MOLEX ELECTRONIC TECHNOLOGIES, LLC AND SHOULD NOT BE USED WITHOUT WRITTEN PERMISSION		
	DIMENSION UNITS	SCALE	CURRENT REV DESC: SEE REVISION TABLE
$\frac{E}{A} = 0$	mm	2:1	
$\frac{E}{C} = 0$	GENERAL TOLERANCES (UNLESS SPECIFIED)		
$\frac{E}{P} = 0$	ANGULAR TOL $\pm 1.0^\circ$		
DIVISIONAL SYMBOLS	4 PLACES	\pm	EC NO: 707270
	3 PLACES	\pm	DRWN: ABHILT2 2022/04/14
	2 PLACES	± 0.15	CHK'D: TKUMARKC 2022/05/26
	1 PLACE	± 0.25	APPR: SCHIEN 2022/06/01
0 PLACES	\pm	INITIAL REVISION:	DOCUMENT NUMBER
		DRWN: ABHILT2 2022/04/14	1111128421
		APPR: SCHIEN 2022/06/01	PSD ASY A
DRAFT WHERE APPLICABLE MUST REMAIN WITHIN DIMENSIONS	THIRD ANGLE PROJECTION	DRAWING	SERIES
		C-SIZE	111112
		MATERIAL NUMBER	CUSTOMER
		SEE SHEET 3	
		SHEET NUMBER	
		6 OF 7	

H

G

F

E

D

C

B

A

REV	DATE	DESCRIPTION
A	202/05/25	INITIAL RELEASE

FUNCTIONAL SYMBOLS FA = 0 FC = 0 FP = 0 DIVISIONAL SYMBOLS 3 PLACES ± 2 PLACES ± 0.15 1 PLACE ± 0.25 0 PLACES ± DRAFT WHERE APPLICABLE MUST REMAIN WITHIN DIMENSIONS	THIS DRAWING CONTAINS INFORMATION THAT IS PROPRIETARY TO MOLEX ELECTRONIC TECHNOLOGIES, LLC AND SHOULD NOT BE USED WITHOUT WRITTEN PERMISSION			CURRENT REV DESC: SEE REVISION TABLE						
	DIMENSION UNITS: mm SCALE: 1:1	GENERAL TOLERANCES (UNLESS SPECIFIED) ANGULAR TOL ± 1.0°			EC NO: 707270 DRWN: ABHILT2 2022/04/14 CHK'D: TKUMARKC 2022/05/26 APPR: SCHIEN 2022/06/01					SFP+ 1X4 SF CAGE ASSY'S PRESS FIT, HEAT SINKS, WITH SUS EMI SPRING FINGERS
	INITIAL REVISION: DRWN: ABHILT2 2022/04/14 APPR: SCHIEN 2022/06/01			PRODUCT CUSTOMER DRAWING			DOCUMENT NUMBER: 111128421 DOC TYPE: PSD DOC PART: ASY REVISION: A			
	THIRD ANGLE PROJECTION 			DRAWING: C-SIZE	SERIES: 111112	MATERIAL NUMBER: SEE SHEET 3	CUSTOMER:	SHEET NUMBER: 7 OF 7		