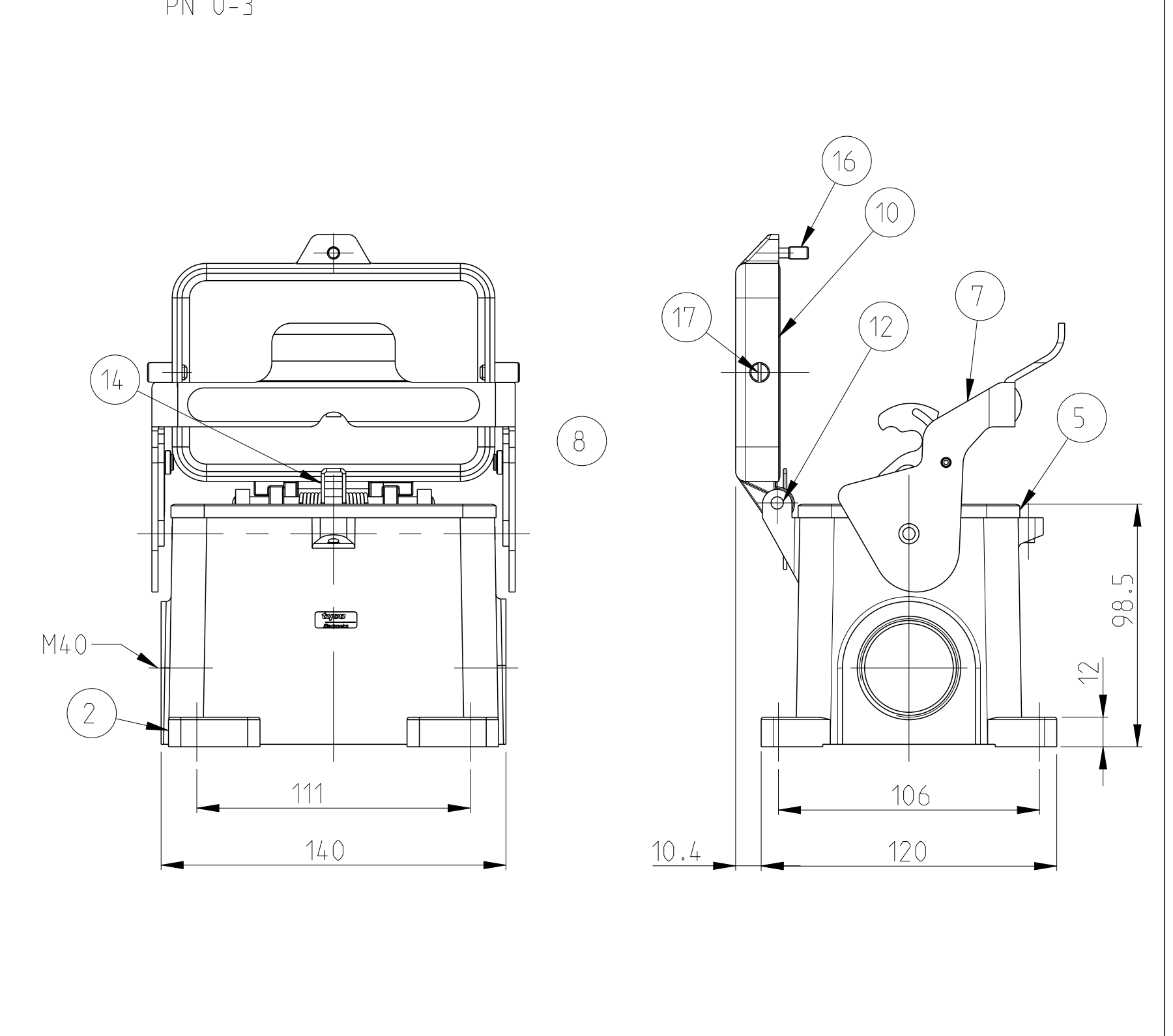
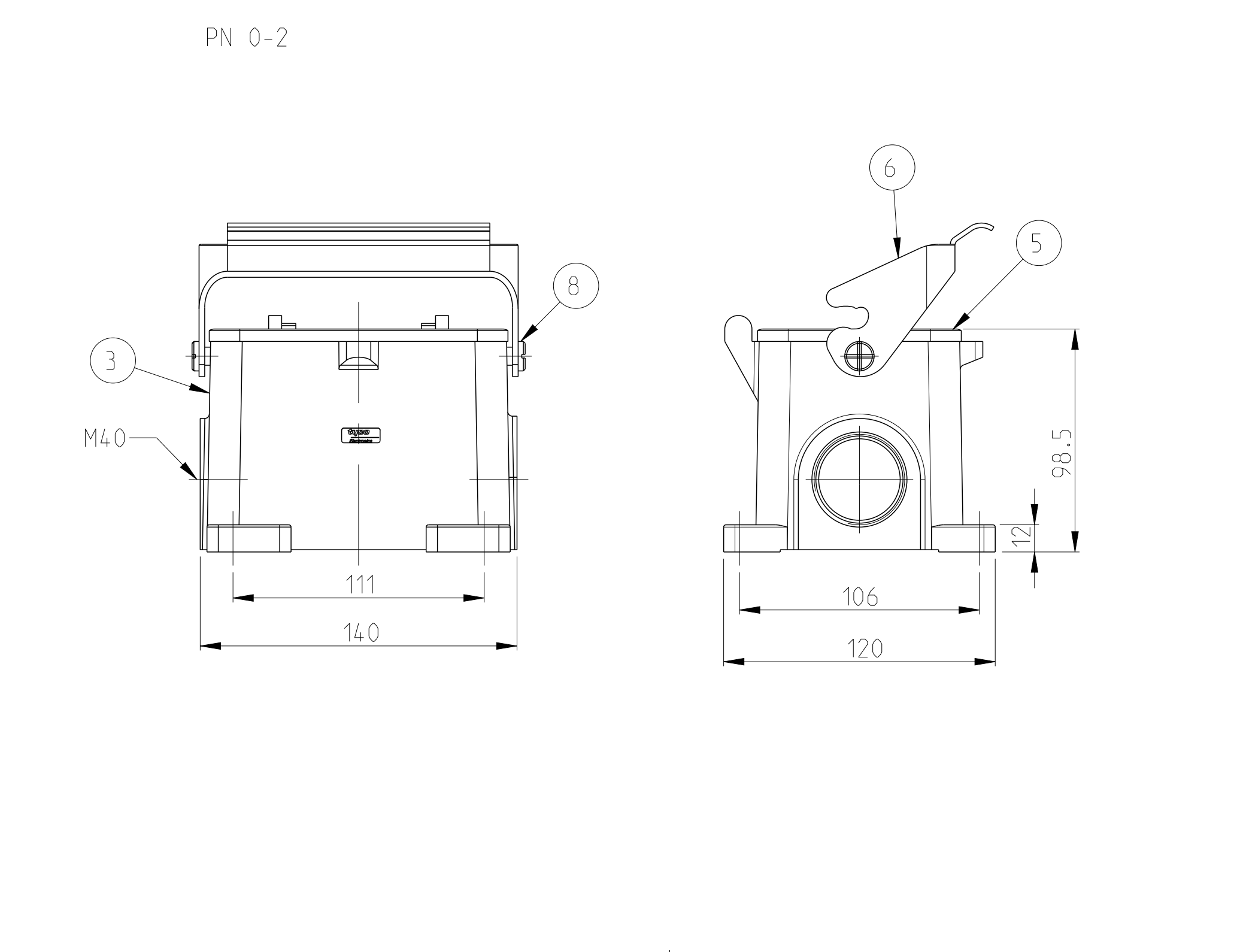
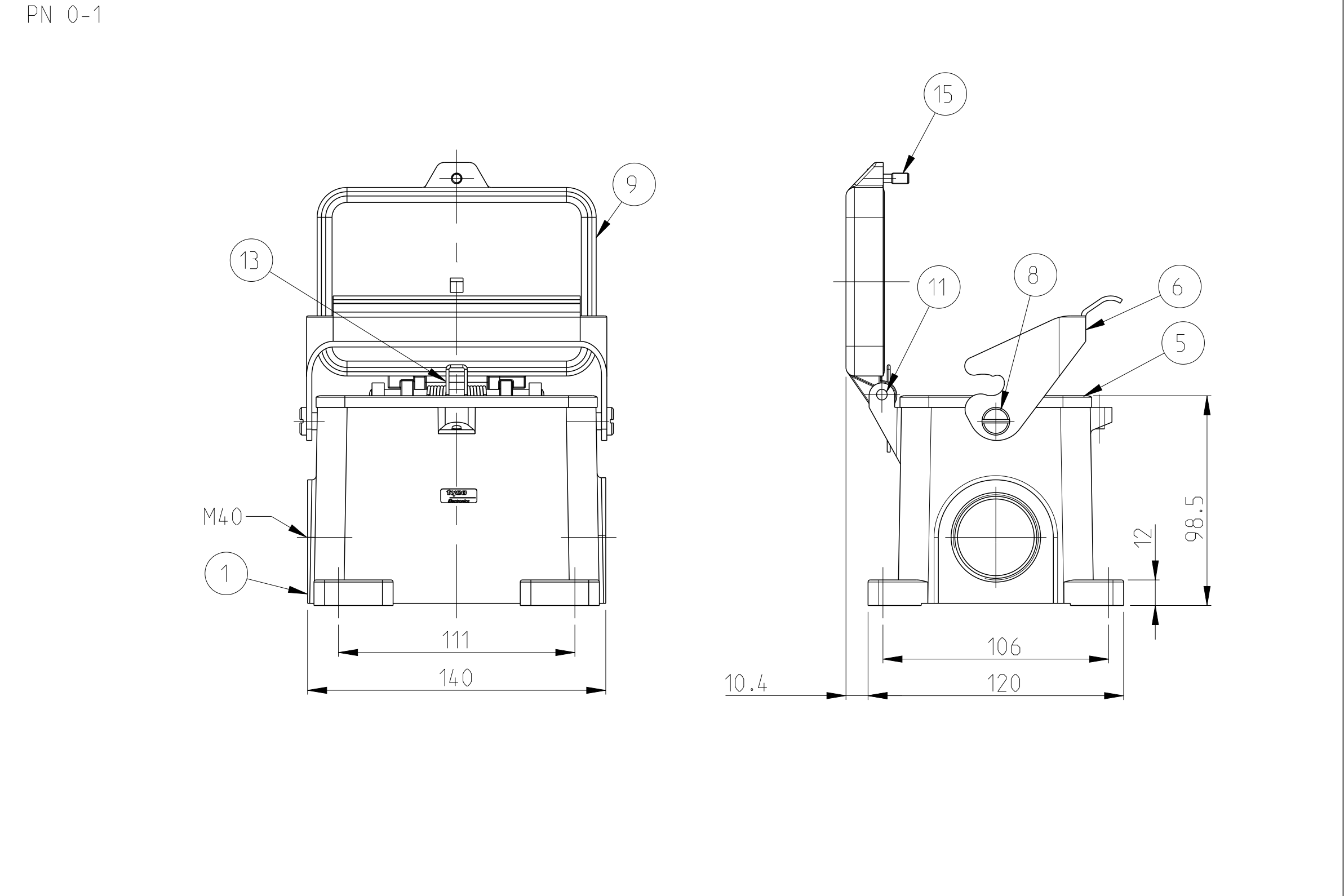
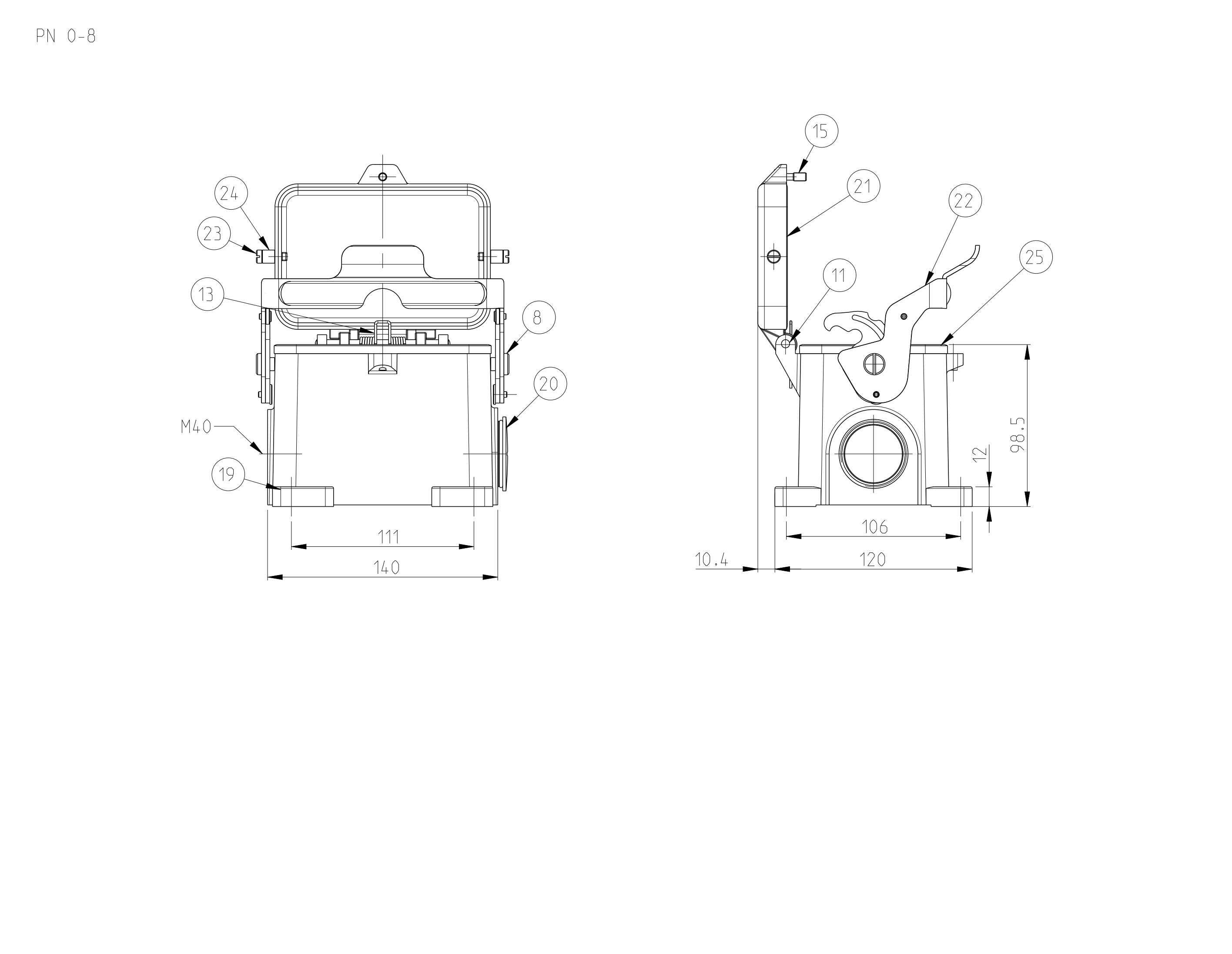
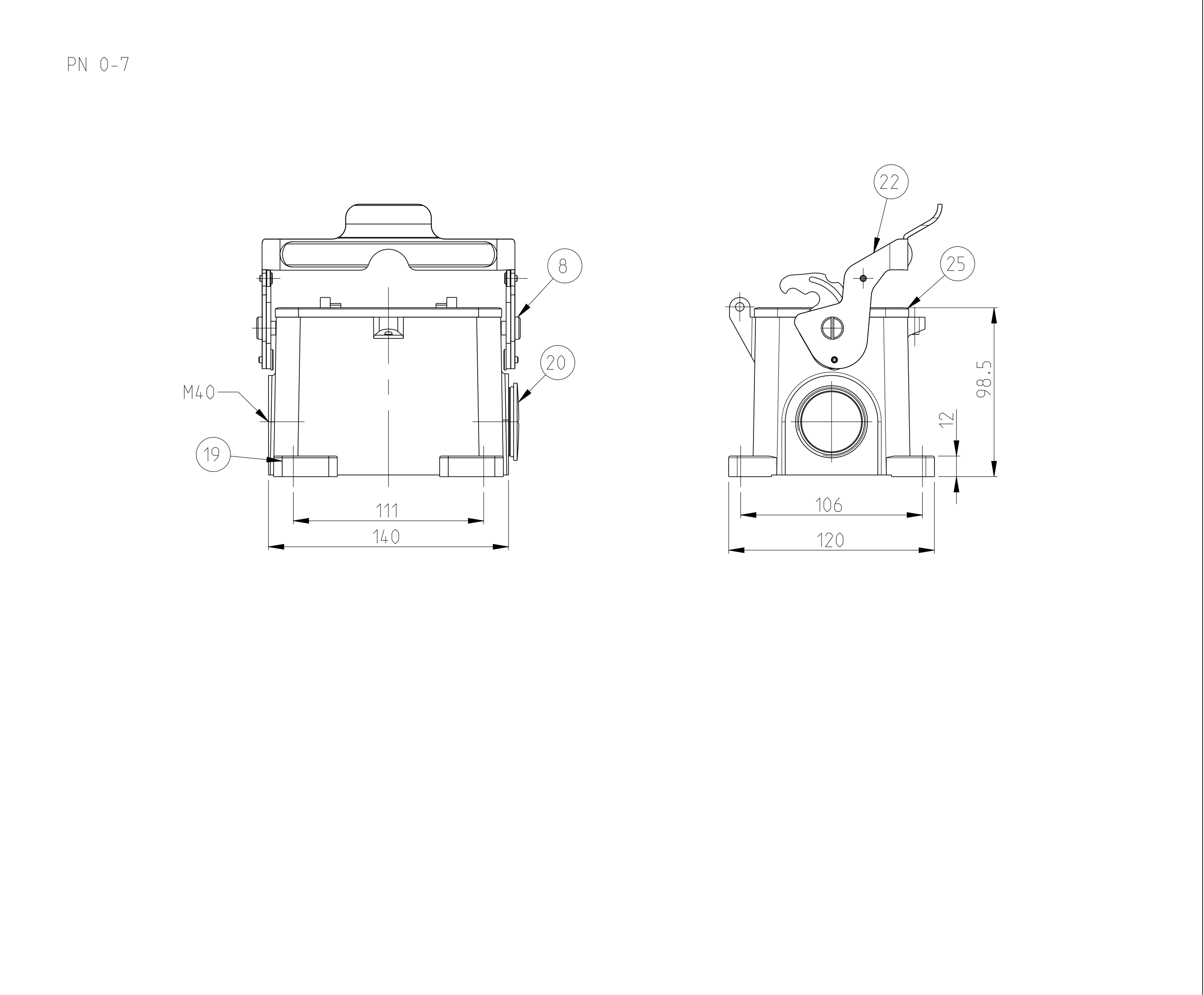
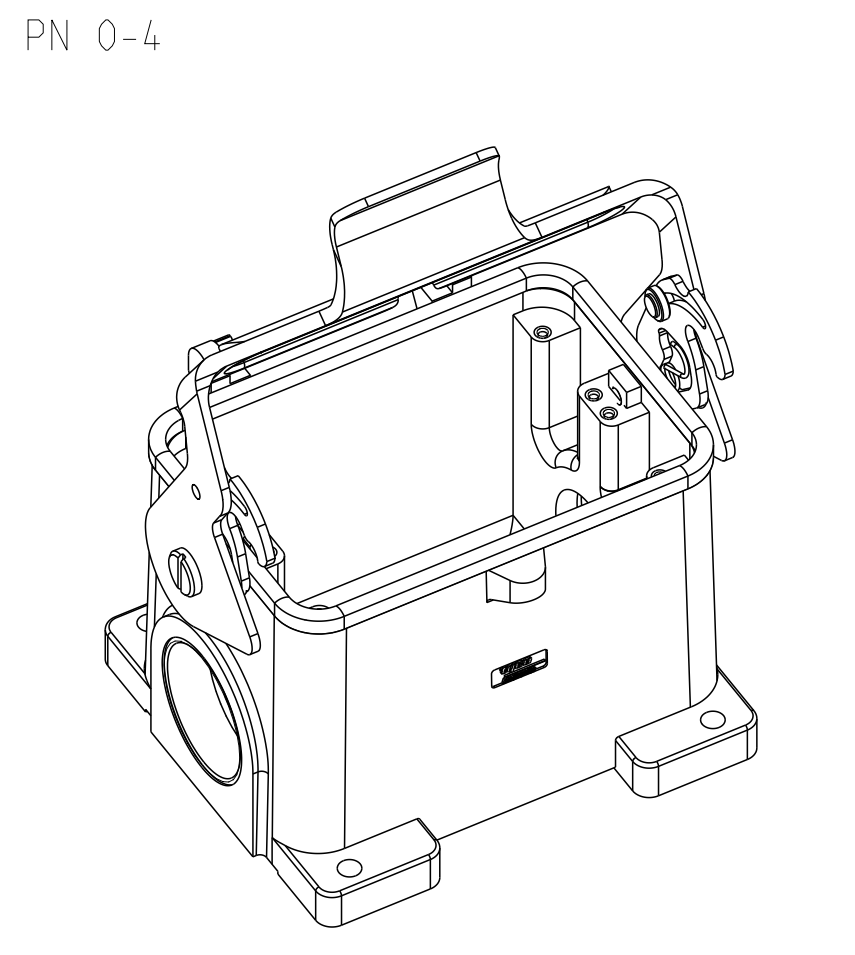
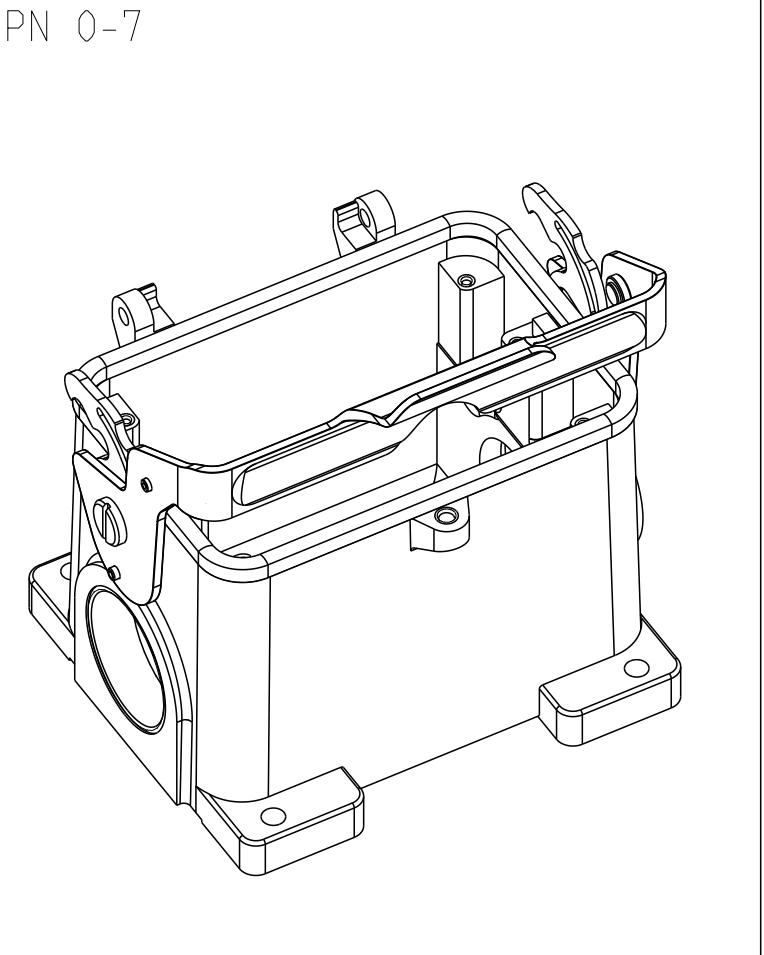
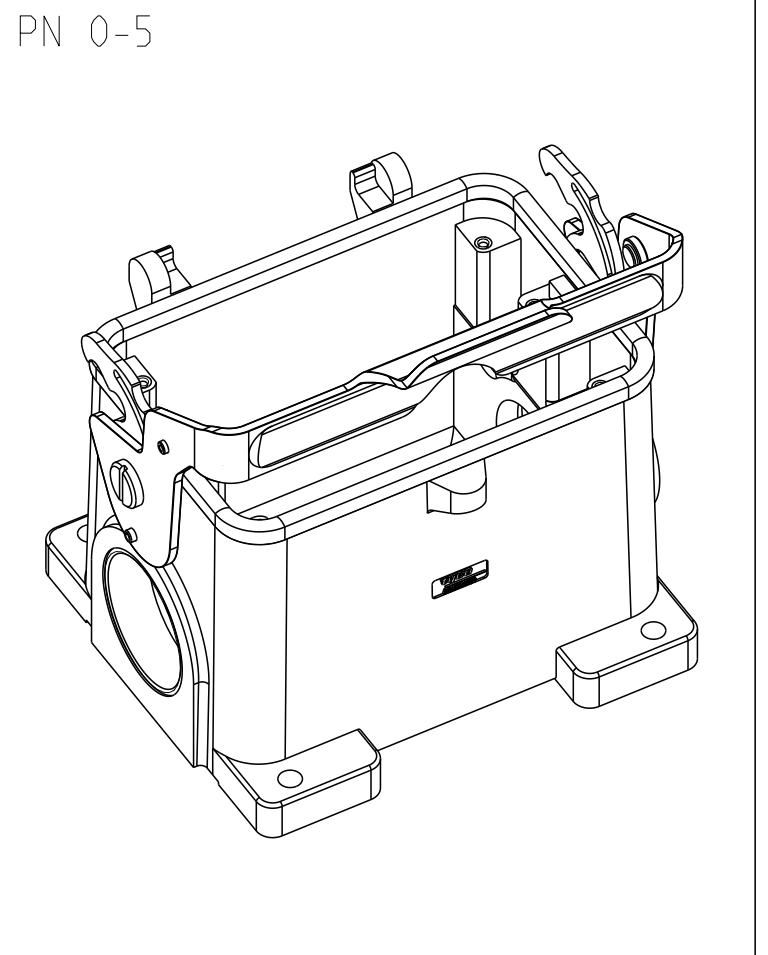
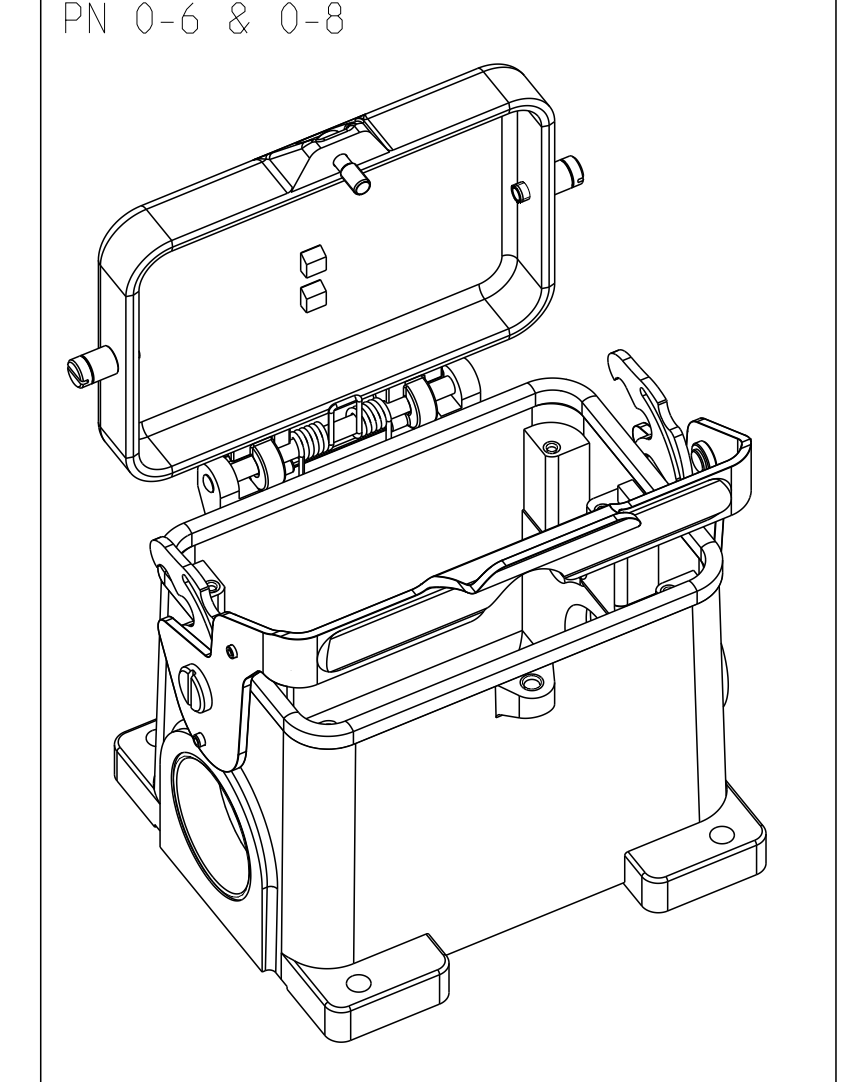
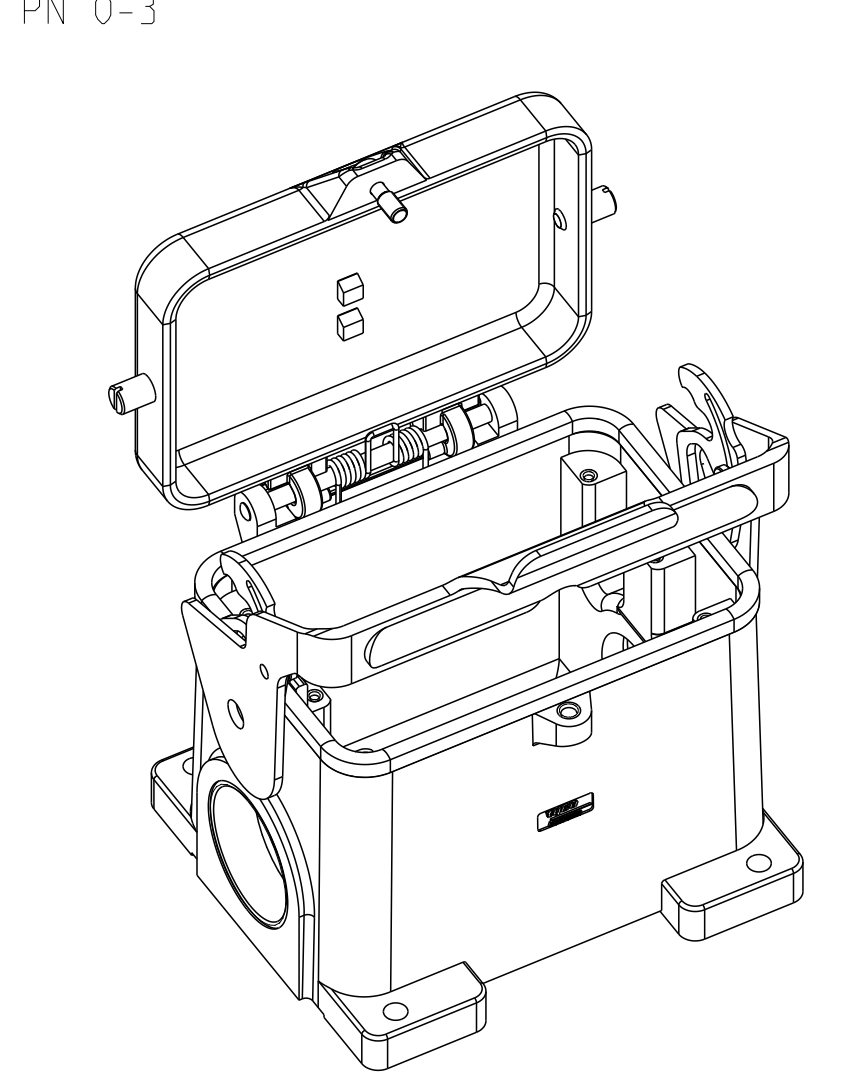
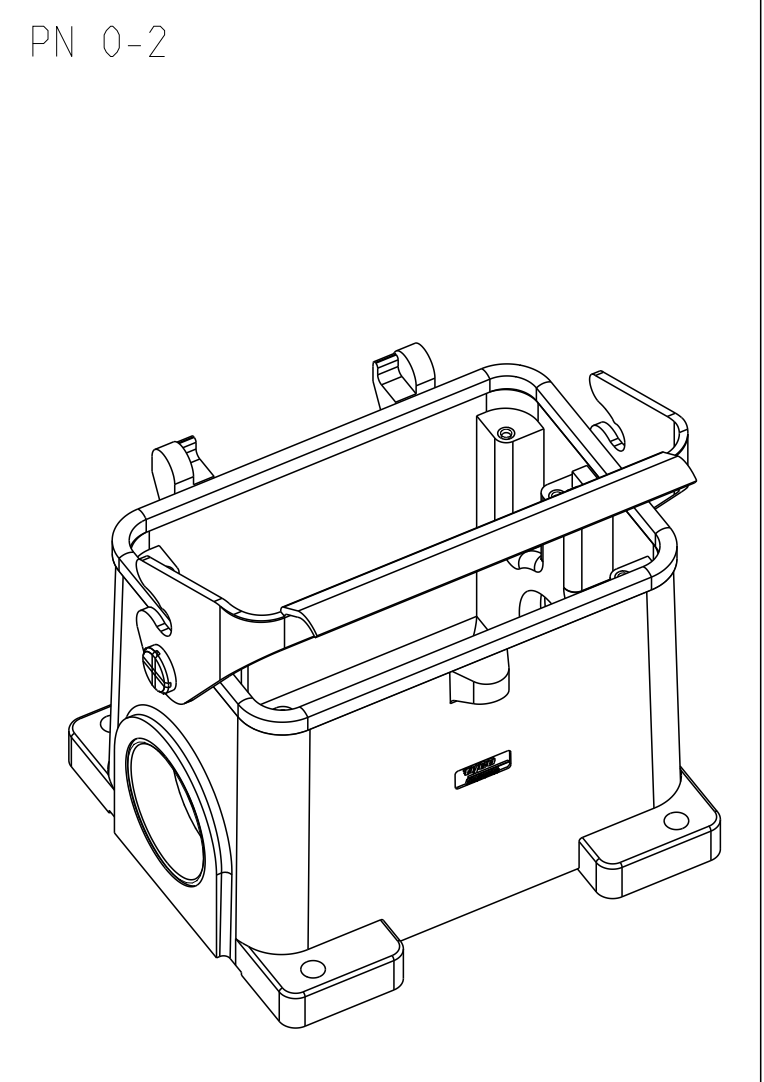
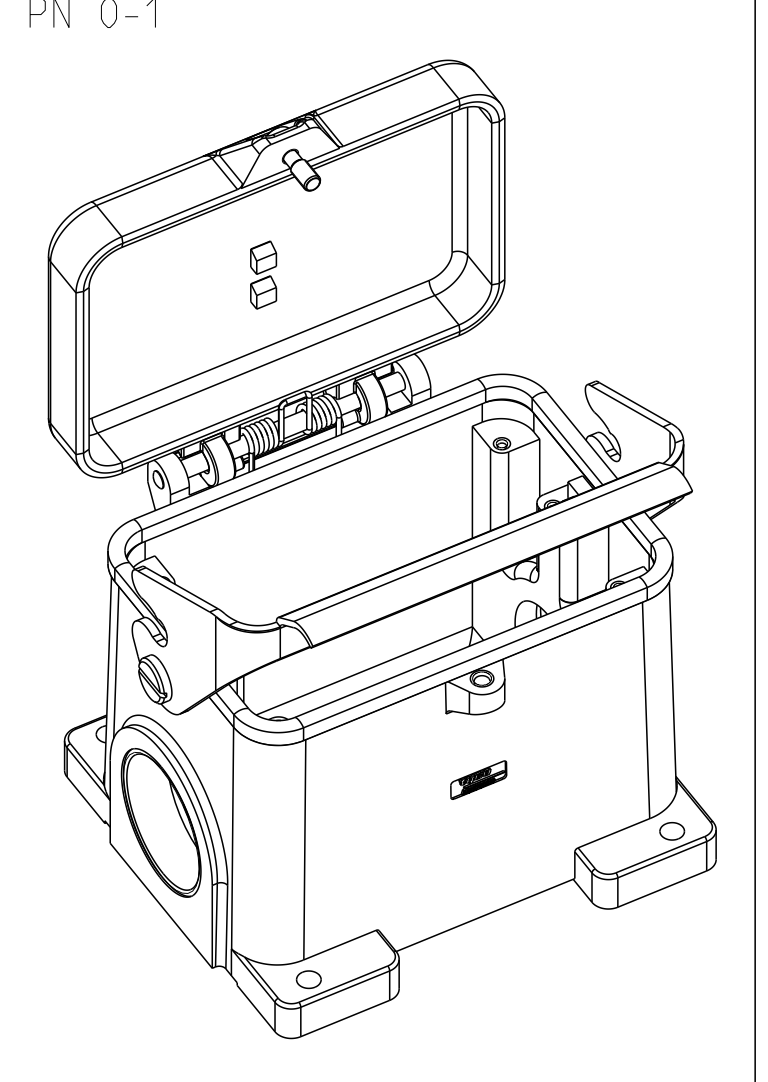
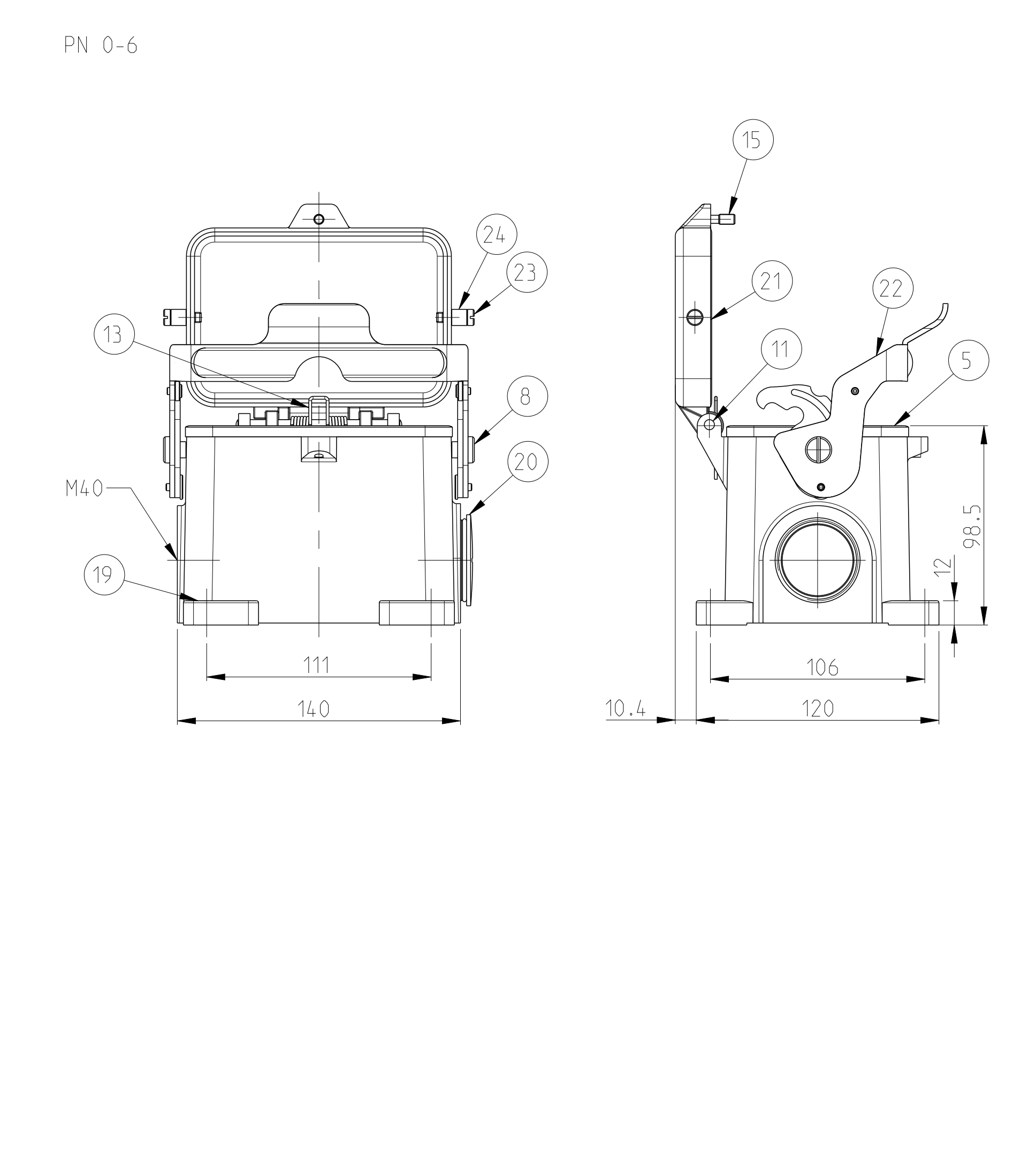
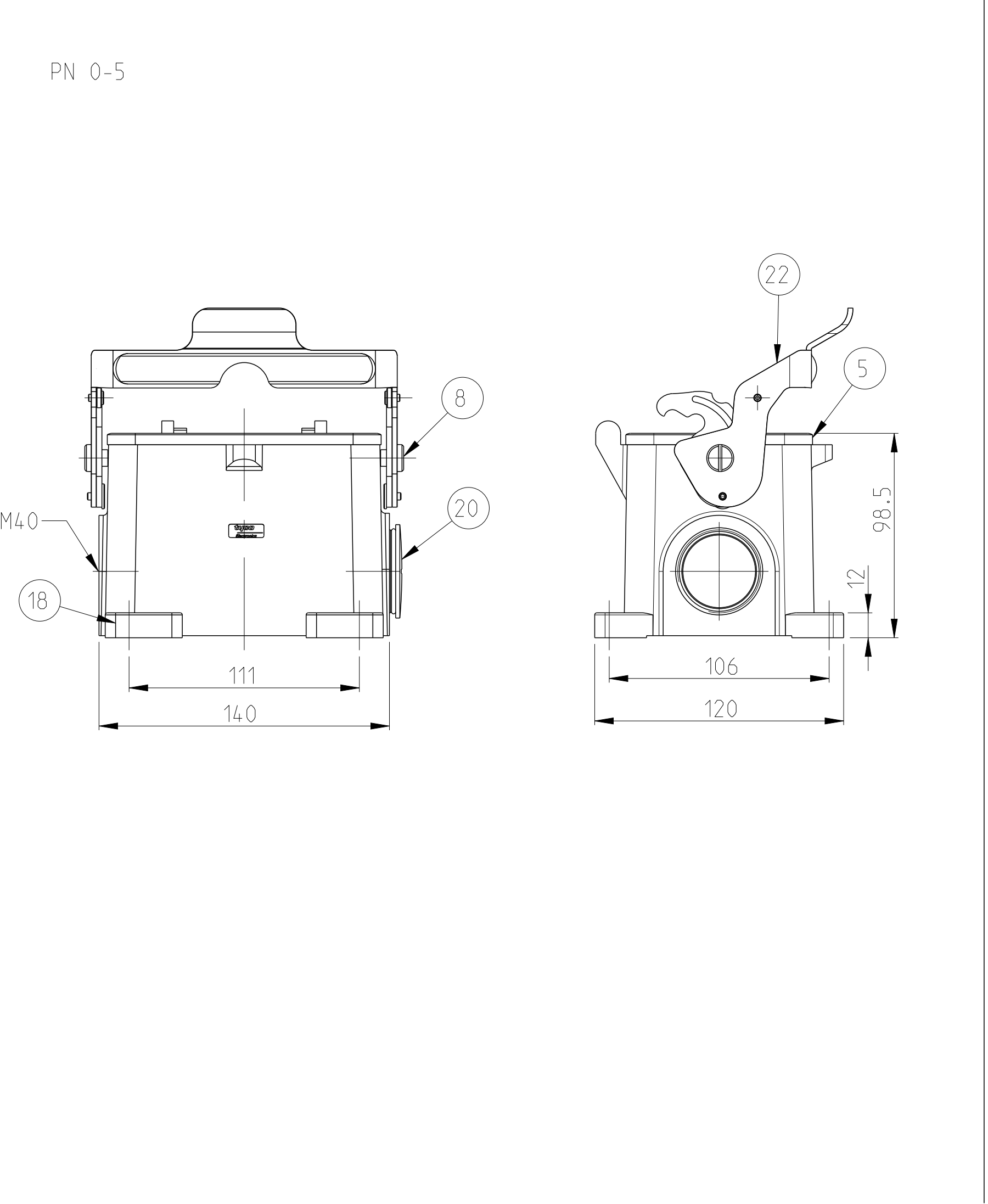
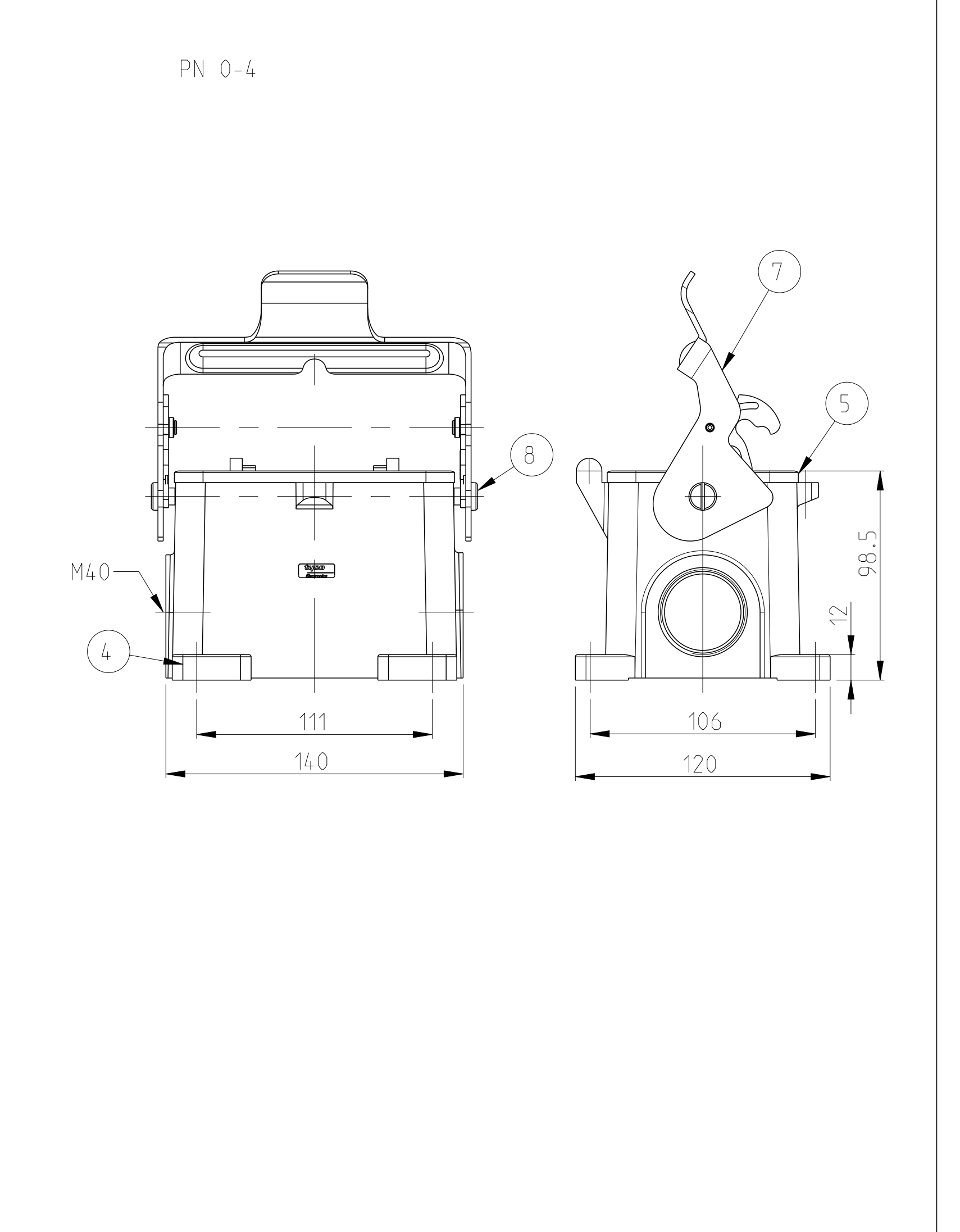


REVOLUTIONS		DATE	BY	APPD
A1	REVISED PER ECR-17-014013	14FEB2018	SRG	MKO



- NOTES
- PARTS SHALL BE BLANK, SMOOTH, FREE OF BURS AND ALL OTHER FOREIGN MATERIAL. NO CAST-UNEVENNESS ALLOWED
  - PACKING: 2 PIECES MAX. IN A BOX
  - VARNISHING INSIDE HOUSING NOT REQUIRED



QTY	DESCRIPTION	MATERIAL	SURFACE	COLOR	ITEM	NOTES
25	PROFILE SEAL	VITON			25	
24	SLIDE SPOOL HB.48	STAINLESS STEEL	BLANK		24	
23 M5	CLIP BOLT	STAINLESS STEEL	BLANK		23	
22	SIDE CLIP - STÄUBLI	STAINLESS STEEL	BLANK		22	
21	COVER	ALUMINIUM		GREY	21	
20 M4.0	BLANKING PIECE WITH SEAL	STEEL		BLUE	20	
19 NEUTRAL	SURFACE MOUNTED HOUSING SIDE ENTRY	ALUMINIUM		GREY	19	
18 NEUTRAL	SURFACE MOUNTED HOUSING SIDE ENTRY	ALUMINIUM		GREY	18	
17	CLIP BOLT	STAINLESS STEEL	BLANK		17	
16 M5x16	CYLINDER SCREW	STAINLESS STEEL	BLANK		16	
15 M5x16	CYLINDER SCREW	STEEL	ZINC PLATED	BLUE	15	
14	LEG SPRING	STAINLESS STEEL	BLANK		14	
13	LEG SPRING	STEEL	ZINC PLATED	BLUE	13	
12 Ø5x80	RIVET PIN	STAINLESS STEEL	BLANK		12	
11 Ø5x80	RIVET PIN	STEEL	ZINC PLATED	BLUE	11	
10	COVER	ALUMINIUM	ALUMINIUMOXIDE	BLACK	10	
9	COVER	ALUMINIUM		GREY	9	
8 M6x8	SLOTTED PAN HEAD SCREW	STAINLESS STEEL	BLANK		8	
7	SIDE CLIP	STAINLESS STEEL	BLANK		7	
6	SIDE CLIP	STEEL	ZINC PLATED	BLUE	6	
5	PROFILE SEAL	NEOPRENE		BLACK	5	
4	SURFACE MOUNTED HOUSING SIDE ENTRY	ALUMINIUM	ALUMINIUMOXIDE	BLACK	4	
3	SURFACE MOUNTED HOUSING SIDE ENTRY	ALUMINIUM		GREY	3	
2	SURFACE MOUNTED HOUSING SIDE ENTRY	ALUMINIUM	ALUMINIUMOXIDE	BLACK	2	
1	SURFACE MOUNTED HOUSING SIDE ENTRY	ALUMINIUM		GREY	1	

THIS DRAWING IS A CONTROLLED DOCUMENT. DATE: 26 JAN 2009. CHN: T. SCHALBREITL. APPROVED: T. SCHALBREITL. PRODUCT SPEC: SURFACE MOUNTED HOUSING SIDE ENTRY. APPLICATION SPEC: HB.48.SGD-LB.2.M4.0.Z+BS. MATERIAL: AL. FINISH: 5. WEIGHT: -. CUSTOMER DRAWING: A0. SCALE: 1:2. SHEET: 1 OF 1. REV: BB.