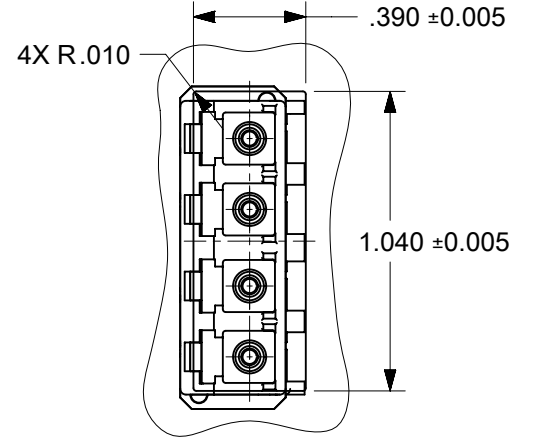
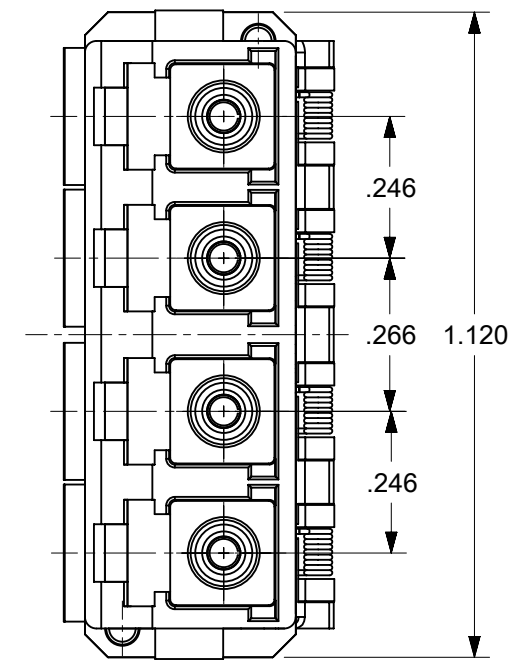
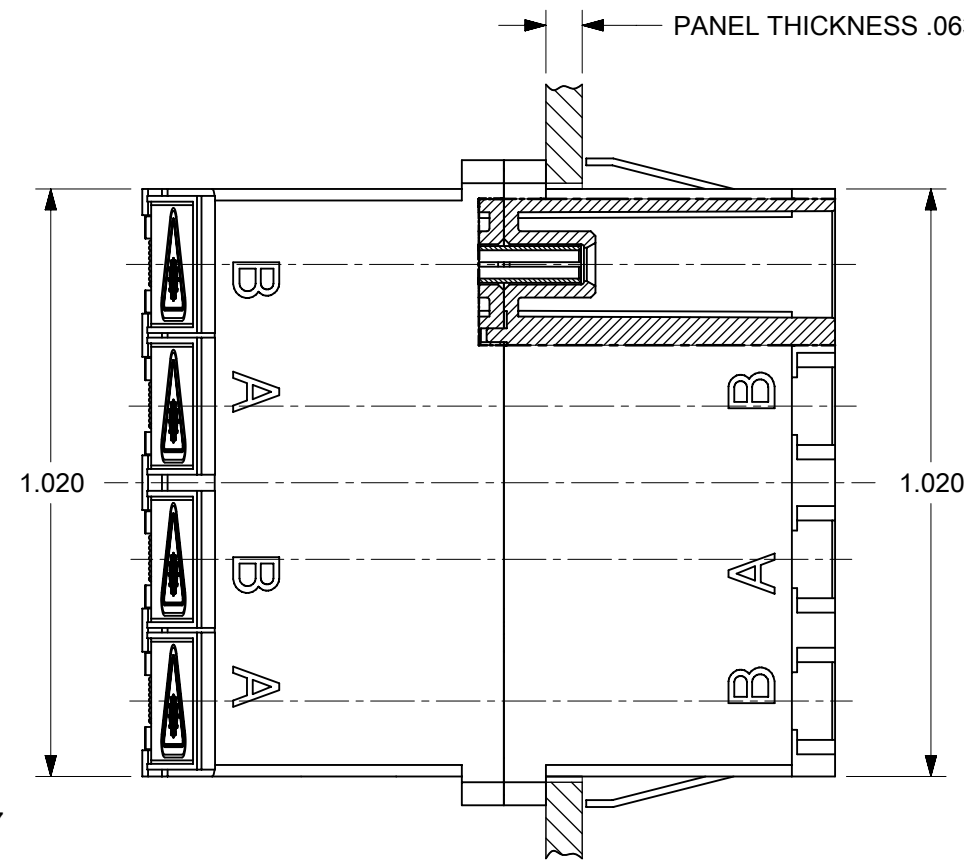
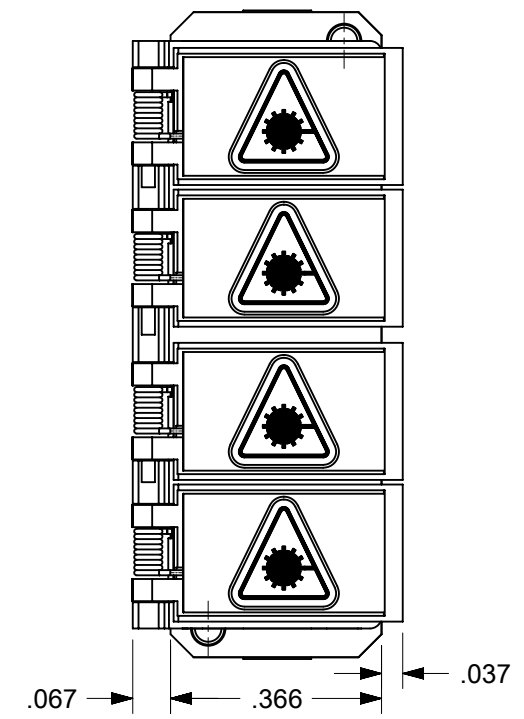
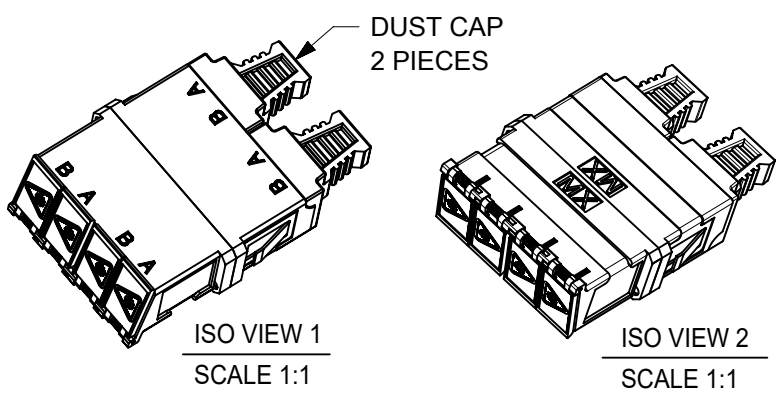
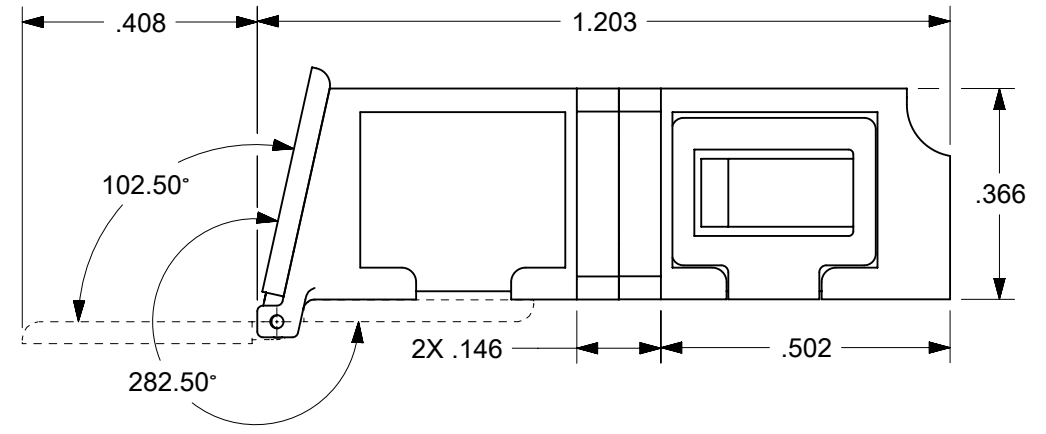


LC QUAD ADAPTER P/N	LC QUAD ADAPTER COLOR	SPLIT SLEEVE MATERIAL
106123-0400	BLUE	ZR
106123-1400	BEIGE	ZR
106126-2400	GREEN	ZR
106123-3400	AQUA	ZR



RECOMMENDED MOUNTING PATTERN
SCALE 1.5:1



- NOTES:
1. ALL DIMENSIONS ARE FOR REFERENCE
 2. DUST CAPS NOT SHOWN ON FRONT, BOTTOM AND RIGHT VIEW.
 3. LC QUAD ADAPTER HAS SC DUPLEX ADAPTER FOOTPRINT.

FUNCTIONAL SYMBOLS $\nabla_A = 0$ $\nabla_B = 0$ $\nabla_C = 0$	THIS DRAWING CONTAINS INFORMATION THAT IS PROPRIETARY TO MOLEX ELECTRONIC TECHNOLOGIES, LLC AND SHOULD NOT BE USED WITHOUT WRITTEN PERMISSION	CURRENT REV DESC:					
	DIMENSION UNITS: INCH	SCALE: 3:1	EC NO: 689237				
	GENERAL TOLERANCES (UNLESS SPECIFIED)	4 PLACES ±	DRWN: JHUANG18	2021/12/10	LC QUAD ADAPTER WITH SHUTTERS SMALL FLANGE, SNAP MOUNT		
	ANGULAR TOL ± °	3 PLACES ±	CHKD: IGUMIN	2021/12/21			
DIVISIONAL SYMBOLS	2 PLACES ±	APPR: IGUMIN	2021/12/21	DOCUMENT NUMBER: SD-106123-X400			
1 PLACE ±	1 PLACE ±	INITIAL REVISION:	2005/12/06				DOC TYPE: PSD
0 PLACES ±	0 PLACES ±	DRWN: PGIBLIN	2005/12/06	MATERIAL NUMBER: SEE TABLE			
DRAFT WHERE APPLICABLE MUST REMAIN WITHIN DIMENSIONS	THIRD ANGLE PROJECTION	APPR: IGUMIN	2005/12/06				CUSTOMER: GENERAL MARKET
				SERIES: 106123			
							SHEET NUMBER: 1 OF 1