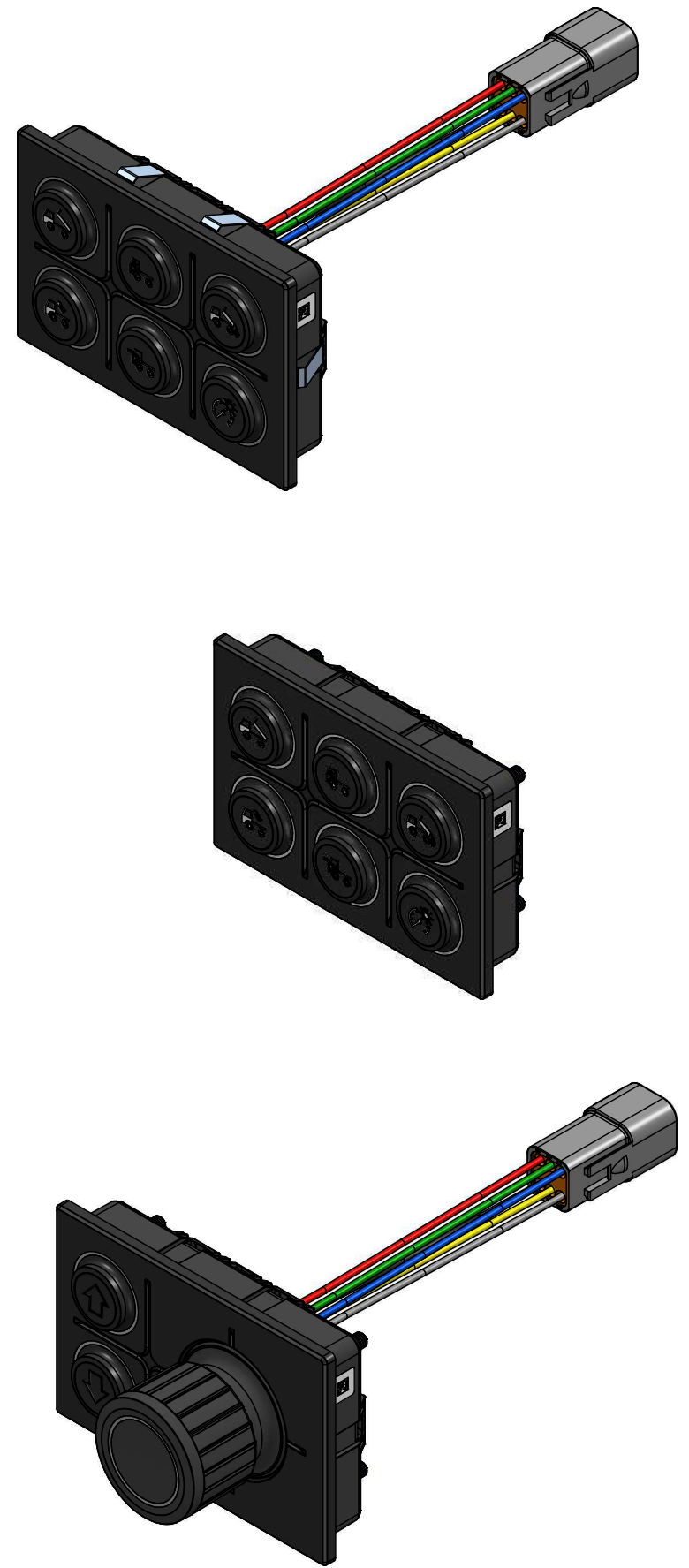


# Design In Kits for S09 Rugged Keypads

exemplary representation of individual variants



revision	zone	date	description		RP - no.
01	-	10.01.2022	initial edition		1026
-	-	-			-
-	-	-			-
-	-	-			-
-	-	-			-
-	-	-			-

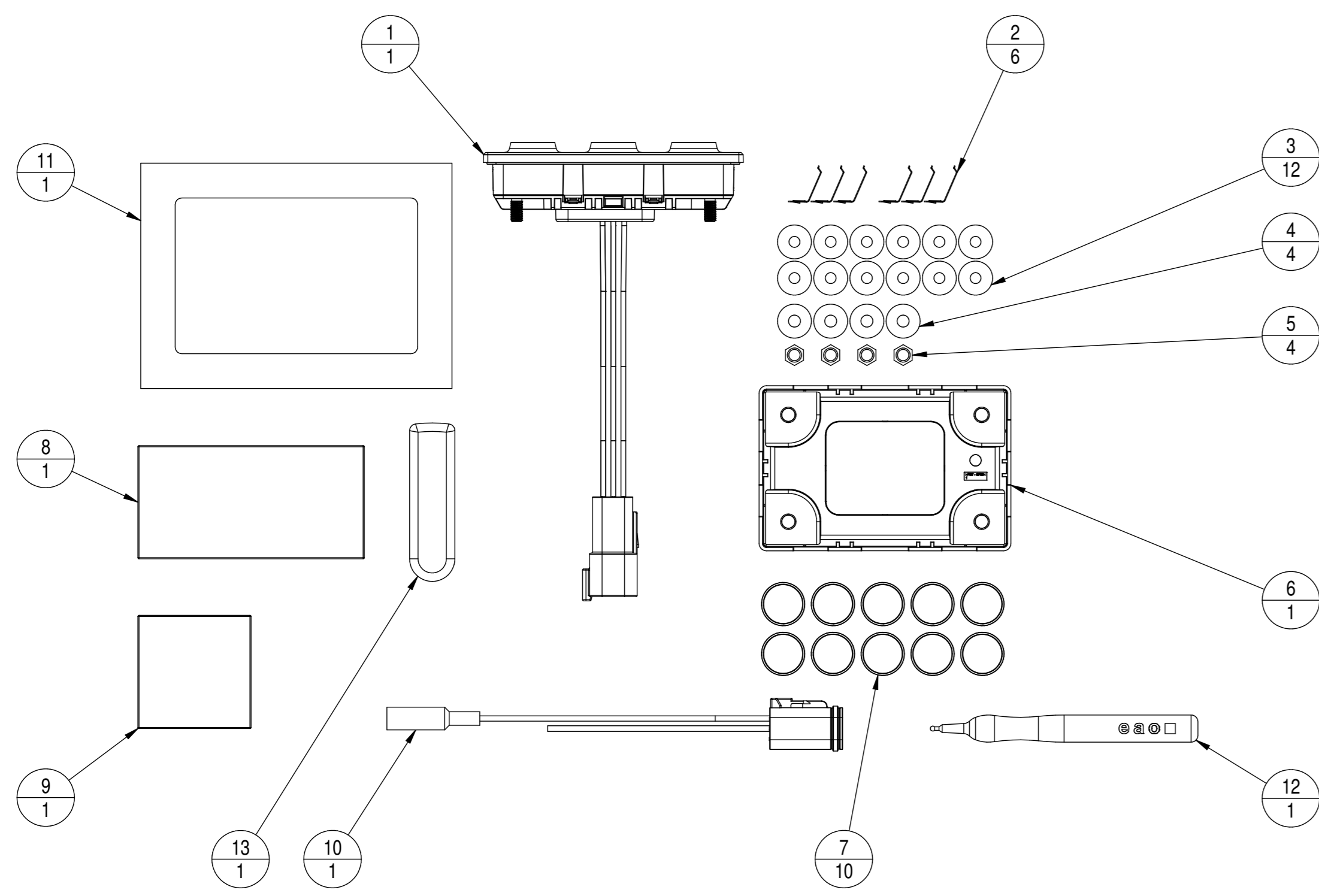
- sheet 1: cover
- sheet 2: scope of delivery CAN keypad
- sheet 3: scope of delivery CAN RCC
- sheet 4: scope of delivery hardwired keypad 12 V
- sheet 5: scope of delivery hardwired keypad 24 V
- sheet 6: mounting specifications - assembly CAN keypad
- sheet 7: mounting specifications - assembly CAN RCC
- sheet 8: mounting specifications - assembly hardwired
- sheet 9: circuit diagrams - electrical connection

description				S09 outdoor Design-In Kits		drawing no.	2002940001		revision	01				
<b>eao</b> <span style="color: red;">■</span> EAO Automotive GmbH & Co. KG Richard-Wagner-Straße 3 08209 Auerbach GERMANY				scale	1:2	format	A 3	weight	-	document type		status		
				1st angle projection		all dimensions are in millimeters		product information		only for information				
				drawn	10.01.2022	name	EBJ		date	17.01.2022		sheet no.	1/9	
				approved	17.01.2022		SCR							

revision	date	description	FBP-no
01	10.01.2022	initial edition	1006
-	-	-	-
-	-	-	-
-	-	-	-

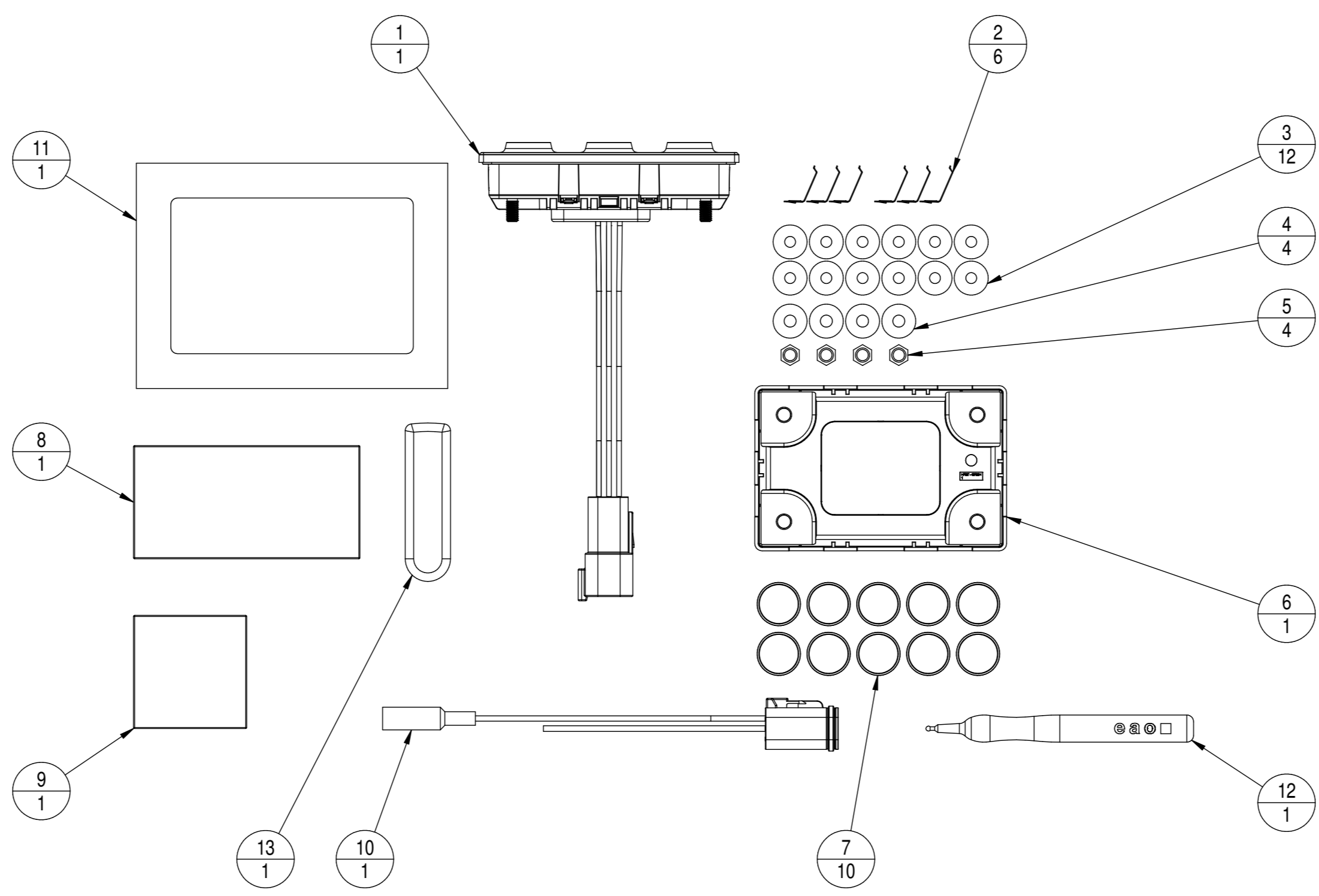
## scope of delivery CAN keypad

### CANopen Design- in kit - 09-0A22.1111



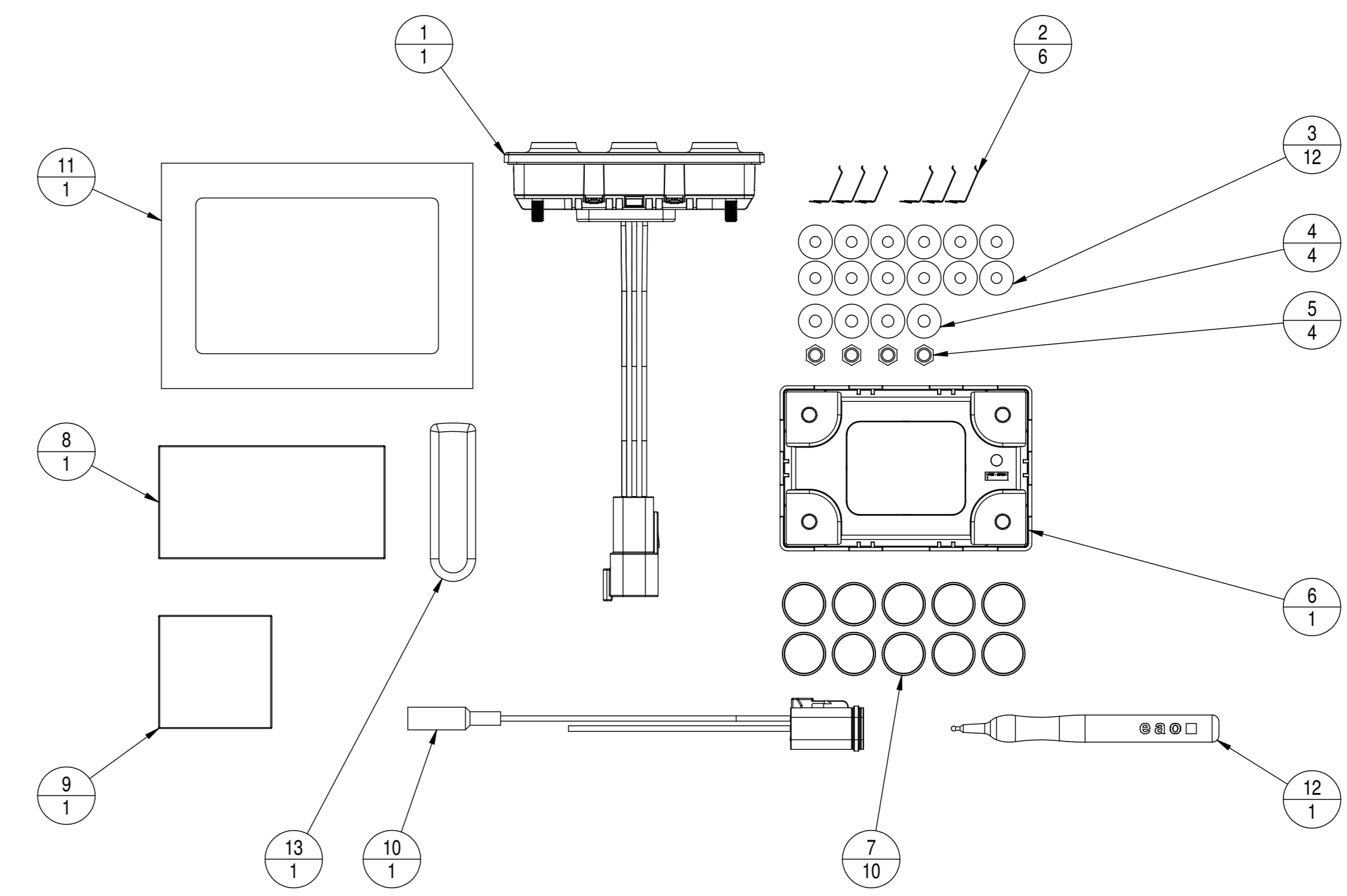
CANopen Design- in kit - 09-0A22.1111			
pos.	description	qty.	comment
1	CAN IP67 keypad; CANopen; Screw-in; LoadDump B; RGB	1	
2	retaining clip for 2 mm panel	6	
3	rubber washer 4,8x15x1	12	quantity depending on panel thickness: 1 mm: 0 per stud 2 mm: 1 per stud 3 mm: 2 per stud 4 mm: 3 per stud
4	washer DIN9021 stainless A2	4	
5	nut	4	
6	coupler	1	
7	symbol insert	10	graphical symbols: 1x 09-OS12.5005 acc. to IEC 60417 1x 09-OS12.5006 acc. to IEC 60417 1x 09-OS12.1388 acc. to DIN ISO 7000 1x 09-OS12.0244 acc. to DIN ISO 7000 1x 09-OS12.2810 acc. to DIN ISO 7000 1x 09-OS12.2811 acc. to DIN ISO 7000 1x 09-OS12.1387 acc. to DIN ISO 7000 1x 09-OS12.0085 acc. to DIN ISO 7000 2x 09-OS12.0251 acc. to DIN ISO 7000
8	power supply	1	
9	plug adapter	1	
10	adapter cable keypad	1	
11	mounting frame aluminium 2 mm	1	
12	insert tool	1	09-0A00.0001
13	USB-Stick	1	

### J1939 Design- in kit - 09-0A12.1111



J1939 Design- in kit - 09-0A12.1111			
pos.	description	qty.	comment
1	CAN IP67 keypad; J1939; Screw-in; LoadDump B; RGB	1	
2	retaining clip for 2 mm panel	6	
3	rubber washer 4,8x15x1	12	quantity depending on panel thickness: 1 mm: 0 per stud 2 mm: 1 per stud 3 mm: 2 per stud 4 mm: 3 per stud
4	washer DIN9021 stainless A2	4	
5	nut	4	
6	coupler	1	
7	symbol insert	10	graphical symbols: 1x 09-OS12.5005 acc. to IEC 60417 1x 09-OS12.5006 acc. to IEC 60417 1x 09-OS12.1388 acc. to DIN ISO 7000 1x 09-OS12.0244 acc. to DIN ISO 7000 1x 09-OS12.2810 acc. to DIN ISO 7000 1x 09-OS12.2811 acc. to DIN ISO 7000 1x 09-OS12.1387 acc. to DIN ISO 7000 1x 09-OS12.0085 acc. to DIN ISO 7000 2x 09-OS12.0251 acc. to DIN ISO 7000
8	power supply	1	
9	plug adapter	1	
10	adapter cable keypad	1	
11	mounting frame aluminium 2 mm	1	
12	insert tool	1	09-0A00.0001
13	USB-Stick	1	

### CANopen safety Design- in kit - 09-0A32.1111



CANopen safety Design- in kit - 09-0A32.1111			
pos.	description	qty.	comment
1	CAN IP67 keypad; CANopen Safety - BS 10 s; Screw-in; LoadDump B; RGB	1	
2	retaining clip for 2 mm panel	6	
3	rubber washer 4,8x15x1	12	quantity depending on panel thickness: 1 mm: 0 per stud 2 mm: 1 per stud 3 mm: 2 per stud 4 mm: 3 per stud
4	washer DIN9021 stainless A2	4	
5	nut	4	
6	coupler	1	
7	symbol insert	10	graphical symbols: 1x 09-OS12.5005 acc. to IEC 60417 1x 09-OS12.5006 acc. to IEC 60417 1x 09-OS12.1388 acc. to DIN ISO 7000 1x 09-OS12.0244 acc. to DIN ISO 7000 1x 09-OS12.2810 acc. to DIN ISO 7000 1x 09-OS12.2811 acc. to DIN ISO 7000 1x 09-OS12.1387 acc. to DIN ISO 7000 1x 09-OS12.0085 acc. to DIN ISO 7000 2x 09-OS12.0251 acc. to DIN ISO 7000
8	power supply	1	
9	plug adapter	1	
10	adapter cable keypad	1	
11	mounting frame aluminium 2 mm	1	
12	insert tool	1	09-0A00.0001
13	USB-Stick	1	

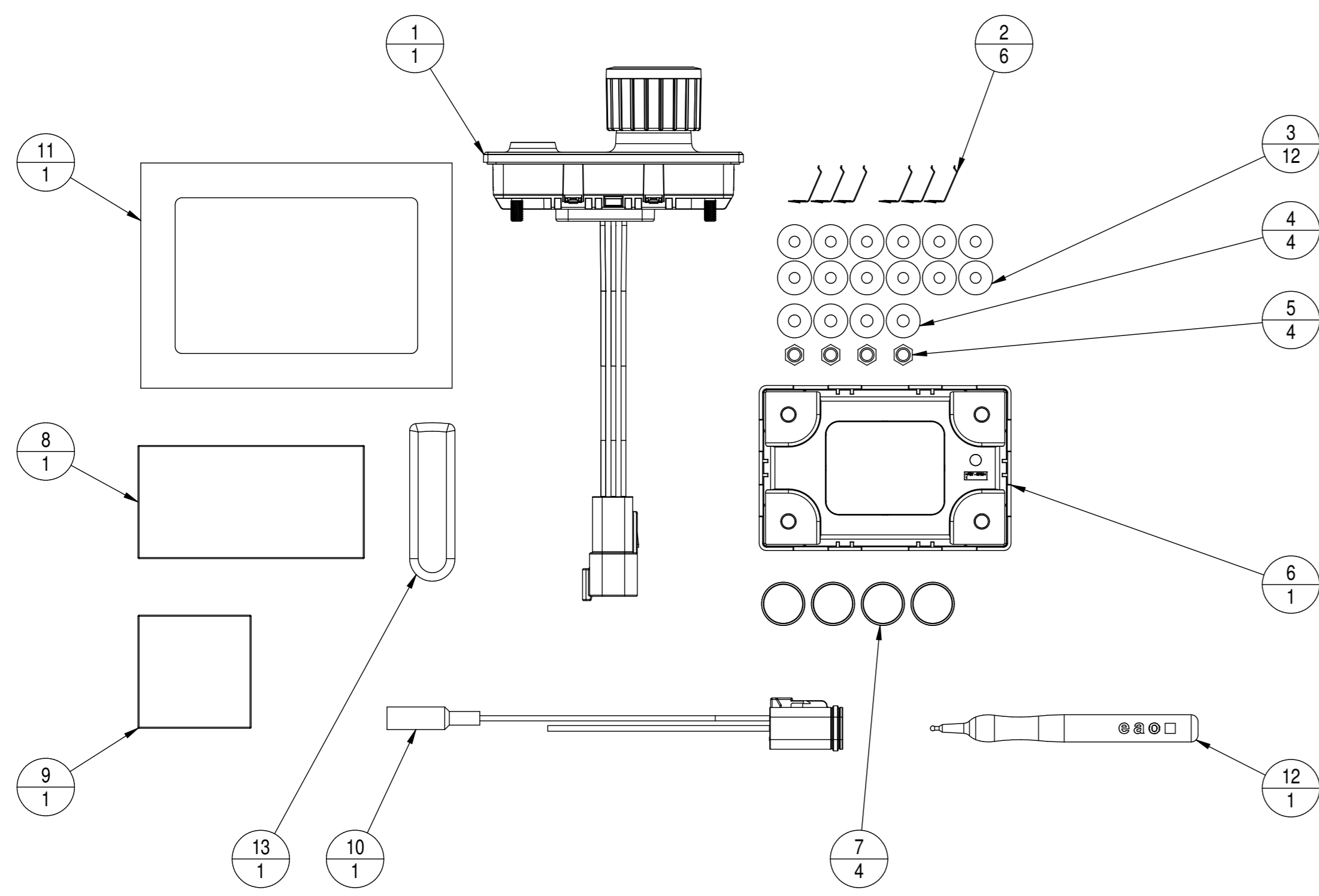
description		S09 outdoor Design-In Kits		drawing no.	revision
eao		scale	1:2	2002940001	01
1st angle projection		format	A 0	status	
all dimensions are in millimeters		weight	-	only for information	
drawn		document type	product information	date	name
approved		drawn	EBJ	10.01.2022	EBJ
approved		approved	SCR	17.01.2022	SCR
		sheet no.	2/9		



revision	zone	date	description	FBP-no.
01	-	10.01.2022	initial edition	1006
-	-	-	-	-
-	-	-	-	-
-	-	-	-	-
-	-	-	-	-

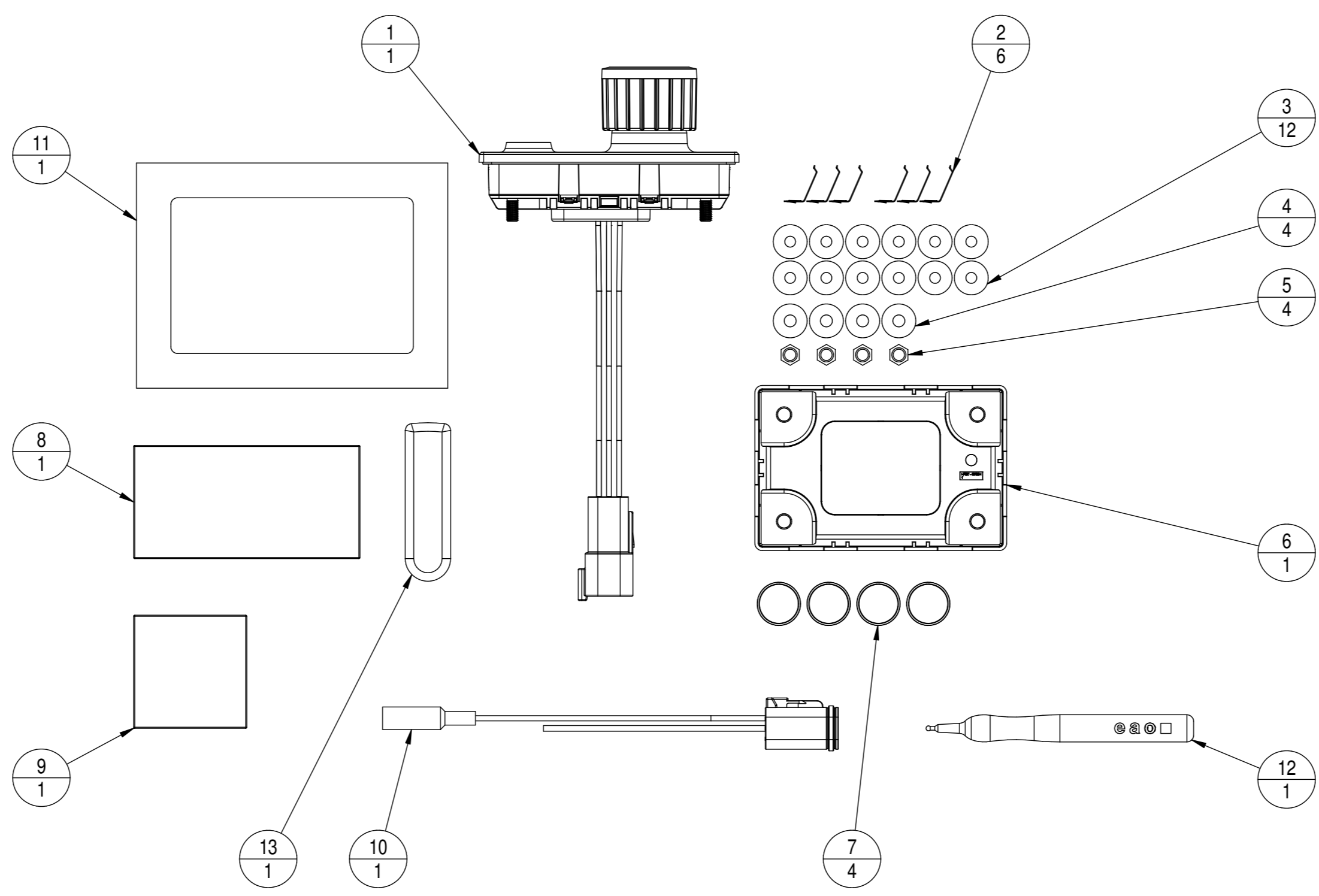
### scope of delivery CAN RCC

RCC CANopen Design- in kit - 09-1A22.1111



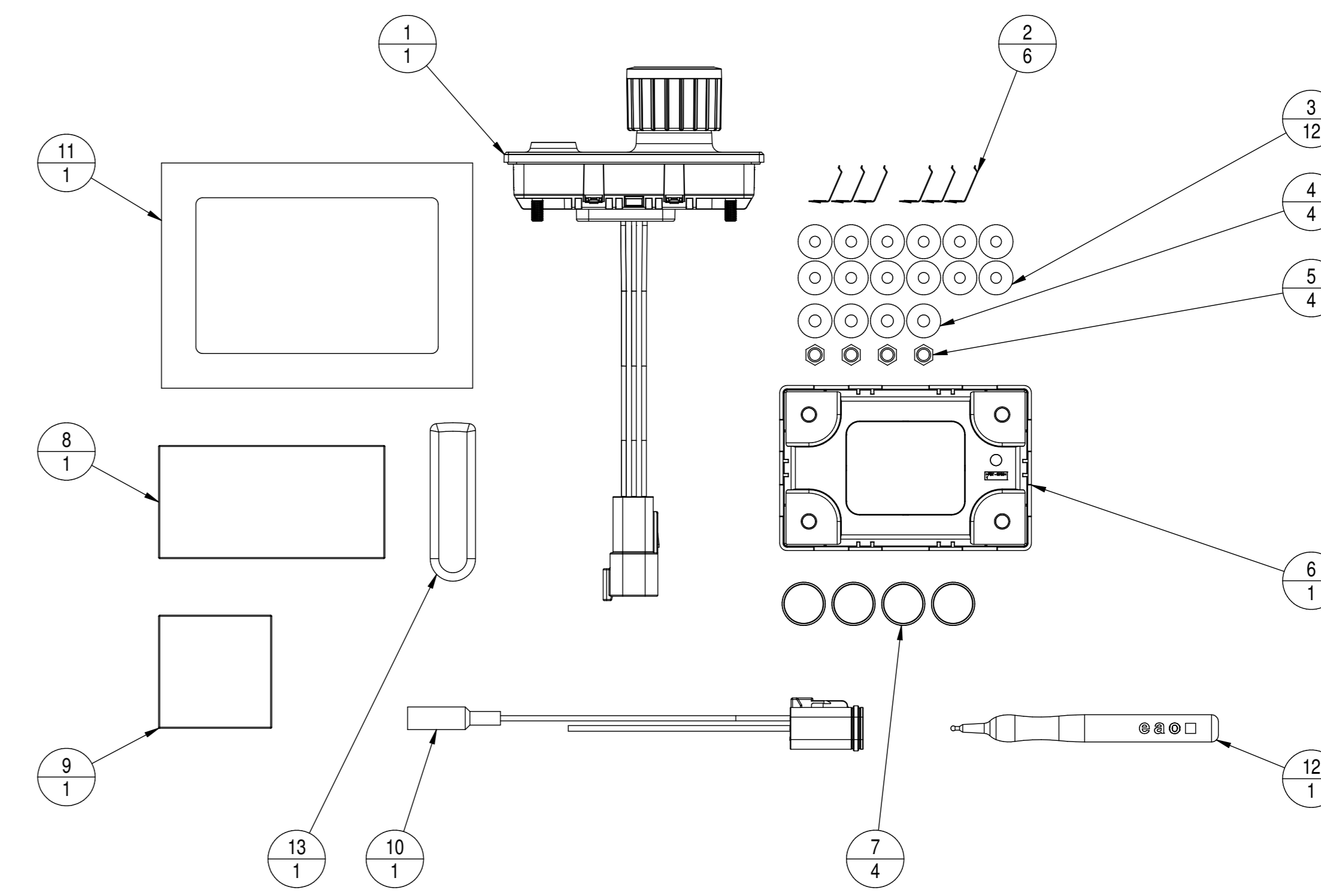
pos.	description	qty.	comment
1	CAN IP67 RCC; CANopen; Screw-in; LoadDump B; RGB	1	
2	retaining clip for 2 mm panel	6	
3	rubber washer 4,8x15x1	12	quantity depending on panel thickness: 1 mm: 0 per stud 2 mm: 1 per stud 3 mm: 2 per stud 4 mm: 3 per stud
4	washer DIN9021 stainless A2	4	
5	nut	4	
6	coupler	1	
7	symbol insert	4	graphical symbols: 1x 09-0S12.2810 acc. to DIN ISO 7000 1x 09-0S12.2811 acc. to DIN ISO 7000 2x 09-0S12.0251 acc. to DIN ISO 7000
8	power supply	1	
9	plug adapter	1	
10	adapter cable keypad	1	
11	mounting frame aluminium 2 mm	1	
12	insert tool	1	09-0A00.0001
13	USB-Stick	1	

RCC J1939 Design- in kit - 09-1A12.1111



pos.	description	qty.	comment
1	CAN IP67 RCC; J1939; Screw-in; LoadDump B; RGB	1	
2	retaining clip for 2 mm panel	6	
3	rubber washer 4,8x15x1	12	quantity depending on panel thickness: 1 mm: 0 per stud 2 mm: 1 per stud 3 mm: 2 per stud 4 mm: 3 per stud
4	washer DIN9021 stainless A2	4	
5	nut	4	
6	coupler	1	
7	symbol insert	4	graphical symbols: 1x 09-0S12.2810 acc. to DIN ISO 7000 1x 09-0S12.2811 acc. to DIN ISO 7000 2x 09-0S12.0251 acc. to DIN ISO 7000
8	power supply	1	
9	plug adapter	1	
10	adapter cable keypad	1	
11	mounting frame aluminium 2 mm	1	
12	insert tool	1	09-0A00.0001
13	USB-Stick	1	

RCC CANopen safety Design- in kit - 09-1A32.1111



pos.	description	qty.	comment
1	CAN IP67 RCC; CANopen Safety - BS 10 s; Screw-in; LoadDump B; RGB	1	
2	retaining clip for 2 mm panel	6	
3	rubber washer 4,8x15x1	12	quantity depending on panel thickness: 1 mm: 0 per stud 2 mm: 1 per stud 3 mm: 2 per stud 4 mm: 3 per stud
4	washer DIN9021 stainless A2	4	
5	nut	4	
6	coupler	1	
7	symbol insert	4	graphical symbols: 1x 09-0S12.2810 acc. to DIN ISO 7000 1x 09-0S12.2811 acc. to DIN ISO 7000 2x 09-0S12.0251 acc. to DIN ISO 7000
8	power supply	1	
9	plug adapter	1	
10	adapter cable keypad	1	
11	mounting frame aluminium 2 mm	1	
12	insert tool	1	09-0A00.0001
13	USB-Stick	1	

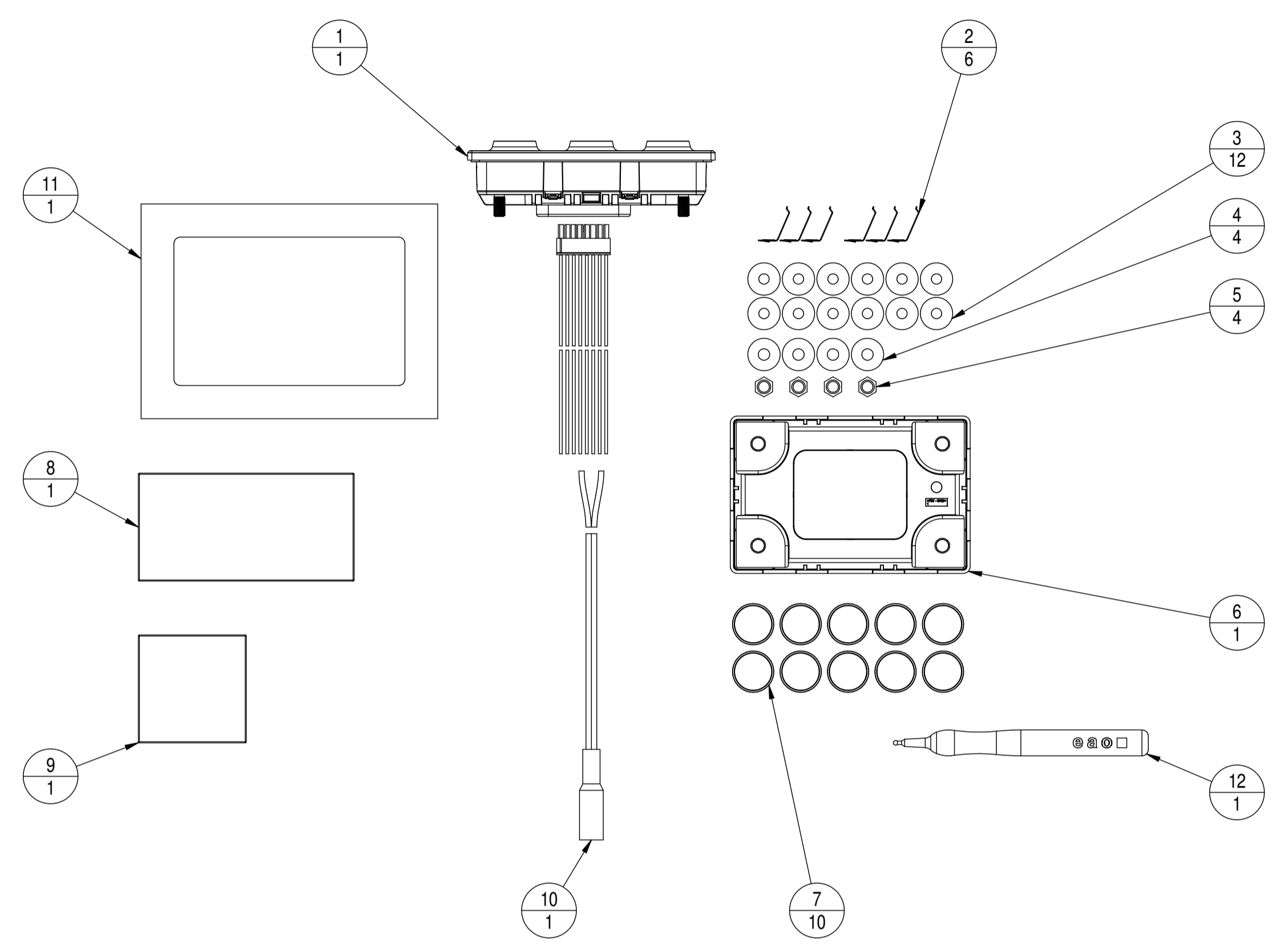
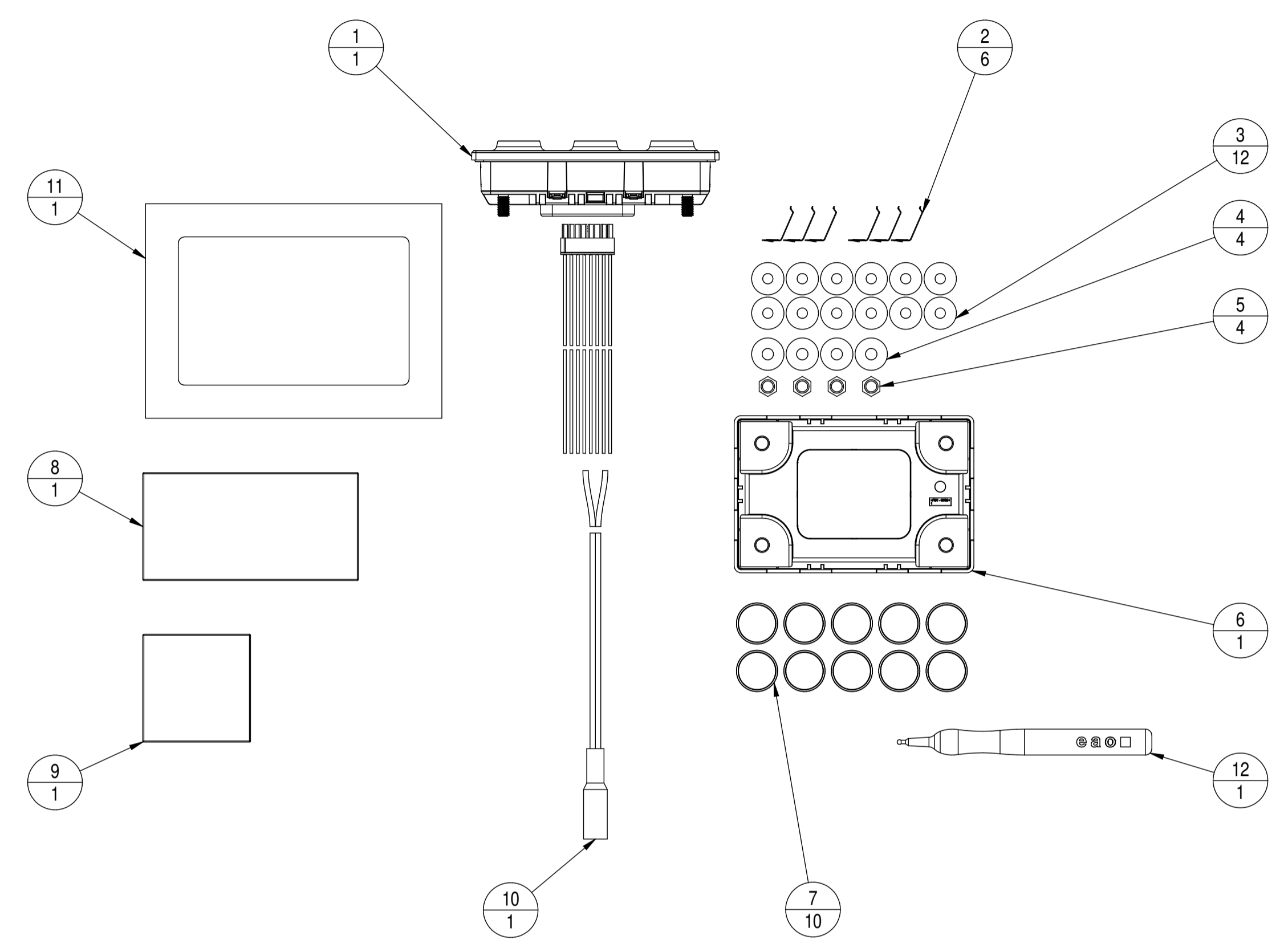
© EAO - Automotive GmbH & Co. KG. Alle Rechte vorbehalten. Nachdruck, Vervielfältigung und Verbreitung, auch auszugsweise, ist ohne schriftliche Genehmigung der EAO Automotive GmbH & Co. KG. EAO ist ein eingetragenes Warenzeichen der EAO Automotive GmbH & Co. KG. EAO ist ein eingetragenes Warenzeichen der EAO Automotive GmbH & Co. KG. EAO ist ein eingetragenes Warenzeichen der EAO Automotive GmbH & Co. KG.

revision	zone	date	description	RP - no.
01	-	10.01.2022	initial edition	1026
-	-	-	-	-
-	-	-	-	-
-	-	-	-	-
-	-	-	-	-

# scope of delivery hardwired keypad 12 V

## Keypad Design-in kit 12V - 09-0A72.3132

## Keypad Design-in kit 12V with Namur - 09-0A72.3152



Keypad Design-in kit 12V - 09-0A72.3132			
pos.	description	qty.	comment
1	CAN IP67 keypad; hardwired; Screw-in; 12V; LED red	1	
2	retaining clip for 2 mm panel	6	
3	rubber washer 4,8x15x1	12	quantity depending on panel thickness: 1 mm: 0 per stud 2 mm: 1 per stud 3 mm: 2 per stud 4 mm: 3 per stud
4	washer DIN9021 stainless A2	4	
5	nut	4	
6	coupler	1	
7	symbol insert	10	graphical symbols: 1x 09-OS12.5005 acc. to IEC 60417 1x 09-OS12.5006 acc. to IEC 60417 1x 09-OS12.1388 acc. to DIN ISO 7000 1x 09-OS12.0244 acc. to DIN ISO 7000 1x 09-OS12.2810 acc. to DIN ISO 7000 1x 09-OS12.2811 acc. to DIN ISO 7000 1x 09-OS12.1387 acc. to DIN ISO 7000 1x 09-OS12.0085 acc. to DIN ISO 7000 2x 09-OS12.0251 acc. to DIN ISO 7000
8	power supply	1	
9	plug adapter	1	
10	adapter cable keypad	1	
11	mounting frame aluminium 2 mm	1	
12	insert tool	1	09-0A00.0001

Keypad Design-in kit 12V with Namur - 09-0A72.3152			
pos.	description	qty.	comment
1	CAN IP67 keypad; hardwired; Screw-in; 12V with Namur; LED red	1	
2	retaining clip for 2 mm panel	6	
3	rubber washer 4,8x15x1	12	quantity depending on panel thickness: 1 mm: 0 per stud 2 mm: 1 per stud 3 mm: 2 per stud 4 mm: 3 per stud
4	washer DIN9021 stainless A2	4	
5	nut	4	
6	coupler	1	
7	symbol insert	10	graphical symbols: 1x 09-OS12.5005 acc. to IEC 60417 1x 09-OS12.5006 acc. to IEC 60417 1x 09-OS12.1388 acc. to DIN ISO 7000 1x 09-OS12.0244 acc. to DIN ISO 7000 1x 09-OS12.2810 acc. to DIN ISO 7000 1x 09-OS12.2811 acc. to DIN ISO 7000 1x 09-OS12.1387 acc. to DIN ISO 7000 1x 09-OS12.0085 acc. to DIN ISO 7000 2x 09-OS12.0251 acc. to DIN ISO 7000
8	power supply	1	
9	plug adapter	1	
10	adapter cable keypad	1	
11	mounting frame aluminium 2 mm	1	
12	insert tool	1	09-0A00.0001

description		S09 outdoor Design-In Kits		drawing no.	2002940001	revision	01
		scale	1:2	format	A1	weight	-
<small>EAO Automotive GmbH &amp; Co. KG Richard-Wagner-Straße 3 08209 Auerbach GERMANY</small>		1st angle projection		document type		product information	
all dimensions are in millimeters		date	10.01.2022	name	EBJ	sheet no.	4/9
approved		date	17.01.2022	name	SCR		

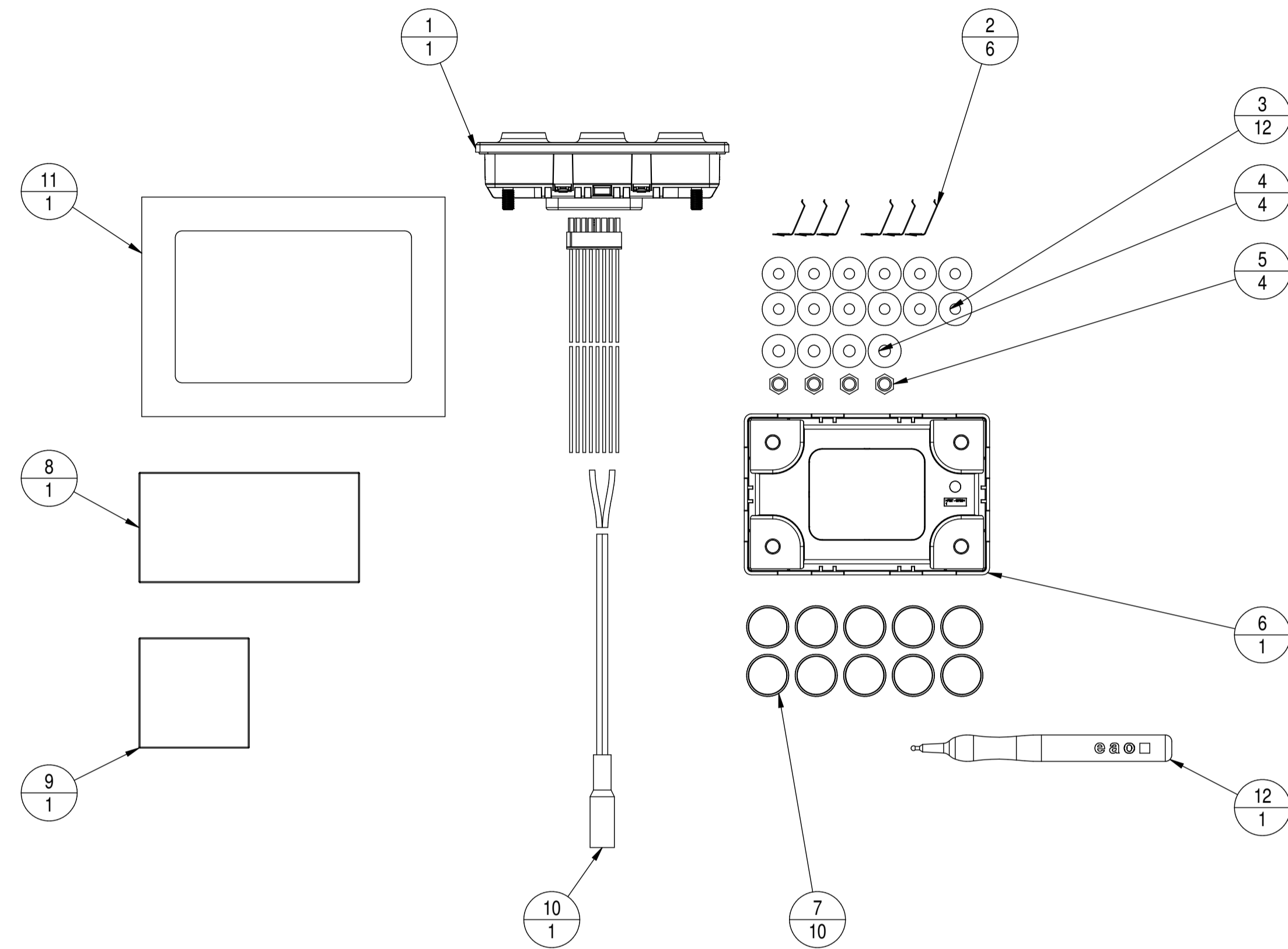
© EAO - Automotive GmbH & Co. KG. Alle Rechte vorbehalten. Die Verantwortung für die Verwendung der Produkte liegt bei dem Anwender. EAO ist nicht haftbar für Schäden, die durch die Verwendung der Produkte entstehen. Die Verantwortung für die Verwendung der Produkte liegt bei dem Anwender. EAO ist nicht haftbar für Schäden, die durch die Verwendung der Produkte entstehen.



revision	zone	date	description	RP - no.
01	-	10.01.2022	initial edition	1026
-	-	-	-	-
-	-	-	-	-
-	-	-	-	-
-	-	-	-	-
-	-	-	-	-

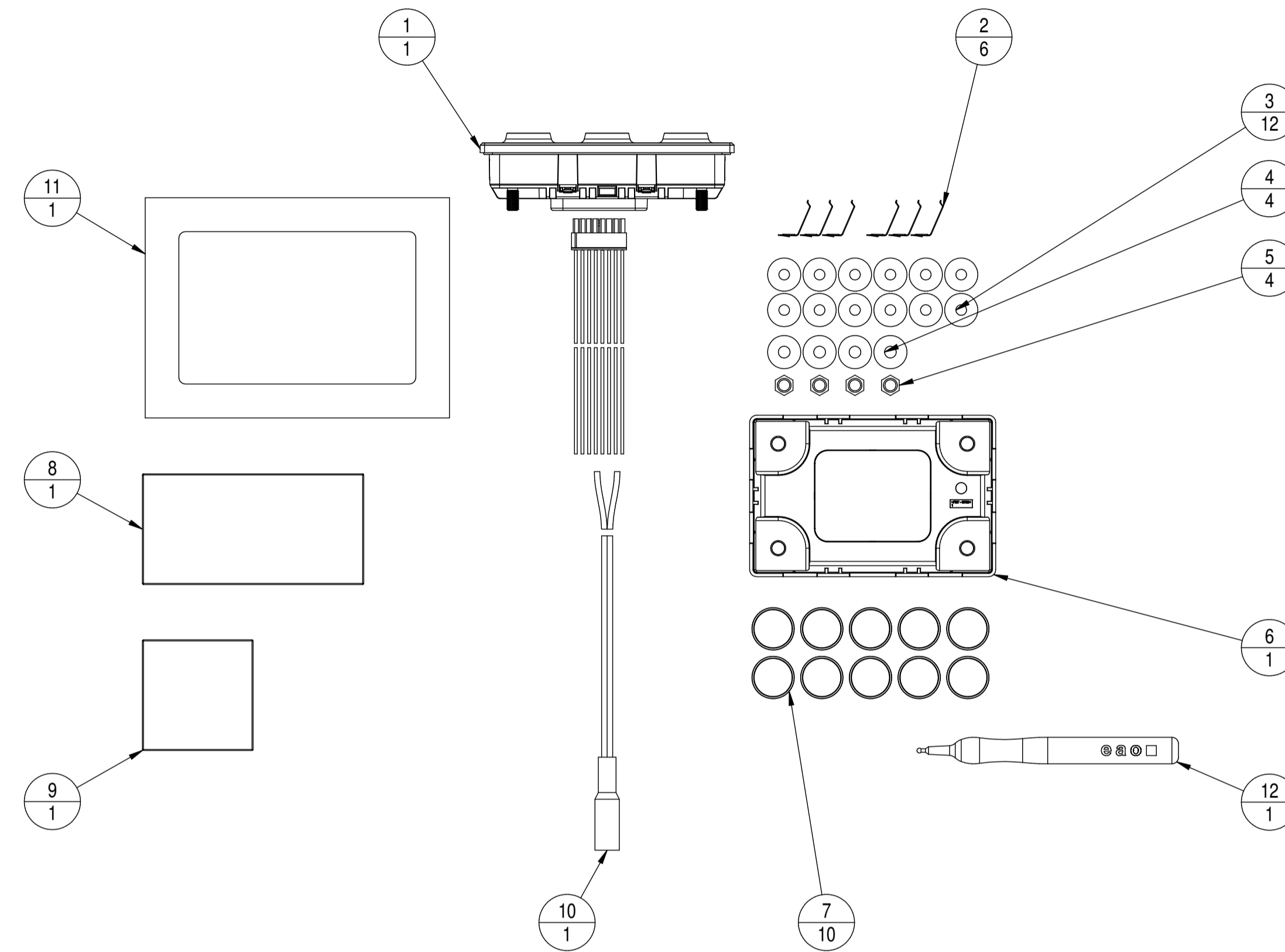
# scope of delivery hardwired keypad 24 V

## Keypad Design-in kit 24V - 09-0A72.3142



pos.	description	qty.	comment
1	CAN IP67 keypad; hardwired; Screw-in; 24V; LED red	1	
2	retaining clip for 2 mm panel	6	
3	rubber washer 4,8x15x1	12	quantity depending on panel thickness: 1 mm: 0 per stud 2 mm: 1 per stud 3 mm: 2 per stud 4 mm: 3 per stud
4	washer DIN9021 stainless A2	4	
5	nut	4	
6	coupler	1	
7	symbol insert	10	graphical symbols: 1x 09-0S12.5005 acc. to IEC 60417 1x 09-0S12.5006 acc. to IEC 60417 1x 09-0S12.1388 acc. to DIN ISO 7000 1x 09-0S12.0244 acc. to DIN ISO 7000 1x 09-0S12.2810 acc. to DIN ISO 7000 1x 09-0S12.2811 acc. to DIN ISO 7000 1x 09-0S12.1387 acc. to DIN ISO 7000 1x 09-0S12.0085 acc. to DIN ISO 7000 2x 09-0S12.0251 acc. to DIN ISO 7000
8	power supply	1	
9	plug adapter	1	
10	adapter cable keypad	1	
11	mounting frame aluminium 2 mm	1	
12	insert tool	1	09-0A00.0001

## Keypad Design-in kit 24V with Namur - 09-0A72.3162



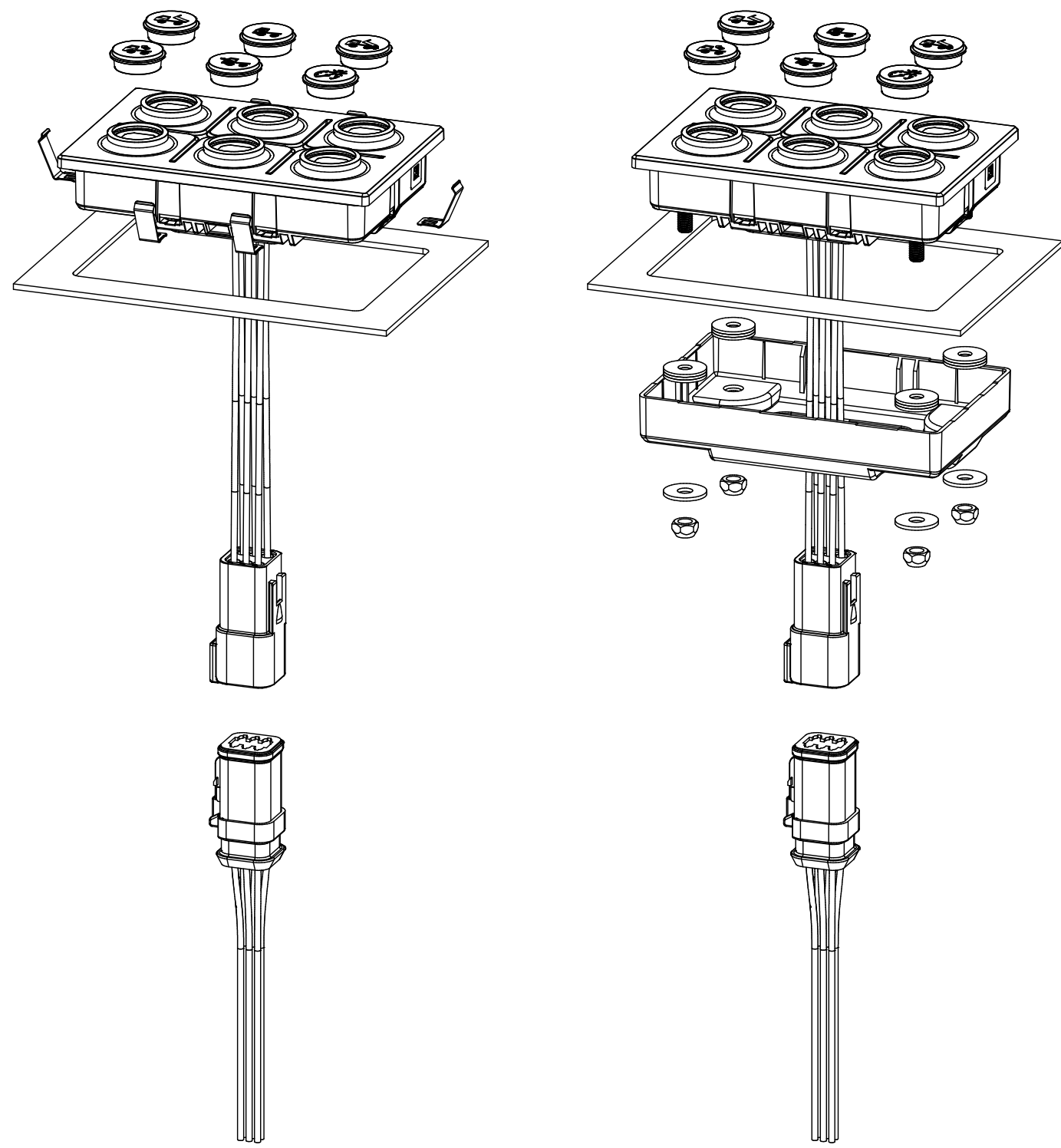
pos.	description	qty.	comment
1	CAN IP67 keypad; hardwired; Screw-in; 24V with Namur; LED red	1	
2	retaining clip for 2 mm panel	6	
3	rubber washer 4,8x15x1	12	quantity depending on panel thickness: 1 mm: 0 per stud 2 mm: 1 per stud 3 mm: 2 per stud 4 mm: 3 per stud
4	washer DIN9021 stainless A2	4	
5	nut	4	
6	coupler	1	
7	symbol insert	10	graphical symbols: 1x 09-0S12.5005 acc. to IEC 60417 1x 09-0S12.5006 acc. to IEC 60417 1x 09-0S12.1388 acc. to DIN ISO 7000 1x 09-0S12.0244 acc. to DIN ISO 7000 1x 09-0S12.2810 acc. to DIN ISO 7000 1x 09-0S12.2811 acc. to DIN ISO 7000 1x 09-0S12.1387 acc. to DIN ISO 7000 1x 09-0S12.0085 acc. to DIN ISO 7000 2x 09-0S12.0251 acc. to DIN ISO 7000
8	power supply	1	
9	plug adapter	1	
10	adapter cable keypad	1	
11	mounting frame aluminium 2 mm	1	
12	insert tool	1	09-0A00.0001

description		S09 outdoor Design-In Kits		drawing no.	2002940001	revision	01
eao		scale	1:2	format	A1	weight	-
EAO Automotive GmbH & Co. KG Richard-Wagner-Straße 3 08209 Auerbach GERMANY		document type	product information		status		
1st angle projection		all dimensions are in millimeters		only for information			
date	10.01.2022	name	EBJ	sheet no.	5/9		
approved	17.01.2022	drawn	SCR				

© EAO - Automotive GmbH & Co. KG. Alle Rechte vorbehalten. Die Verantwortung für die Verwendung der Bauteile in elektronischen Systemen liegt ausschließlich bei dem Anwender. EAO ist nicht haftbar für Schäden, die durch die Verwendung der Bauteile in elektronischen Systemen entstehen. Die Verantwortung für die Verwendung der Bauteile in elektronischen Systemen liegt ausschließlich bei dem Anwender. EAO ist nicht haftbar für Schäden, die durch die Verwendung der Bauteile in elektronischen Systemen entstehen.


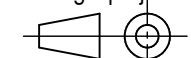
# mounting specifications assembly CAN IP67 KEYPADS

exemplary representation of the symbols



mounting and demounting of the symbol inserts with insert tool 09-0A00.0001

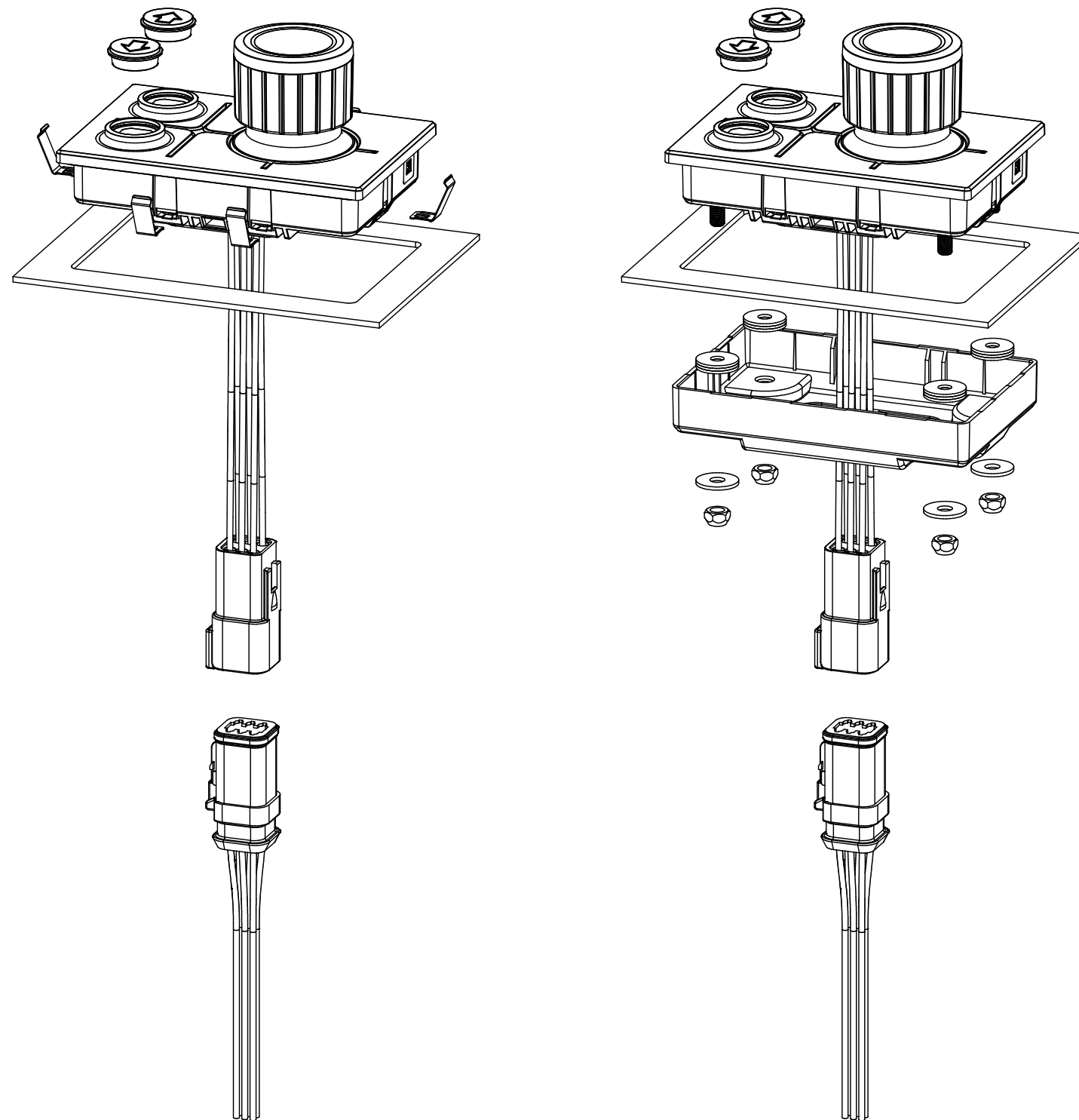
revision	zone	date	description	RP - no.
01	-	10.01.2022	initial edition	1026
-	-	-	-	-
-	-	-	-	-
-	-	-	-	-
-	-	-	-	-

description				S09 outdoor Design-In Kits		drawing no.		2002940001		revision		01			
<b>eao</b>  EAO Automotive GmbH & Co. KG Richard-Wagner-Straße 3 08209 Auerbach GERMANY				scale		1:2		format		A 3		weight		-	
				document type		product information		status		only for information					
1st angle projection 				all dimensions are in millimeters				date		10.01.2022		name		EBJ	
				approved		17.01.2022		SCR		sheet no.		6/9			

© EAO - Automotive GmbH & Co. KG  
 Strenge vertraulich. Alle Rechte ausdrücklich vorbehalten. Die Vervielfältigung und insbesondere die Verarbeitung in elektronischen Systemen ist ohne schriftliche Genehmigung der EAO - Automotive GmbH & Co. KG nicht gestattet.  
 Strictly confidential. All rights strictly reserved. Reproduction and processing of data in electronic systems or in any form whatever is not permitted without written authority of EAO - Automotive GmbH & Co. KG.


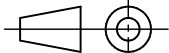
# mounting specifications assembly CAN IP67 RCC

exemplary representation of the symbols



mounting and demounting of the symbol inserts with insert tool 09-0A00.0001

revision	zone	date	description	RP - no.
01	-	10.01.2022	initial edition	1026
-	-	-	-	-
-	-	-	-	-
-	-	-	-	-
-	-	-	-	-

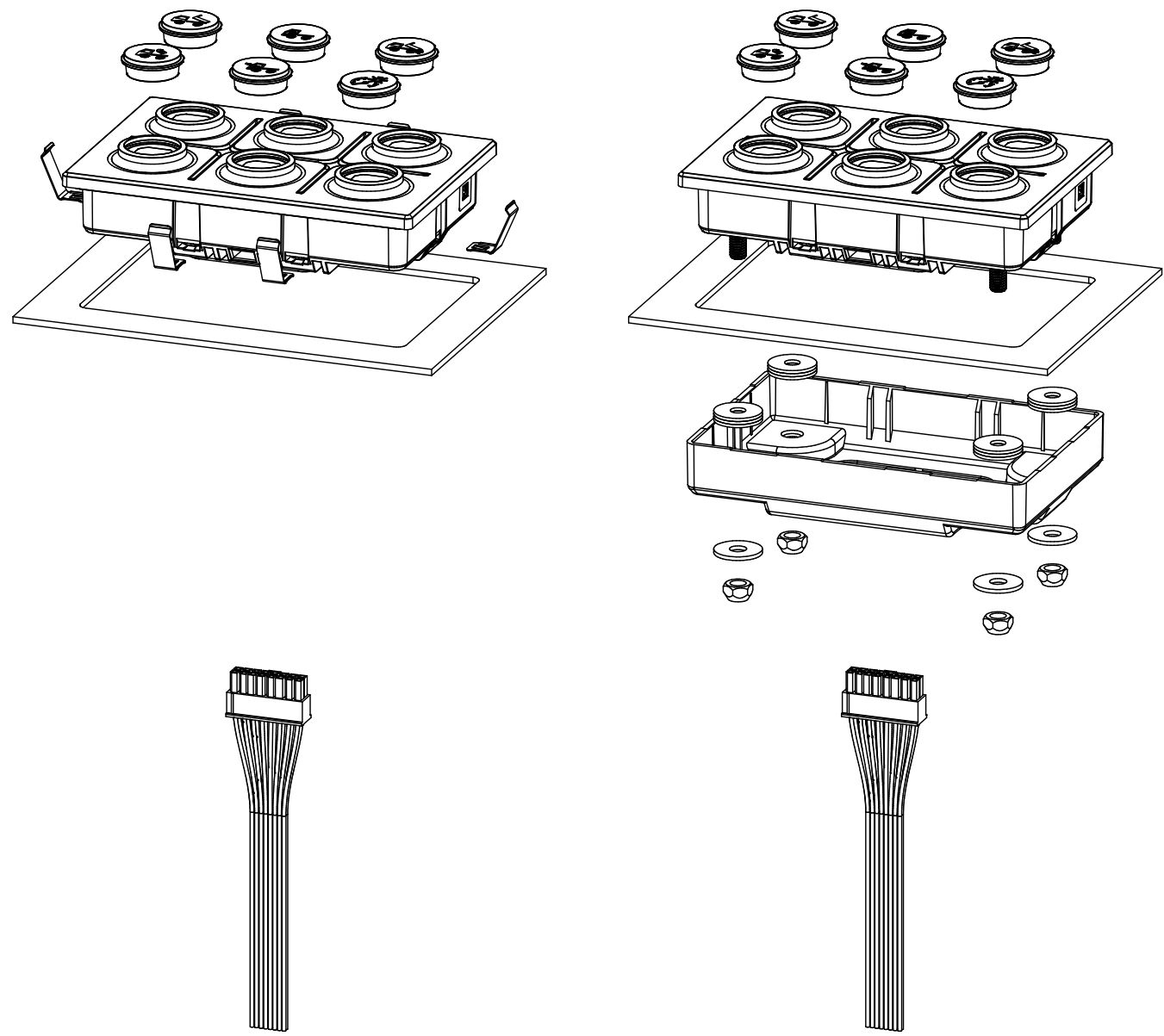
description			S09 outdoor Design-In Kits		drawing no.	2002940001	revision	01
<b>eao</b> 			scale	1:2	format	A3	weight	-
EAO Automotive GmbH & Co. KG Richard-Wagner-Straße 3 08209 Auerbach GERMANY			document type	product information		status only for information		
1st angle projection 			all dimensions are in millimeters		date	10.01.2022	name	EBJ
					approved	17.01.2022	SCR	sheet no. 7/9

© EAO - Automotive GmbH & Co. KG  
 Streng vertraulich. Alle Rechte ausdrücklich vorbehalten. Die Vervielfältigung und insbesondere die Verarbeitung in elektronischen Systemen ist ohne schriftliche Genehmigung der EAO - Automotive GmbH & Co. KG nicht gestattet.  
 Strictly confidential. All rights strictly reserved. Reproduction and processing of data in electronic systems or in any form whatever is not permitted without written authority of EAO - Automotive GmbH & Co. KG.

# mounting specifications assembly hardwired IP67 KEYPADS

revision	zone	date	description	RP - no.
01	-	10.01.2022	initial edition	1026
-	-	-	-	-
-	-	-	-	-
-	-	-	-	-
-	-	-	-	-

exemplary representation of the symbols



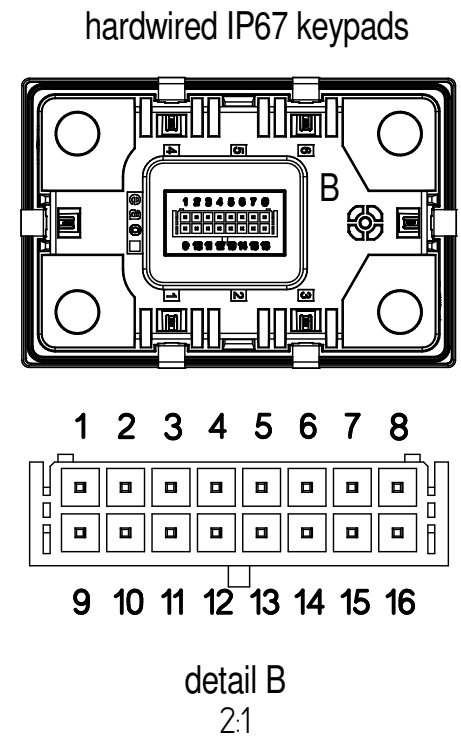
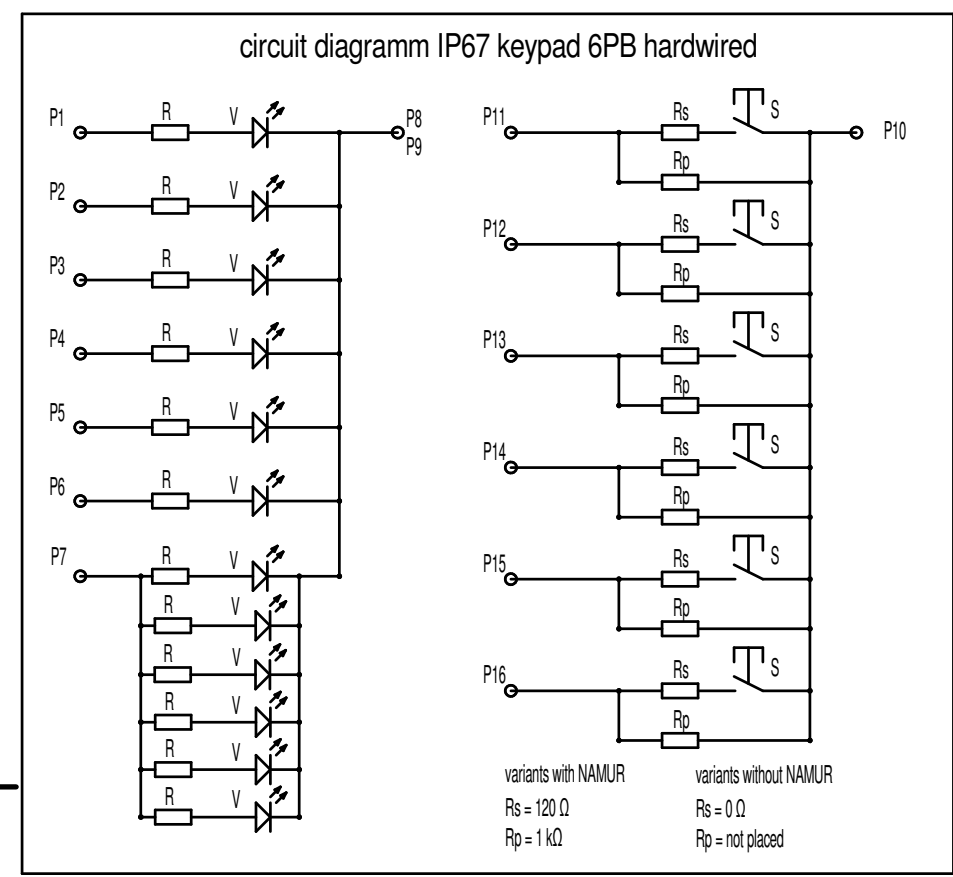
mounting and demounting of the symbol inserts with insert tool 09-0A00.0001

description				S09 outdoor Design-In Kits		drawing no.	2002940001	revision	01						
 EAO Automotive GmbH & Co. KG Richard-Wagner-Straße 3 08209 Auerbach GERMANY		scale	1:2	format	A 3	weight	-	document type		product information		status		only for information	
		1st angle projection				all dimensions are in millimeters		date	10.01.2022	name	EBJ	sheet no.	8/9		
		approved	17.01.2022												

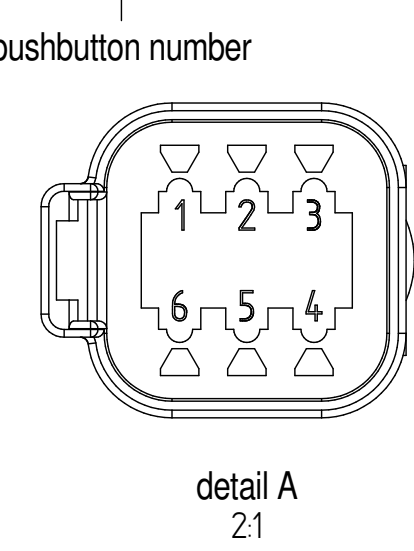
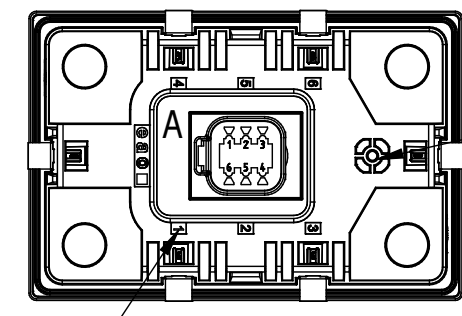


revision	zone	date	description	RP - no.
01	-	10.01.2022	initial edition	1026
-	-	-	-	-
-	-	-	-	-
-	-	-	-	-
-	-	-	-	-

# circuit diagrams - electrical connection



CAN IP67 keypads and RCC



connections WR-MPC3 16		
mating plug: Wuerth 662 016 113 322		
pin no.	signal	comment
pin 1	supply voltage haloring button 1	12 VDC or 24 VDC **
pin 2	supply voltage haloring button 2	12 VDC or 24 VDC **
pin 3	supply voltage haloring button 3	12 VDC or 24 VDC **
pin 4	supply voltage haloring button 4	12 VDC or 24 VDC **
pin 5	supply voltage haloring button 5	12 VDC or 24 VDC **
pin 6	supply voltage haloring button 6	12 VDC or 24 VDC **
pin 7	supply voltage symbol lighting	12 VDC or 24 VDC **
pin 8	GND lighting	
pin 9	GND lighting	
pin 10	common potential buttons	
pin 11	signal button 1	max. current 30 mA
pin 12	signal button 2	max. current 30 mA
pin 13	signal button 3	max. current 30 mA
pin 14	signal button 4	max. current 30 mA
pin 15	signal button 5	max. current 30 mA
pin 16	signal button 6	max. current 30 mA

\*\* depending on purchased variant

connections 6 - DT ( DT04-6P)			
mating plug: Deutsch DT06-6S			
matching contacts: e.g. 1062-16-0122			
matching wedge: W6-S			
pin no.	signal	wire	comment
pin 1	GND	black	
pin 2	CAN High	yellow	
pin 3	WakeUp Out	grey	
pin 4	WakeUp In	blue	
pin 5	CAN Low	green	
pin 6	Vcc	red	8 - 32 VDC

description				drawing no.		revision		
S09 outdoor Design-In Kits				2002940001		01		
 EAO Automotive GmbH & Co. KG Richard-Wagner-Straße 3 08209 Auerbach GERMANY	scale	format	weight	document type		status		
	1:1	A 3	-	product information		only for information		
1st angle projection			all dimensions are in millimeters			date	name	sheet no.
						drawn	10.01.2022	EBJ
						approved	17.01.2022	SCR
						9/9		

© EAO - Automotive GmbH & Co. KG  
 Strictly confidential. All rights strictly reserved. Reproduction and processing of data in electrical systems or in any form whatsoever is not permitted without written authority of EAO - Automotive GmbH & Co. KG.  
 Die Vervielfältigung und insbesondere die Verarbeitung in elektronischen Systemen ist ohne schriftliche Genehmigung der EAO - Automotive GmbH & Co. KG nicht gestattet.